

PRODUCT CATALOG

INDUSTRIAL **SAFETY**

Safe systems for mechanical engineering and intralogistics

HELLO WIELAND ELECTRIC

Tradition and innovation - Wieland is representing the synergy of these two guiding principles for more than 100 years.


At Wieland Electric, we are proud to be the world market leader in electrical connections, and have been focusing on safe and innovative technologies since our founding. The beginnings of our success lie in the legendary Wieland Clamp, the first-ever safe electrical connector. Since then, innovation has pushed us to develop safer and more efficient ways to electrify the world.

Expanding from a component-only manufacturer, we are now one of the leading suppliers of innovative, future-oriented, and complete electrical solutions. We divide our focus into two main areas, Building and Industry. Our Building Solutions focus on decentralized power distribution and pluggable connections in all kinds of architectures and infrastructures. From in-store displays and lighting to hospitals and airports, and any structure in between – you build it, we power it! Our Industry Solutions center around functional safety for machines, industrial networking, and power distribution.

At Wieland, we keep your productivity going in mechanical engineering, wind power, material handling, HVAC, and many other industries.

We are at our customers' side in every step of the project, right from the start. Our experts offer consulting, on-site services, and technical support. We see ourselves as service providers, trainers and subject-matter experts.


1910
Founded in
Bamberg

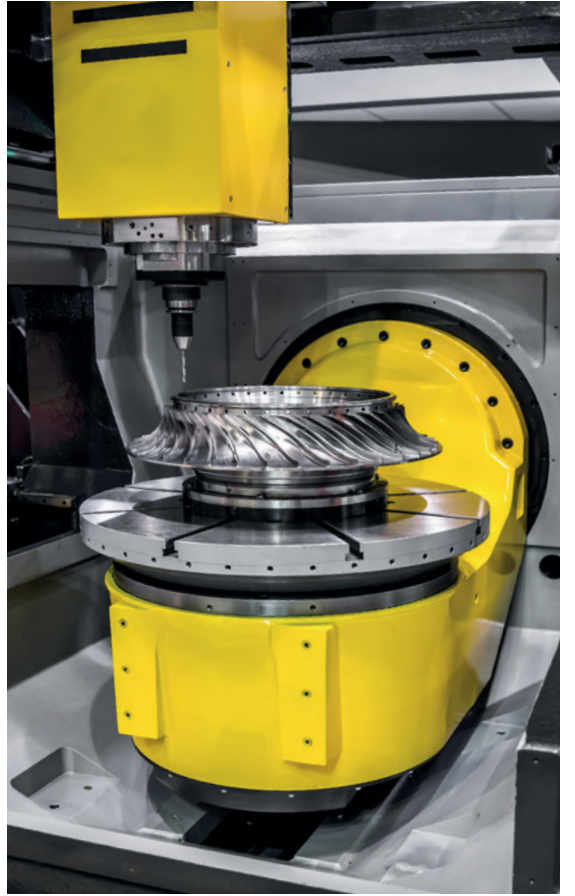

1700+
Employees
worldwide


3
Production
sites


70+
Countries
worldwide

CONTENTS

Safety Controller	Preface	samos [®] PRO COMPACT	8		
		samos [®] PLAN 6	Programming tool	10	
		SP-COP2-EN / SP-COP2-ENI	COMPACT Module	14	
		SP-COP2-EN-M / SP-COP2-ENI-M	MOTION Module	15	
		SP-SDIO / SP-SDI	I/O Module / Input Module	16	
		SP-SAR4 / SP-SAC4 / SP-SACR22	Analog Module	18	
		SP-DIO	Standard I/O Module	19	
			Gateway	20	
		Accessories	21		
Safety Relays	Preface	samos [®]	24		
		SA-BM	Basic Module	28	
		SA-IN	Input Module	29	
		SA-OR-S1 / SA-OR-S2	Relais Output Module	30	
Safety Relays	Preface	safe RELAY	32		
	Overview		34		
	Basic Device	SNO 4083KM	Monitoring of emergency stop, safety gates and light barriers	38	
		SNO 4062K / KM	Monitoring of emergency stop, safety gates and light barriers	40	
		SNO 4063K / KM	Monitoring of emergency stop, safety gates and light barriers	42	
		SNA 4043K / KM / KE, SNA 4044K / KM	Monitoring of emergency stop, safety gates and light barriers	44	
		SNA 4063K / KM	Monitoring of emergency stop, safety gates and light barriers	46	
		SNO 4003K	Monitoring of emergency stop + safety gates	48	
		SNO 1012K	Monitoring of emergency stop + safety gates	50	
		SNS 4074K / SNS 4084K	Speed monitor with sensors	52	
		SVM 4001K	Sensorless standstill monitor	54	
		SNZ 4052K	Two-hand relay type IIC	56	
	Basic Device with time function	SNV 4063KL	Monitoring of emergency stop, safety gates and light barriers, OFF-delayed	58	
		SNV 4063KP	Monitoring of emergency stop, safety gates and light barriers, ON-delayed	60	
		SNV 4074SL / SNV 4076SL	Monitoring of emergency stop, safety gates and light barriers, OFF-delayed	62	
		SNV 4274SL / SNV 4074ST	Monitoring of emergency stop, safety gates and light barriers, OFF-/ON-delayed	64	
	Safe Contact Expansion Relay	SNE 1	Contact Expansion	66	
		SNE 4004K / KV	Contact Expansion	68	
		SNE 4024K	Contact Expansion	70	
	Safety Sensors	Preface	sensor PRO	72	
		Rotary encoders	SENC	Rotary encoders	74
				Accessories	77
		Optoelectronic Protective Devices	SLC4	Safety light curtain	78
			SLG4	Safety light grid	81
			SLC4 / SLG4	Muting types / Applications	84
			SLC4 / SLG4	Accessories	87
SLC			Safety light curtain	88	
SLD			Safety light grid	91	
SLC/SLD			Accessories	97	
Emergency stop		SNH	Emergency stop button	104	
Transponder switch		STS	Non-contact safety switches	112	
			Accessories	116	
Magnetic switch		SMA	Magnetic safety switch	118	
Interface		SMI 1001	Magnetic switch interface	122	
Safety switch		SIN	Safety switch with guard locking	124	
		SMS	Safety switch with separate actuator	132	
Position switch		SLS	Mechanical safety switches	136	
Glossary			Explanation on the overview	142	
Information and Contacts				143	



OVERVIEW

From the safety sensors of the **sensor** PRO series through the **safe** RELAY safety relays and the modular, with the screwdriver configurable, safety modules **samos**® to the programmable modular safety control **samos**® PRO you always get the suitable product for the protection of man and machine.

Tested technology

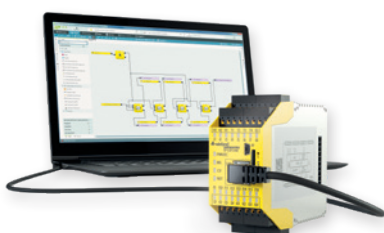
Of course, Wieland Electric offers only thoroughly tested and certified safety technology (i.e., all technical safety products have been approved by recognized testing institutes and meet current regulations and standards).



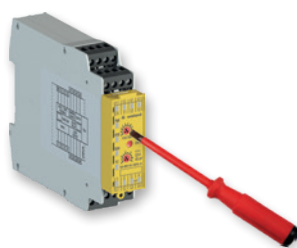
WE OFFER YOU:

- + INTUITIVE SOFTWARE
- + MODULAR SAFETY CONTROLLER
- + COMPACT SAFETY CONTROLLER
- + UNIVERSAL SAFETY RELAYS
- + SAFE SIGNAL DETECTION

SAMOS® PRO



SAMOS®



SAFE RELAY



SENSOR PRO



FIT FOR SAFETY

Wieland supports and advises you – from the planning stage right through to start-up – throughout the entire life cycle of a machine or production system. The broad portfolio of safety switching devices covers all important safety functions and fulfills even complex customer requirements.

IMPORTANT STANDARDS FOR MORE SAFETY


The safety products from Wieland Electric fulfil a number of international standards and regulations with machine and system safety for various applications playing a major role.

SOLUTIONS FOR MANY INDUSTRIES

The safety requirements for machine and system control are becoming more demanding in all areas. Wieland Electric offers tailored, innovative solutions ranging from sensors right down to safety control.

SOLUTIONS:

- + MACHINE BUILDING INDUSTRY
- + MACHINE TOOLS
- + WOOD WORKING
- + PLASTIC PROCESSING
- + PRESSES
- + PACKAGING MACHINES
- + INTRA LOGISTICS

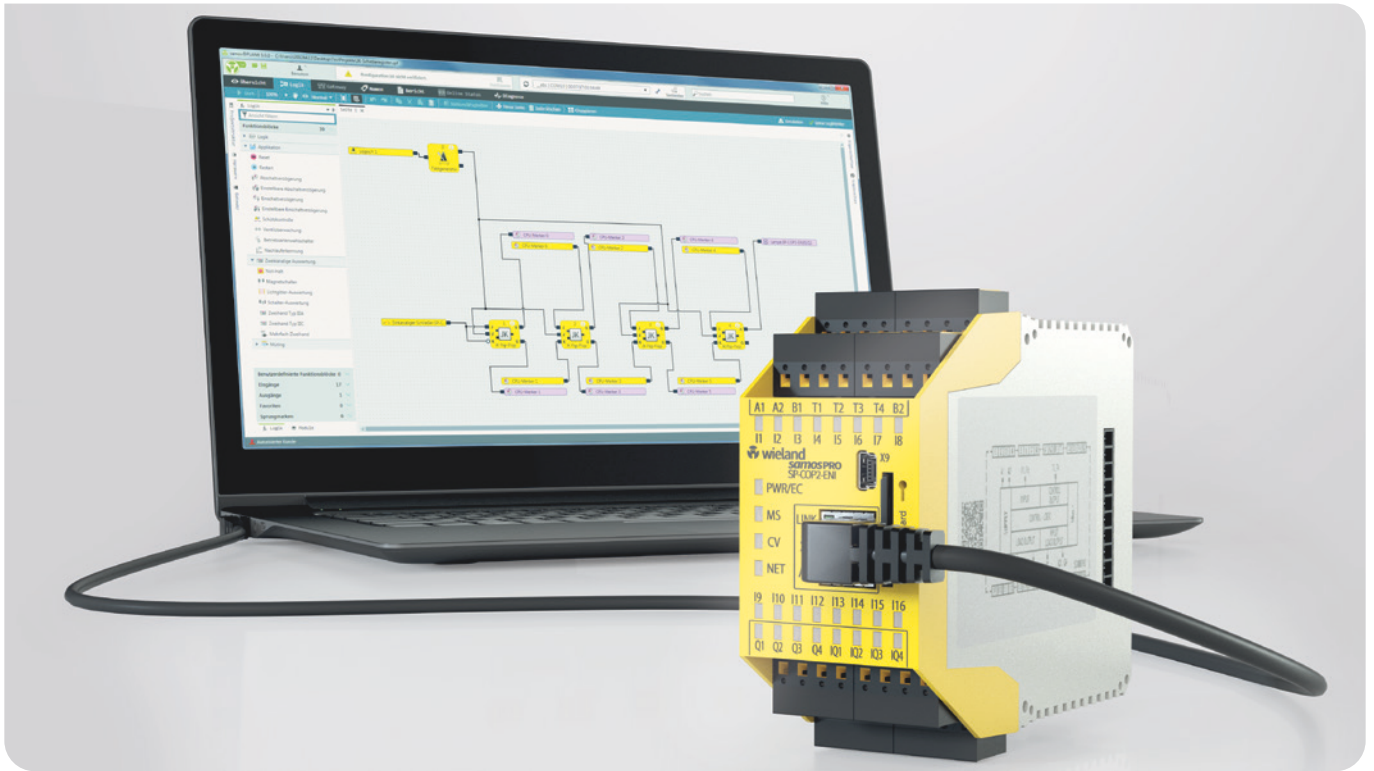
- 
- ▶ EN/IEC 60204-1
 - ▶ EN/IEC 61508
 - ▶ EN/IEC 62061
 - ▶ EN ISO 13849-1
 - ▶ EN/IEC 61511



safety

SAMOS® PRO

The safety controller of the next generation



With the highest power in the smallest space, the safety control samos® PRO sets new standards in the area of machine automation.

OVERVIEW OF BENEFITS

- License free, intuitive programming with samos® PLAN 6
- All-in-one basic module with gateway
- Compact basic module with up to 16 inputs, 4 outputs and 4 configurable Inputs/outputs
- High scalability up to 12 digital and analog extension modules
- Extreme operation temperature range from -25°C to +65°C
- 4A switching power at every output pair to save small contactors or relays
- Easy on-site diagnosis thanks LEDs for all inputs and outputs
- Global remote diagnostics via Ethernet

SAMOS[®] PRO COMPACT

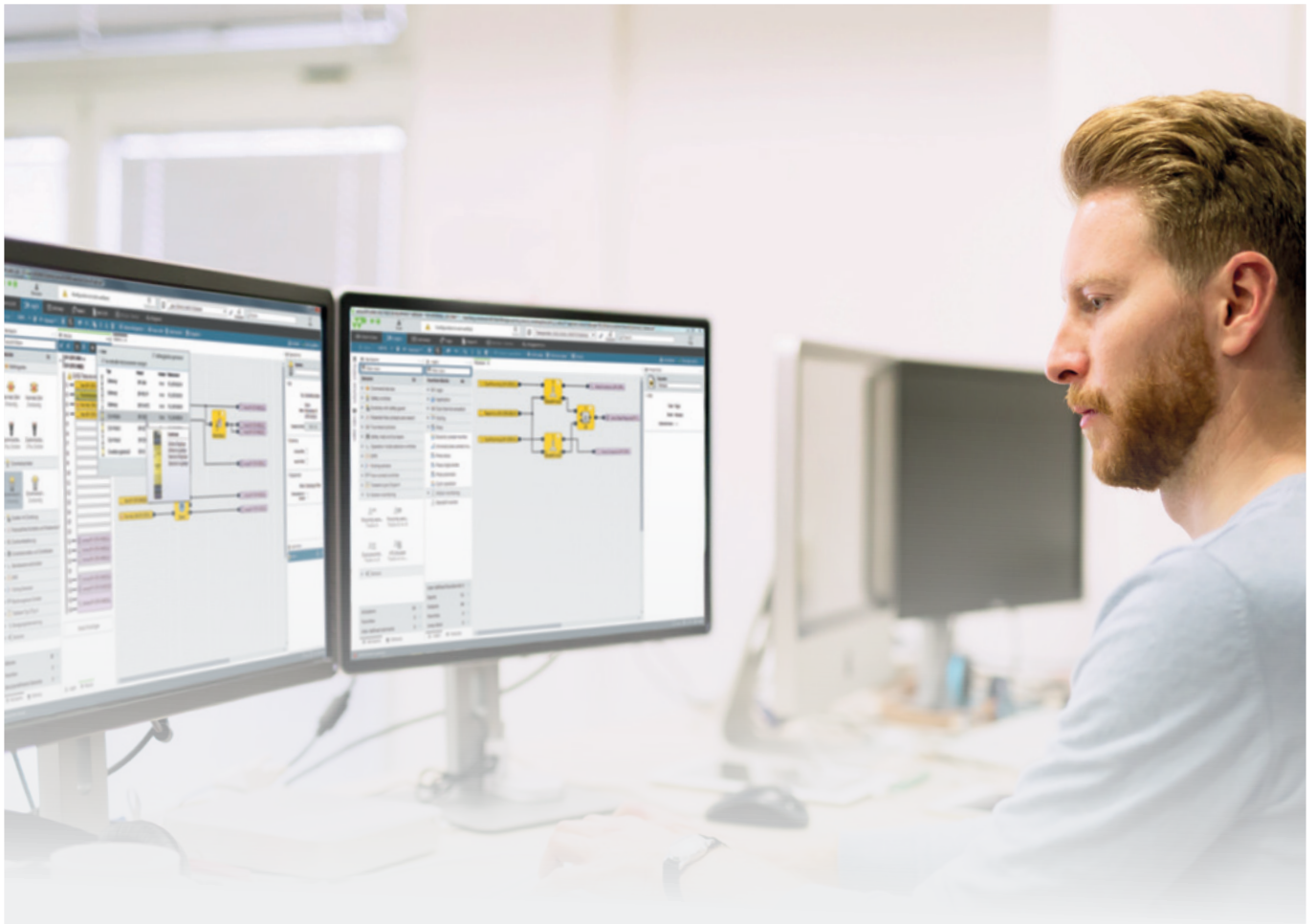
Enhanced functionality

Type/ Feature	COMPACT		MOTION	
	SP-COP2-EN-A SP-COP2-EN-C	SP-COP2-ENI-A SP-COP2-ENI-C	SP-COP2-EN-M-A SP-COP2-EN-M-C	SP-COP2-ENI-M-A SP-COP2-ENI-M-C
Programming via USB Interface	X	X	X	X
Programming via Ethernet Interface	X	X	X	X
PROFIBUS DP, CANopen, EtherCAT (*)	X	X	X	X
PROFINET I/O, Modbus TCP, EtherNet/IP		X		X
Advanced Security	X	X	X	X
Display values/ Communicate	X	X	X	X
Libraries				
Muting	X	X	X	X
Press	X	X	X	X
Analog value processing (*)	X	X	X	X
Combustion technology (*)	X	X	X	X
Motion monitoring			X	X

* These features are available with an additional expansion module

The last letter on the nameplate has the following meaning: **-A**: Screw terminals, **-C**: Push in terminals





SAMOS® PLAN 6 PROGRAMMING SOFTWARE

Intuitive + flexible + license-free

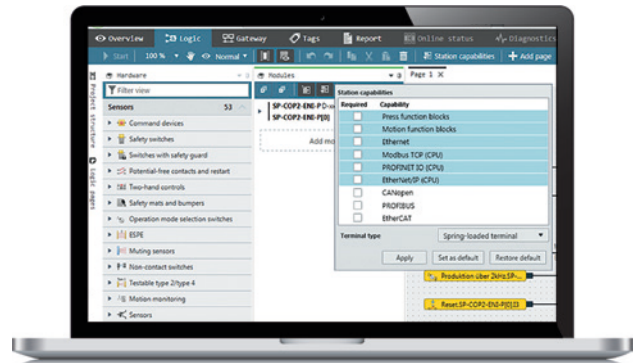
Our samos® PLAN 6 programming software for the samos® PRO range now makes programming even easier. samos® PLAN 6 assists PLC programmers, electrical design engineers and developers with the planning, validation, verification and documentation of the safety application.

- + Intuitive operation through automatic hardware configuration
- + Error-free commissioning through integrated simulation and logic analysis
- + Comprehensive library with TÜV-certified function blocks
- + Comfortable operation with multiple screens, dockable and undockable windows
- + Fast setup of the machine through forcing
- + Configurable project documentation with one mouse click (one-click report)

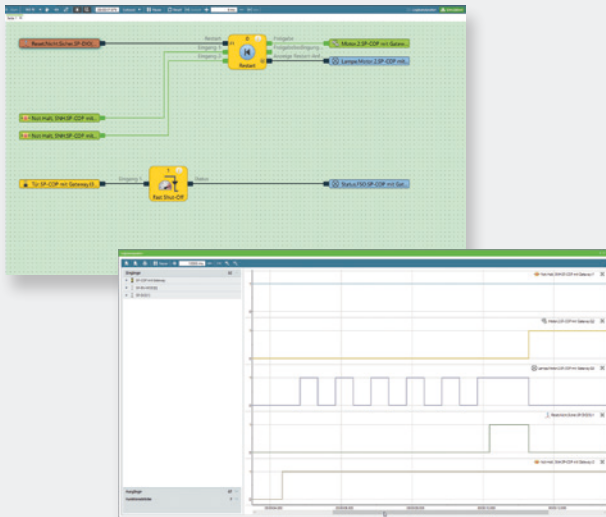
INTUITIVE CONFIGURATION

samos® PLAN 6 offers automatic hardware configuration.

- Easy entry to programming
- No detailed product knowledge required
- Select features instead of modules
- On-the-fly configuring & programming
- Less engineering effort



samos®PRO



SIMULATION INSTEAD OF TESTING

Simulate your programmed logic in real-time on the PC instead of looking for faults on the machine.

- Offline function simulation
- Signal selection via drag & drop
- Fast signal change and debouncing
- Deceleration up to a factor of 20
- Export to Excel or PDF with one click

FASTER VALIDATION

In online mode with oscilloscope function, you can quickly validate, verify and document your safety functions on-site.

- Online recording on a laptop
- Long-term recording for troubleshooting
- Validation and verification on-site
- Fast documentation via PDF export



PARAMETERIZATION INSTEAD OF PROGRAMMING

Error-free parameterization through TÜV-certified application modules.

- Simplified CE declaration thanks to TÜV-certified function blocks
- Functions for presses
- Muting functions, specially for light grids and light curtains
- Adjustable switch on and off delay
- Analog signal processing



FLEXIBLE SCREENS

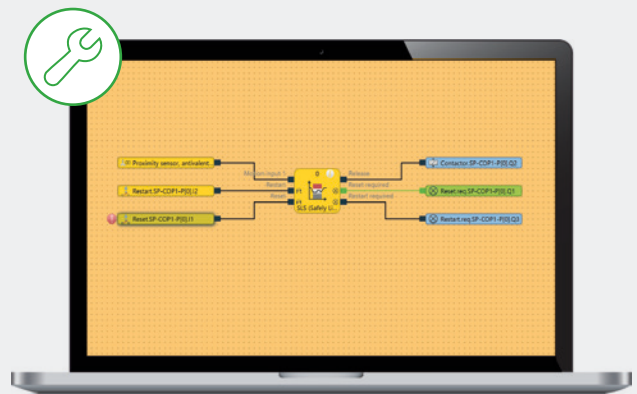
Configure the software to fulfill your requirements by individually adapting your workspace.

- Docking and undocking window arrangement
- Flexible with multiple screens
- Clear diagnosis, verification and troubleshooting
- Selectable Start view (HW, logic)
- Customized and savable layouts (laptop, PC, tablet)

FAST MACHINE SETUP

Simply emulate missing sensor hardware with the forcing function.

- Comfortable machine setup with forcing for missing sensors
- Time-limited forcing up to 8 hours
- Minimal errors at shift change
- Fast troubleshooting thanks to diagnostics messages



GLOBAL REMOTE DIAGNOSTICS

With samos® PLAN 6 and the integrated Ethernet interface, you and your system are connected worldwide, therefore you save expensive service call outs.

- Initial diagnosis via LEDs, Touch Panels or PLCs
- Remote diagnosis via integrated Ethernet
- Remote access to samos® PRO via VPN router
- Remote via LAN, WLAN or mobile radio
- Fast troubleshooting during machine breakdown
- Advanced security against manipulation



samos®PLAN6

wieland
www.wieland-electric.com

Wieland Electric GmbH
Brennenstraße 10-14
96052 Bamberg
Deutschland

Nicht Verifiziert

Projekt: New Project
Dateiname: [neu]
Applikationsname:
Kunde:
CRC Control 1: 0xab9c4364
Erstellung des Berichts: 16.07.2018 08:51:24

Benutzer: DatumZeit: Note: 16.07.2018 08:45:33

3.3.1.5 Handbuchschemabild

3.1 Software-Version

Programmname: Version: Erzeugt am: UBT-Firmware: Prozessorentholter:
SP-COP1-A 1.1.0.0 14.05.2018 44.3.2018 208

3.2 Allgemeine Informationen

Applikation: Name Projekt
Dateiname: [neu]
Dateiname: 16.07.2018 08:51:24
CRC: 0xab9c4364
Kunde: [neu]
Kunde: [neu]
Kunde: [neu]
CPU-Modell: 1.000
CPU-Modell: 1.000
CPU-Modell: 1.000
CPU-Modell: 1.000
CPU-Modell: 1.000

3.3.1 Projekt Beschreibung

3.3.2 Projekt Modus

Benutzer: DatumZeit: Note: 16.07.2018 08:45:33

3.3.3 Module

Modulname	Typ	Version	Adresse
SP-COP1-A	Prozessortholter	1.1.0.0	0

3.3.4 Benutzer

Name	Typ	Version	Adresse
Admin	Administrator	1.0.0.0	1
Operator	Operator	1.0.0.0	2
Guest	Guest	1.0.0.0	3

3.8 Sicherheitskennwerte

Name	Sym	SIL	Kateg	PL e	PL d
SP-COP1-A[0] Q1		SIL 3	Kategorie 4	1.4E-09	
SP-COP1-A[0] Q2		SIL 3	Kategorie 4	1.4E-09	
SP-COP1-A[0] Q3		SIL 2	Kategorie 3		9.8E-09

Die Sicherheitskennwerte gelten ausschließlich für die konfigurierten sicheren Ausgänge der SP-COP und SP-SDIO Module (wie im Handbuch Hardware beschrieben) und nicht für angeschlossene Sensoren oder Aktoren.

ONE-CLICK REPORT GENERATION

Document your projects with one click.

- Cover sheet with project info and CRC
- Optional manipulation protection with falsification code
- Easy to order thanks to parts list
- Time saving with wiring examples
- Safety values (SIL, Kat, PL, PFHd)
- Comfortable calculation of the overall performance level

PROTECTION AGAINST MANIPULATION

Protect your machines against manipulation and hacker attacks with the new "Advanced Security" capability.

- No project modification on the controller without falsification code
- Extra precautions against unauthorized access via Ethernet
- Project runs only on a specified controller
 - ▶ More control over spare parts business
- The controller runs only with the original project
 - ▶ Protection against SD card change



SAMOS® PRO COMPACT

BASIC MODULE



APPLICATIONS

- Machine building industry
- Intra logistics

SAFETY LEVEL

- SIL_{CL} 3 (EN 62061-1)
- PL e/Category 4 (EN ISO 13849-1)

FEATURES

- 16 inputs, 4 outputs and 4 configurable Inputs/outputs
- 116 safe inputs and 52 outputs with I/O extension modules
- Extension with 2 external gateway modules
- Mini USB programming interface
- Display for data (temperature, counter) in samos® PLAN 6
- Data about gateways for HMLs or SPSn
- SD slot for program memory (Order type SD card: SP-COP-CARD)
- Library for analog value processing, combustion technology, muting and press
- Terminals are included in the scope of delivery

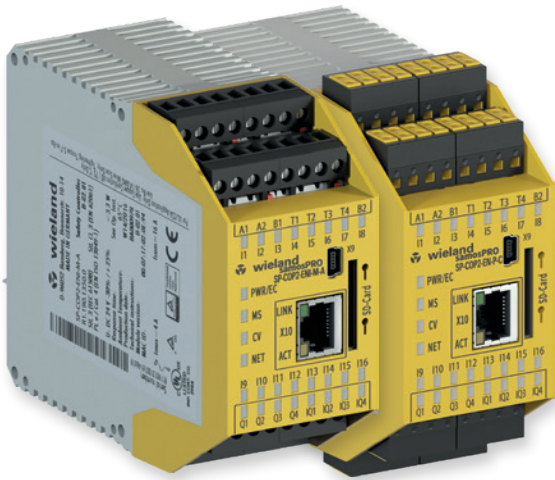
OVERVIEW OF DEVICES

Type	Rated voltage	Terminals	Features	Part no.	P.U.
SP-COP2-EN-A	24 V DC	Screw terminals, pluggable	Muting, Ethernet, press, analog	R1.190.1210.0	1
SP-COP2-EN-C	24 V DC	Push-in terminals, pluggable	Muting, Ethernet, press, analog	R1.190.1220.0	1
SP-COP2-ENI-A	24 V DC	Screw terminals, pluggable	Muting, Industrial Ethernet, press, analog	R1.190.1310.0	1
SP-COP2-ENI-C	24 V DC	Push-in terminals, pluggable	Muting, Industrial Ethernet, press, analog	R1.190.1320.0	1

TECHNICAL DATA		
Function	Safety control	
Function display	24 LED green (in-/outputs) 3 LED green/red/yellow (module status)	
Supply circuit		
Operating voltage range	16.8 V DC to 30 V DC	
Rated power	3.5 W	
Electrical isolation supply circuit - control circuit	No	
Safe input circuit I_n	SP-COP2-EN	SP-COP2-ENI
Quantity/type	20 (16) / digital	20 (16) / digital
Primary voltage range	15 V DC to 30 V DC	15 V DC to 30 V DC
Nominal current	2 mA	2 mA
Safe output circuit Q_n		
Quantity/type	4 (8) / digital	4 (8) / digital
Rated output voltage	24 V DC	24 V DC
Output current per output	4 A	4 A
Interfaces		
USB Mini interface	Yes	Yes
Ethernet interface	Yes	Yes
Industrial Ethernet protocol (basis module)	No	Modbus TCP, Profinet, Ethernet IP
Industrial Ethernet protocol (with gateway module)	ETHERCAT, PROFIBUS DP, CANopen	ETHERCAT, PROFIBUS DP, CANopen
Program memory	External SD card	External SD card
General data		
Protection class as per DIN EN 60529 (housing/terminals)	IP20	
Air and creepage distances	EN 60664-1	
Ambient temperature / storage temperature	-25 °C – +65 °C / -25 °C – +75 °C	
Standards	EN 61508, EN 60204, EN 62061, EN ISO 13849-1, EN 81-20/50, EN 692, EN 693, EN/IEC 61511, EN 50156-1	
Approvals	TÜV, cULus	

SAMOS® PRO MOTION

BASIC MODULE



APPLICATIONS

- Machine building industry
- Intra logistics

SAFETY LEVEL

- SIL_{CL} 3 (EN 62061-1)
- PL e / Kategorie 4 (EN ISO 13849-1)

FEATURES

- Includes all features of the samos®PRO COMPACT
- Display for data (temperature, counter) in samos® PLAN 6
- Data about gateways for HMIs or SPSn
- Library for analog value processing
- Library for combustion technology
- Library for muting
- Library for press
- Library for motion monitoring

samos®PRO

OVERVIEW OF DEVICES

Type	Rated voltage	Terminals	Features	Part no.	P.U.
SP-COP2-EN-M-A	24 V DC	Screw terminals, pluggable	Ethernet, press, analog, motion monitoring	R1.190.1250.0	1
SP-COP2-EN-M-C	24 V DC	Push-in terminals, pluggable	Ethernet, press, analog, motion monitoring	R1.190.1260.0	1
SP-COP2-ENI-M-A	24 V DC	Screw terminals, pluggable	Industrial Ethernet, press, analog, motion monitoring	R1.190.1350.0	1
SP-COP2-ENI-M-C	24 V DC	Push-in terminals, pluggable	Industrial Ethernet, press, analog, motion monitoring	R1.190.1360.0	1

TECHNICAL DATA

Function	Safety control	
Function display	24 LED green (in-/outputs) 3 LED green/red/yellow (module status)	
Supply circuit		
Operating voltage range	16.8 V DC to 30 V DC	
Rated power	3.5 W	
Electrical isolation supply circuit - control circuit	No	
Safe input circuit I_n	SP-COP2-EN-M	SP-COP2-ENI-M
Quantity/type	16 (12) / digital	16 (12) / digital
Primary voltage range HIGH	13 V DC to 30 V DC	13 V DC to 30 V DC
Nominal current	2.3 mA	2.3 mA
Motion input (I13-I16)		
Quantity/type	4 / fast counter inputs	4 / fast counter inputs
Primary voltage range HIGH	15 V DC to 30 V DC	15 V DC to 30 V DC
Nominal current	6 mA	6 mA
Max. Input frequency	70 kHz	70 kHz
Safe output circuit Q_n		
Quantity/type	4 (8) / digital	4 (8) / digital
Rated output voltage	24 V DC	24 V DC
Output current per output	4 A	4 A
Interfaces		
USB Mini interface	Yes	Yes
Ethernet interface	Yes	Yes
Industrial Ethernet protocol (basis module)	No	Modbus TCP, PROFINET, EtherNet/IP
Industrial Ethernet protocol (with gateway module)	ETHERCAT, PROFIBUS DP, CANopen	ETHERCAT, PROFIBUS DP, CANopen
Program memory	External SD card	External SD card
General data		
Protection class as per DIN EN 60529 (housing/terminals)	IP20	
Air and creepage distances	EN 60664-1	
Ambient temperature / storage temperature	-25 °C – +65 °C / -25 °C – +75 °C	
Standards	EN 61508, EN 60204, EN 62061, EN ISO 13849-1, EN 81-20/50, EN 692, EN 693, EN/IEC 61511, EN 50156-1	
Approvals	TÜV, cULus Listed	

SP-SDIO

INPUT-/ OUTPUT MODULE



APPLICATIONS

- Machine building industry
- Intra logistics

SAFETY LEVEL

- SIL_{CL} 3 (EN 62061-1)
- PL e / Category 4 (EN ISO 13849-1)

FEATURES

- 8 safe inputs
- 4 safe outputs (with/without output test-pulses)
- 2 outputs (e.g., test signals)

OVERVIEW OF DEVICES

Type	Rated voltage	Terminals	Remarks	Part no.	P.U.
SP-SDIO84-P1-K-A	24 V DC	Screw terminals, pluggable	with/without output test-pulses	R1.190.0030.0	1
SP-SDIO84-P1-K-C	24 V DC	Push-in terminals, pluggable	with/without output test-pulses	R1.190.0040.0	1

TECHNICAL DATA

Function display	13 LEDs, green/red
Power supply circuit	
Operating voltage range	16.8 V DC to 30 V DC
Rated consumption	1.8 W
Electrical isolation power supply circuit - control circuit	no
Safe input circuit I1 – I8	
Quantity / type	8 / digital
Input voltage range	15 V DC to 30 V DC
Rated current	3 mA
Safe output circuits Q1 – Q4	
Quantity / type	4 / digital
Output voltage	24 V DC
Output current I _n per exit	4 A
Output circuits X1, X2	
Quantity / type	2 / digital
Output voltage	24 V DC
Output current I _n per exit	0.5 A
General data	
Protection degree according to DIN 60529 (housing / terminals)	IP40 / IP20
Creepage distances and clearances	EN 60664-1
Ambient temperature / storage temperature	-25°C – +65°C / -25°C – +75°C
Standards	EN 61508, EN 61511, EN 62061, EN ISO 13849-1, EN 50156-1
Approvals	TÜV, cULus Listed

SP-SDI

INPUT MODULE



APPLICATIONS

- Machine building industry
- Intra logistics

SAFETY LEVEL

- SIL_{CL} 3 (EN 62061-1)
- PL e / Category 4 (EN ISO 13849-1)

FEATURES

- 8 safe inputs
- 8 outputs (e.g., test signals)

OVERVIEW OF DEVICES

Type	Rated voltage	Terminals	Part no.	P.U.
SP-SDI8-P1-K-A	24 V DC	Screw terminals, pluggable	R1.190.0050.0	1
SP-SDI8-P1-K-C	24 V DC	Push-in terminals, pluggable	R1.190.0060.0	1

TECHNICAL DATA

Function display	13 LEDs, green/red
Power supply circuit	
Operating voltage range	16.8 V DC to 30 V DC
Rated consumption	1.8 W
Electrical isolation power supply circuit - control circuit	no
Safe input circuit I1 – I8	
Quantity / type	8 / digital
Input voltage range	15 V DC to 30 V DC
Rated current	3 mA
Output circuits X1, X2	
Quantity / type	2 / digital
Output voltage	24 V DC
Output current I _n per exit	0.5 A
General data	
Protection degree according to DIN 60529 (housing / terminals)	IP40 / IP20
Creepage distances and clearances	EN 60664-1
Ambient temperature / storage temperature	-25°C – +65°C / -25°C – +75°C
Standards	EN 61508, EN 61511, EN 62061, EN ISO 13849-1, EN 50156-1
Approvals	TÜV, cULus Listed



NOTE:

Safe relay contacts are expanded using the series SNE contact expansion relay (from Page 68). Types **SNE 4024K** and **SNE 4012K** in particular are ideal for contact expansion.

SP-SA

ANALOG INPUT MODULE*)



APPLICATIONS

- Machine building industry
- Intra logistics

SAFETY LEVEL

- up to SIL_{CL} 3 (EN 62061-1)
- up to PL e/Category 4 (EN ISO 13849-1)

FEATURES

- 4 safe analog inputs
- Galvanic isolation
- Limits monitoring
- Mathematical functions
- Scaling

OVERVIEW OF DEVICES

Type	Rated voltage	Terminals	Remarks	Part no.	P.U.
SP-SAR4-A	DC 24 V	Screw terminals, pluggable	4 safe inputs RTD	R1.190.1610.0	1
SP-SAR4-C	DC 24 V	Push-in terminals, pluggable	4 safe inputs RTD	R1.190.1620.0	1
SP-SAC4-A	DC 24 V	Screw terminals, pluggable	4 safe inputs 0-20 mA	R1.190.1630.0	1
SP-SAC4-C	DC 24 V	Push-in terminals, pluggable	4 safe inputs 0-20 mA	R1.190.1640.0	1
SP-SACR22-A	DC 24 V	Screw terminals, pluggable	2 safe inputs RTD, 2 safe inputs 0-20 mA	R1.190.1650.0	1
SP-SACR22-C	DC 24 V	Push-in terminals, pluggable	2 safe inputs RTD, 2 safe inputs 0-20 mA	R1.190.1660.0	1

TECHNICAL DATA					
Function display	6 LED green/red				
Power supply circuit					
Operating voltage range	16,8 V DC to 30 V DC				
Rated consumption	1,5 W				
Electrical isolation	yes (input circuit - supply circuit)				
Safe input circuit I_n	SP-SAR4	SP-SAC4	SP-SACR22		
Quantity / type	4 / analog	4 / analog	4 / analog		
Input type	4 x temperature-dependent resistor (RTD)	4 x power interface	2 x temperature-dependent resistor (RTD) 2 x power interface		
Sensor type	PT100, PT200, PT500, PT1000, NI100, NI1000	0 - 20 mA, 4 - 20 mA	PT100, PT200, PT500, PT1000, NI100, NI1000 0 - 20 mA, 4 - 20 mA		
Resolution	16 Bit	16 Bit	16 Bit		
General data					
Protection degree according to DIN 60529	IP20				
Creepage distances and clearances	EN 60664-1				
Ambient temperature / storage temperature	-25 °C - +65 °C / -25 °C - +70 °C				
Standards	EN 61508, EN 61511, EN 62061, EN ISO 13849-1, EN 50156-1				
Approvals	TÜV, cULus Listed				

*) Available from quarter 2/2019
18 · samos[®]PRO

SP-DIO

STANDARD I/O-MODUL



APPLICATIONS

- Machine building
- Intra logistics

FEATURES

- 4 standard inputs
- 4 standard outputs
- 4 configurable standard in-/outputs

OVERVIEW OF DEVICES

Type	Rated voltage	Terminals	Part no.	P.U.
SP-DIO84-K-A	24 V DC	Screw terminal, pluggable	R1.190.1050.0	1
SP-DIO84-K-C	24 V DC	Push-in terminal, pluggable	R1.190.1060.0	1

FUNCTION DISPLAY

Function display 13 LED, green/red

Function display

Operating voltage range U_B 16.8 V DC to 30 V DC

Rated power 0,5 W

Electrical isolation supply circuit - control circuit no

Standard input circuits I_n, IY_n

Quantity / type 4 (8) / digital

Input voltage range 15 V DC to 30 V DC

Nominal current 3 mA

Standard output circuits Q_n, IY_n

Quantity / type 4 (8) / digital

Output voltage 24 V DC

Output current I_n per output 0.5 A

Short-circuit protective device yes

General data

Protection class as per DIN EN 60529 (housing/terminals) IP40 / IP20

Air and creepage distances EN 60664-1

Ambient temperature / storage temperature -25°C - +65°C / -40°C - +70°C

Standards EN 60204, EN 50156-1

Approvals cULus Listed

GATEWAY



SP-EN-ETC

FEATURES

- EtherCAT industrial Ethernet protocol
- Bidirectional communication with PLC
- Transfer of 50 bytes of data
- Simple configuration with samos® PLAN 6



SP-CANOPEN

FEATURES

- Fieldbus protocol CANopen
- Bidirectional communication with PLC
- Transfer rate up to 1 MBit/s
- Transfer of 50 bytes of data
- Simple configuration with samos® PLAN 6



SP-PROFIBUS-DP

FEATURES

- Fieldbus protocol PROFIBUS-DP
- Bidirectional communication with PLC
- Transfer rate 12 MBaud
- Transfer of 50 bytes of data
- Simple configuration with samos® PLAN 6

OVERVIEW OF DEVICES

Type	Rated voltage	Remark	Part no.	P.U.
SP-CANopen	24 V DC	CANopen (compatible with basic modules as of build status C-xx)	R1.190.0210.1	1
SP-PROFIBUS-DP	24 V DC	PROFIBUS DP (compatible with basic modules as of build status C-xx)	R1.190.0190.1	1
SP-EN-ETC	24 V DC	ETHERCAT	R1.190.0160.0	1

STARTER SET & ACCESSORIES



SAMOS®PRO STARTER SET

- A safe way to get started
- Contains all required components
- With programming tool samos®PLAN 6

SP-COP-STARTER-SET:

Set including SP-COP2-EN-A, SP-COP-CARD1, SP-PLAN6, SP-CABLE-USB1, SP-CABLE-ETH1



SP-COP-CARD1



SP-CABLE-USB1



SP-CABLE-ETH1

SAMOS®PRO ACCESSORIES

Contents of the starter set

- SP-COP-CARD1: Memory-card for SP-COP
- SP-CABLE-USB1: USB cable for SP-COP, 1.8 m
- SP-CABLE-ETH1: Ethernet cable for SP-COP, 2 m
- Programming software samos®PLAN 6



You can get the free programming tool samos®PLAN 6 at www.wieland-electric.com
Support / Software & Apps

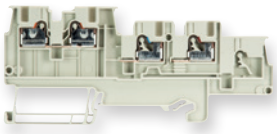
STARTER SET & ACCESSORIES



HMI-ECO

FURTHER SAMOS®PRO ACCESSORIES

- For HMI-ECO touch panels and hmi plan visualization software, see Industrial Communication brochure (0801.0)



WTP 1,5 I/O -3

- Three-wire initiator/actuator terminal with push-in connection for mounting on MR 35



SHIELDED CABLE TERMINALS
FASIS WST .../T35

- For mounting on TS 35 mounting rail



SAFETY
SCHRAUBKL. SET

- Screw terminal set with 4 different codings for 5 devices



SAFETY
PUSH IN SET

- Push-in terminal set with 4 different codings for 5 devices

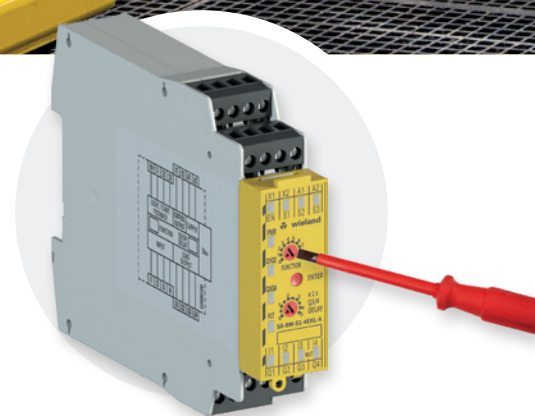
OVERVIEW OF DEVICES

Type	Description	Part no.	P.U.
SP-COP-CARD1	Memory-card for SP-COP	R1.190.1000.0	1
SP-CABLE-USB1	USB cable for SP-COP, 1.8 m	R1.190.1010.0	1
SP-CABLE-ETH1	Ethernet cable for SP-COP, 2 m	R1.190.1020.0	1
SP-FILTER1	samos® PRO-Output-Filter, 680nF	R1.190.0260.0	1
SP-FILTER2	samos® PRO-Output-Filter, 2,2uF	R1.190.0270.0	1
SP-COP-STARTER-SET	Content: SP-COP2-EN-A, SP-COP-CARD1, SP-PLAN6, SP-CABLE-USB1, SP-CABLE-ETH1	R1.190.1100.0	1
HMI-LICENSE-SINGLE	Single-user license for HMIs, programming software for HMIs	ZW.000.0170.0	1
HMI-ECO-043	HMI Eco touch panel, 4.3" color, TFT, 480x272 pixels	83.050.0000.0	1
HMI-ECO-070	HMI Eco touch panel, 7" color widescreen, TFT, 800x480 pixels	83.050.0001.0	1
HMI-ECO-100	HMI Eco touch panel, 10" color, TFT, 1024x600 pixels	83.050.0002.0	1
SP-COVER	SD card slot cover for SP-COP modules	R1.190.1040.0	1
SAFETY-SCHRAUBKL.SET	Screw terminal set with 4 different codings for 5 devices	99.208.9999.9	1
SAFETY-PUSH IN SET	Push-in terminal set with 4 different codings for 5 devices	99.209.9999.9	1
WTP 1,5 I/O -3	fasis - multi-tier block with diodes	56.202.8055.0	100
APFN 2,5 E/35	End plate	07.312.7355.0	10
WST 8 / TS 35	Shield cable terminals for mounting on mounting rail for cable diameters from 3 to 8 mm	Z2.803.6010.0	10
WST 13,5 / TS 35	Shield cable terminals for mounting on mounting rail for cable diameters from 4 to 13.5 mm	Z2.803.6110.0	10
WST 20 / TS 35	Shield cable terminals for mounting on mounting rail for cable diameters from 10 to 20 mm	Z2.803.6210.0	10

SAMOS® – SAFETY MADE SIMPLE

samos® stands for SAFETY MODular System. The safety system with just a multifunctional, permanently coded basic module is built on the modular kit principle and grows module by module along with the safety task.











- samos® combines a wide variety of safety sensors which monitor a machine or system for technical safety either individually, in combination or all together.
- samos® replaces special devices with pre-defined, practice-oriented function blocks for monitoring emergency stop, position switches, two-hand buttons and light curtains, for example.
- samos® uses safe logical link functions for simple creation of dependent or independent safety zones.
- samos® offers comprehensive diagnosis by gateways via Profibus-DP, CANopen and DeviceNet or via Industrial Ethernet.



All safety functions are set with a screwdriver without programming software and can be read at the device.




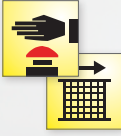


EXAMPLE: SINGLE FUNCTIONS

-  Emergency stop
-  Safety door
-  Controlled stopping
-  Monitoring BWS type 4
-  Monitoring BWS type 2 with testing
-  Testable PDF sensors
-  Safe position monitoring
-  Static valve monitoring
-  Two-hand applications to IIIA and IIIC
-  4-wire switching mats



Set release delay of output Q4 or Q3 and Q4




EXAMPLE: COMBINATION FUNCTIONS

-  TYPE 4/2
-  TYPE 4/2
-  TYPE 4/2
-  TYPE 4/2

EXAMPLE: DUAL FUNCTIONS

-  TYPE 4/2
-  TYPE 4/2

EXAMPLE: SPECIAL FUNCTIONS

-  MAX. 5 s Jog mode
-  SETUP Setup mode
-  MUTING and BYPASS

SAMOS® – MAXIMUM FLEXIBILITY

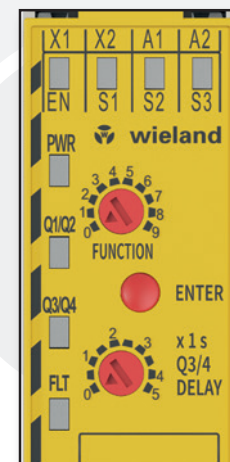
INTELLIGENTLY CONNECTED MODULES

The modules are connected to a standard DIN rail and pressed together. Connected on the left of the rail is the Master, the obligatory base module (with coding 1), input modules (coding matches the base module arranged to the left) and relay output modules. All modules in the samos overall system are permanently coded and are always permanently assigned to a similarly permanently coded basic module, which eliminates any confusion during service work, for instance.

The relay modules are integrated in the function via external wiring. If necessary such system group are made up of basic modules, input modules and relay output modules can be wired together. This allows the implementation of a wide variety of input/output functions with separate or combined effects.

FUNCTIONS WITH ADDED VALUE

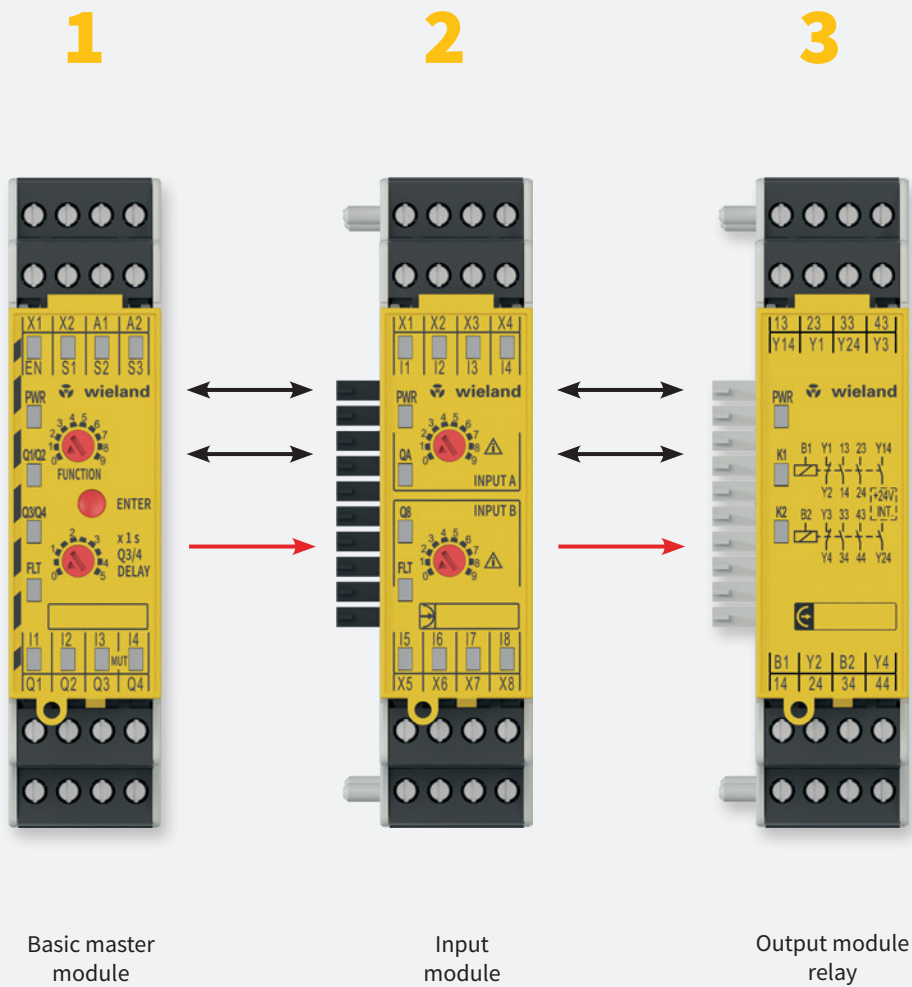
The functions of the basic module and the input modules are set either individually or in combination on the front with 10-position rotary switches (e.g. emergency stop and protective door monitoring with controlled shutdown). Additional functions such as automatic reset, startup and re-startup blocking or retriggering of the off-delay are implemented with terminal configuration.



samos® MODULES

Clear handling – maximum flexibility

The clear and simple user interface helps to implement safe solutions.



MODULAR DESIGN

In its maximum configuration **samos**[®] consists of one basic master module and additional modules to expand function blocks, inputs and outputs.

- Up to **12** safe active modules (input modules)
- Up to **4** additional safe passive output module relays

1 Basic master module

Safety module with 9 function blocks, 8 safe inputs and 4 safe outputs (also suitable for stand-alone operation)

2 Input module

Expansion module with 10 function blocks and 8 safe inputs

3 Output module relay

Expansion modules with 2 or 4 safe, potential-free relay contacts

SA-BM

BASIC MODULE



APPLICATIONS

- Machine building industry
- Intra logistics

SAFETY LEVEL

- SIL_{CL} 3 (EN 62061-1)
- PL e / Category 4 (EN ISO 13849-1)

FEATURES

- 9 function blocks
- 4 inputs for safety sensors
- 4 safe semiconductor outputs
- Adjustable OFF- delay

OVERVIEW OF DEVICES

Type	Rated voltage	Terminals	Coding	Part no.	P.U.
SA-BM-S1-4EKL-A, 5s	24 V DC	Screw terminals, pluggable	1	R1.180.0010.0	1
SA-BM-S1-4EKL-A, 50s	24 V DC	Screw terminals, pluggable	1	R1.180.0020.0	1
SA-BM-S1-4EKL-C, 5s	24 V DC	Push-in terminals, pluggable	1	R1.180.0360.0	1
SA-BM-S1-4EKL-C, 50s	24 V DC	Push-in terminals, pluggable	1	R1.180.0370.0	1

TECHNICAL DATA

Function display	12 LEDs, green/red
Power supply circuit	
Operating voltage range	19.2 V DC to 30 V DC
Rated consumption	1.8 W
Electrical isolation power supply circuit - control circuit	no
Safe input circuit I1 – I4	
Input voltage range	15 V DC to 30 V DC
Rated current	3 mA
Safe control circuits EN, S1 – S3	
Input voltage range	15 V DC to 30 V DC
Rated current	3 mA
Safe output circuits Q1 – Q4	
Output voltage	24 V DC
Output current I _n per exit	2 A
Output circuits X1, X2	
Output voltage	24 V DC
Output current I _n per exit	0.5 A
General technical data	
Protection degree according to DIN 60529 (housing / terminals)	IP40 / IP20
Creepage distances and clearances	EN 60664-1
Ambient temperature / storage temperature	-25°C – +55°C / -25°C – +75°C
Standards	EN 61508, EN 62061, EN ISO 13849-1, EN 50156-1
Approvals	TÜV, cULus

SA-IN

INPUT MODULE



APPLICATIONS

- Machine building industry
- Intra logistics

SAFETY LEVEL

- SIL_{CL} 3 (EN 62061-1)
- PL e/Category 4 (EN ISO 13849-1)

FEATURES

- 10 functional modules
- 2 x 4 inputs for sensors
- 2 x 4 test signal outputs

OVERVIEW OF DEVICES

Type	Rated voltage	Terminals	Coding	Part no.	P.U.
SA-IN-S1-K-A	24 V DC	Screw terminals, pluggable	1	R1.180.0070.0	1
SA-IN-S1-K-C	24 V DC	Push-in terminals, pluggable	1	R1.180.0420.0	1

TECHNICAL DATA

Function display 12 LEDs, green/red

Power supply circuit

Operating voltage range 19.2 V DC to 30 V DC

Rated consumption 1.2 W

Electrical isolation power supply circuit - control circuit no

Safe input circuit I1 – I8

Input voltage range 15 V DC to 30 V DC

Rated current 3 mA

Output circuits X1, X8

Output voltage 24 V DC

Output current I_n per exit 0.5 A

General technical data

Protection degree according to DIN 60529 (housing / terminals) IP40 / IP20

Creepage distances and clearances EN 60664-1

Ambient temperature / storage temperature -25°C – +55°C / -25°C – +75°C

Standards EN 61508, EN 62061, EN ISO 13849-1, EN 50156-1

Approvals TÜV, cULus

SA-OR

OUTPUT MODULE



APPLICATIONS

- Machine building industry
- Intra logistics

SAFETY LEVEL

- SIL_{CL} 3 (EN 62061-1)
- PL e / Category 4 (EN ISO 13849-1)

FEATURES

- Output module **SA-OR-S1**
- 2 x 2 safe enabling with switching up to 230 V AC / 6 A
- 2 x outputs 24 V DC / 50 mA
- 2 x 1 feedback circuit (NC contact)
- Output module **SA-OR-S2**
- 1 x 2 safe enabling with switching up to 230 V AC / 6 A
- 1 x 1 potential-carrying safe output 24 V DC / 50 mA for signaling or safe logical operation
- 1 x 1 feedback circuit (NC contact)

OVERVIEW OF DEVICES

Type	Rated voltage	Terminals	Part no.	P.U.
SA-OR-S1-4RK-A	24 V DC	Screw terminals, pluggable	R1.180.0080.0	1
SA-OR-S2-2RK-A	24 V DC	Screw terminals, pluggable	R1.180.0320.0	1
SA-OR-S1-4RK-C	24 V DC	Push-in terminals, pluggable	R1.180.0430.0	1
SA-OR-S2-2RK-C	24 V DC	Push-in terminals, pluggable	R1.180.0440.0	1

TECHNICAL DATA	
Function display	3 or 2 LEDs, green
Input circuit B1, B2	
Input voltage range	18 V DC to 30 V DC
Electrical isolation power supply circuit – input circuit	no
Electrical isolation input circuit - output circuit	yes
Electrical isolation power supply circuit - output circuit	yes
Rated consumption	2.2 W to 1.1 W
Release delay	30 ms
Output circuits (relays)	
Switching voltage	230 V AC
Output current I _n per exit	6 A
Output circuits (Y14, Y24)	
Switching voltage	30 V DC
Output current I _n per exit	75 mA
General technical data	
Protection degree according to DIN 60529 (housing / terminals)	IP40 / IP20
Creepage distances and clearances	EN 60664-1
Ambient temperature / storage temperature	-25°C – +55°C / -25°C – +75°C
Standards	EN 62061, EN ISO 13849-1, EN 50156-1
Approvals	TÜV, cULus



samos®

SAFE RELAY – UNIVERSAL SAFETY RELAYS

The safeRELAY safety relays offer customized solutions for the safety of man and machine.

These devices combine excellent technical performance with efficient use in everyday industrial applications. Compact design, flexible use and flexible connection methods are the decisive advantages of these devices.

Depending on the application and the selected device, the safety relays can be used up to PL e / Category 4 (EN ISO 13849-1) or SIL 3 (EN 62061).

VERSATILE APPLICATION OPTIONS

- Emergency stop monitoring
- Monitoring of protective doors and interlocks
- Light curtain monitoring
- Two-hand relay
- Monitoring of valves and limit value switches
- Safe contact expansions



Further informations about the screw terminal set and the push-in terminal set see page 23.



safe RELAY

Safety relays

The simple and safe connection for every situation.



SNA, SNO, SNS, SNZ

Basic devices

The basic devices of the SNA, SNO, SNS and SNZ device families feature a safe internal logic component for the monitoring of the respective safety functions.



SNV

Basic devices with time function

The basic devices of the SNV device families feature a safe internal logic component for the monitoring of the respective safety functions.

In addition, these devices offer time-delayed, safe outputs and a corresponding time setting on the device.



SNE

Contact expansion relays

The contact expansion relays of the SNE device family feature a redundant internal structure and are used for contact multiplication, for example, basic devices.

OVERVIEW – BASIC DEVICES

Type	SNO 4083KM	SNO 4062K/KM	SNO 4063K/KM	SNA 4043K/KM	SNA 4044K/KM	SNA 4063K/KM	
Page	38	40	42	44	44	46	
Application							
Input Circuits							
Start							
Contacts							
Characteristics							
Rated voltage DC (V)	24	24	12 24	24	24	24	
Rated voltage AC (V)	115-230		24 115-120 230	24 115-120 230	24 115-120 230	24 115-120 230	

¹⁾ PLe contact expansion

²⁾ 24 V devices only

³⁾ possible only in isolated cases and according to the risk assessment of the machine functions

	SNO 4003K	SNO 1012K	SNS 4074K/4084K	SVM 4001K	SNZ 4052K
	48	50	52	54	56
					0,5
	24	24	24	24	24
	24 115-120 230	24			24 115-120 230

For glossary, see cover page 124

OVERVIEW – BASIC DEVICES WITH TIME FUNCTION

Type	SNV 4063KL	SNV 4063KP	SNV 4074SL	SNV 4076SL	SNV 4274SL	SNV 4074ST
Page	58	60	62	62	64	64
Application						
Input Circuits						
Start						
Contacts						
Characteristics						
Rated voltage DC (V)	24	24	24	24	24	24
Rated voltage AC (V)			115-230	115-230	115-230	115-230

¹⁾ applies to undelayed contacts; the following applies to delayed contacts: PL d / category 3 / SILCL 2

²⁾ depends on the category of the basic device or the safety analysis

CONTACT EXPANSION RELAYS

Type	SNE 1	SNE 4004K	SNE 4004KV	SNE 4024K
Page	66	68	68	70
Application				
Input Circuits				
Start				
Contacts				
Characteristics				
Rated voltage DC (V)	24	24	24	24
Rated voltage AC (V)		24		

For glossary, see cover page 124

SNO 4083KM

MONITORING OF EMERGENCY STOP, SAFETY GATES AND LIGHT BARRIERS



APPLICATIONS

- Protection of people and machinery
- Monitoring of emergency stop applications
- Monitoring of safety gates
- Monitoring of light barriers

SAFETY LEVEL

- Up to PL e / Categorie 4 (EN ISO 13849-1)
- Up to SIL_{CL} 3 (EN 62061)

FEATURES

- Stop Category 0 according to EN 60204-1
- Single-channel or two-channel control
- Two-channel control with NC/NC or NC/NO
- Manual or automatic start
- SafeStart
- Cross monitoring
- Synchronous time monitoring for two-channel control
- 3 enabling current path / 1 signalling current path

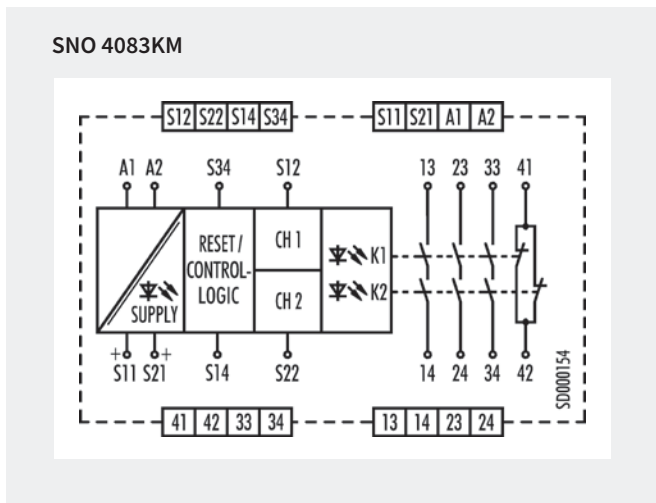
FUNCTION

After the supply voltage is applied to terminals A1/A2 and the safety inputs are closed, the enabling current paths (NO contacts) are closed and the signal current path (NC contact) is opened automatically or by pressing the reset button (manual monitored start). When the safety inputs are opened/ de-energized the enabling current paths (NO contacts) are opened immediately and the signal current path (NC contact) is closed.

- **Reduced installation work** – The SNO 4083KM requires fewer connection cables, irrespective of whether operation with or without cross monitoring is desired. This saves time and money when it comes to wiring.

- **Universal application** – The two-channel control of the device is carried out by either an NC/NC or an NC/NO combination of the safety sensor. In the case of two-channel control of the device, a synchronous time is automatically monitored between the two channels.
- **SafeStart function** – When the device is used with a manual start, the reset input is automatically monitored for a rising and falling signal edge. A manual reset signal is only accepted if the control inputs of the device are activated by the safe transducer (e.g. emergency stop button) during the entire activation procedure.
- **Monoflop function** – This function is integrated into the device and prevents device interlocking under all circumstances. This is a decisive advantage in applications where very short interruptions of the safety-related signals can occur, or in the case of transducers with bouncing contacts or safe optical sensors (BWS), for example.
- **Simple diagnosis** – The device features an intelligent display system that shows the user the different operating modes of the device in its different applications. This means, for example, that when the control inputs are closed and manual start has been selected, a reset signal is displayed, which has not yet been given. Fault states in the control (e.g. synchronous time exceeded or a short-circuit in two-channel control) are also signaled to the user via a blinking code.

CIRCUIT DIAGRAM



OVERVIEW OF DEVICES

Type	Rated voltage	Synchr. Time	Terminals	Part no.	P.U.
SNO 4083KM-A	24 V DC	1.5 s	Screw terminals, pluggable	R1.188.3580.0	1
SNO 4083KM-A	115-230 V AC	1.5 s	Screw terminals, pluggable	R1.188.3590.0	1
SNO 4083KM-C	24 V DC	1.5 s	Push-in terminals, pluggable	R1.188.3600.0	1
SNO 4083KM-C	115-230 V AC	1.5 s	Push-in terminals, pluggable	R1.188.3610.0	1
SNO 4083KM-A	24 V DC	0.5 s	Screw terminals, pluggable	R1.188.3830.0	1
SNO 4083KM-A	115-230 V AC	0.5 s	Screw terminals, pluggable	R1.188.3840.0	1
SNO 4083KM-C	24 V DC	0.5 s	Push-in terminals, pluggable	R1.188.3850.0	1
SNO 4083KM-C	115-230 V AC	0.5 s	Push-in terminals, pluggable	R1.188.3860.0	1

TECHNICAL DATA

Function	Emergency stop relay	
Function display	3 LEDs, green	
Power supply circuit		
Rated voltage U_N	A1, A2	24 V DC / 115-230 V AC
Rated consumption	24 V DC	1.6 W
	115-230 V AC	1.8 W / 4.0 VA
Rated frequency	50 - 60 Hz	
Operating voltage range U_B	0.85 - 1.1 x U_N	
Electrical isolation supply circuit - control circuit	yes (at $U_N = 115-230$ V AC)	
Control circuit		
Rated output voltage	S11/S21	22.5 V DC
Input current / peak current	S12, S22	25 mA / 100 mA
	S14, S34	3 mA / 5 mA
Response time t_{A1} / t_{A2}	250 ms	
Minimum ON time t_M	60 ms	
Recovery time t_W	120 ms	
Release time t_R	< 35 ms	
Synchronous time t_S	0.5 s / 1.5 s	
Permissible test pulse time t_{pP}	< 0,8 ms	
Max. resistivity, per channel ¹⁾	24 V DC	$\leq (5 + (1.176 \times U_B / U_N - 1) \times 100) \Omega$
	115-230 V AC	$\leq 12 \Omega$
Output circuit		
Enabling paths	13/14, 23/24, 33/34	normally open contact
Signaling paths	41/42	normally closed contact
Contact assignment	forcebly guided	
Contact type	Ag-alloy, gold-plated	
Rated switching voltage	enabling / signaling path	230 V AC
Max. thermal current I_{th}	enabling / signaling path	6 A / 2 A
Max. total current I^2 of all current path	($T_u = 55^\circ\text{C}$) / ($T_u = 65^\circ\text{C}$)	$25 \text{ A}^2 / 9 \text{ A}^2$
Application category (NO)	AC-15	$U_e 230\text{V}, I_e 5 \text{ A}$
	DC-13	$U_e 24\text{V}, I_e 5 \text{ A}$
Short-circuit protection (NO), lead fuse / circuit breaker	6 A class gG / melting integral < 100 A^2s	
Mechanical life	10^7 switching cycles	
General data		
Creepage distances and clearances between the circuits	EN 60664-1	
Protection degree according to EN 60529 (housing / terminals)	IP40 / IP20	
Ambient temperature / storage temperature	$-25^\circ\text{C} - +65^\circ\text{C} / -25^\circ\text{C} - +75^\circ\text{C}$	
Wire ranges screw terminals,	fine-stranded / solid	$1 \times 0.2 \text{ mm}^2 - 2.5 \text{ mm}^2 / 2 \times 0.2 \text{ mm}^2 - 1.0 \text{ mm}^2$
	fine-stranded with ferrules	$1 \times 0.25 \text{ mm}^2 - 2.5 \text{ mm}^2 / 2 \times 0.25 \text{ mm}^2 - 1.0 \text{ mm}^2$
Permissible torque	0.5 - 0.6 Nm	
Wire ranges push-in terminals	$1 \times 0,25 \text{ mm}^2 - 1.5 \text{ mm}^2$	
Weight	24 V AC/DC device / AC device	0.2 kg
Standards	EN ISO 13849-1, EN 62061, EN 81-20/50, EN 50156-1, EN 61511	
Approvals	TÜV, cULus Listed, CCC	

¹⁾ If two-channel devices are installed as single channel, the value is halved.

SNO 4062K/KM

MONITORING OF EMERGENCY STOP, SAFETY GATES AND LIGHT BARRIERS



FUNCTION

SNO 4062K

The device is a two-channel switching device for emergency stop applications with self-monitoring on each ON-OFF cycle. It complies with EN 60204-1 and is equipped with forcibly guided relays.

BASIC FUNCTION:

With supply voltage applied to terminals A1/A2 and the safety inputs closed, pressing the reset button closes the enabling current paths (manual start). When the safety inputs are opened/de-energized the enabling current paths will open.

- **Manual start** When the safety inputs are closed, a button is used to open reset input S34 (triggering with falling edge) or to close reset input S35 (triggering with rising edge).
- **Automatic start** Reset input S35 is connected to S33. The device starts with the rising edge of the signal on safety input S12.

APPLICATIONS

- Protection of people and machinery
- Monitoring of emergency stop applications
- Monitoring of safety gates
- Monitoring of light barriers

SAFETY LEVEL

- Up to PL e / Category 4 (EN ISO 13849-1)
- Up to SIL_{CL} 3 (EN 62061)

FEATURES

- Stop Category 0 according to EN 60204-1
- Reset button monitoring
- Manual or automatic start
- Single-channel or two-channel control
- Cross monitoring
- 2 enabling current paths, 1 signal current path

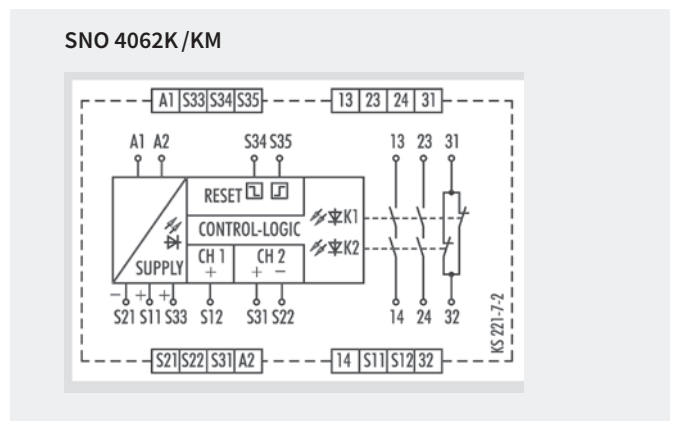
SNO 4062KM

The function of this device corresponds to that of the SNO 4062K without synchrocheck. The device is suitable for connecting to light curtains for Type 4 (EN 61496-1) and connecting to short-circuit forming 4-wire safety mats, switching strips or switching edges (without monitoring resistance).

- **Safety mats** The device must be operated with two channels and cross monitoring. If there is resistance $< 50 \Omega$ / channel and a short circuit between the channels (S11/S12 and S21/S22) the enabling paths open and the SUPPLY LEDs flashes.
- **Light curtain for Type 4 (EN 61496-1)** The device will be operated with two channels and without cross monitoring, if the light curtain connected to the OSSD detects a shunt fault on its own.

For applications with tactile operating modes (rapid ON-OFF cycles, for example with manual supply) we recommend using SNO 4062KM.

CIRCUIT DIAGRAM



OVERVIEW OF DEVICES

Type	Rated voltage	Terminals	Part no.	P.U.
SNO 4062K-A	24 V AC/DC	Screw terminals, pluggable	R1.188.0700.2	1
SNO 4062KM-A	24 V AC/DC	Screw terminals, pluggable	R1.188.0720.2	1
SNO 4062K-C	24 V AC/DC	Push-in terminals, pluggable	R1.188.2000.0	1

TECHNICAL DATA				
Function	Emergency stop relay			
Function display	3 LEDs, green			
Power supply circuit				
Rated voltage U_N	A1, A2	24 V AC/DC		
Rated consumption	24 V DC (K / KM)	2.0 W / 2.1 W		
Rated frequency	50 - 60 Hz			
Operating voltage range U_b	0,85 - 1,1 x U_N			
Electrical isolation supply circuit - control circuit	no			
Control circuit				
Rated output voltage	S11, S33/S21	22 V DC		
Input current / peak current	S12, S31/S22	40 mA / 100 mA		
	S34, S35	5 mA / 50 mA		
Response time t_{A1} / t_{A2}	40 ms / 500 ms (KM: 40 ms / 80 ms)			
Minimum ON time t_M	50 ms			
Recovery time t_W	150 ms			
Release time t_R	< 25 ms			
Synchronous time t_S	200 ms (CH1 → CH2)			
Permissible test pulse time t_{TP}	< 1 ms			
Max. resistivity, per channel ¹⁾	$\leq (5 + (1.176 \times U_b / U_N - 1) \times 100) \Omega$			
Output circuit				
Enabling paths	13/14, 23/24	normally open contact		
Signaling paths	31/32	normally closed contact		
Contact assignment	forcebly guided			
Contact type	Ag-alloy, gold-plated			
Rated switching voltage	enabling / signaling path	230 V AC		
Max. thermal current I_{th}	enabling / signaling path	6 A / 3 A		
Max. total current I^2 of all current path	($T_u = 55^\circ\text{C}$)	9 A ²		
Application category (NO)	AC-15	U_e 230 V, I_e 3 A		
	DC-13	U_e 24 V, I_e 2.5 A		
Short-circuit protection (NO), lead fuse / circuit breaker	6 A class gG / melting integral < 100 A ² s			
Mechanical life	10 ⁷ switching cycles			
General data				
Creepage distances and clearances between the circuits	EN 60664-1			
Protection degree according to EN 60529 (housing / terminals)	IP40 / IP20			
Ambient temperature / storage temperature	-25 °C - +55 °C / -25 °C - + 75 °C			
Wire ranges screw terminals,	fine-stranded / solid	1 x 0.2 mm ² - 2.5 mm ² / 2 x 0.2 mm ² - 1.0 mm ²		
	fine-stranded with ferrules	1 x 0.25 mm ² - 2.5 mm ² / 2 x 0.25 mm ² - 1.0 mm ²		
Permissible torque	0.5 - 0.6 Nm			
Wire ranges push-in terminals	1 x 0.25 mm ² - 1.5 mm ²			
Weight	24 V AC/DC device / AC device	0.21 kg		
Standards	EN ISO 13849-1, EN 62061			
Approvals	DGUV, cULus Listed, CCC			

¹⁾ If two-channel devices are installed as single channel, the value is halved.

SNO 4063K/KM

MONITORING OF EMERGENCY STOP, SAFETY GATES AND LIGHT BARRIERS



APPLICATIONS

- Protection of people and machinery
- Monitoring of emergency stop applications
- Monitoring of safety gates
- Monitoring of light barriers

SAFETY LEVEL

- Up to PL e / Category 4 (EN ISO 13849-1)
- Up to SIL_{CL} 3 (EN 62061)

FEATURES

- Stop Category 0 according to EN 60204-1
- Manual or automatic start
- Cross monitoring
- Single-channel or two-channel control
- 3 enabling current paths

FUNCTION

SNO 4063K

The device is a two-channel switching device for emergency stop applications with self-monitoring on each ON-OFF cycle. It complies with EN 60204-1 and is equipped with forcibly guided relays.

After supply voltage has been applied to the A1/A2 terminals and the safety inputs have been closed, pressing the reset button closes the enabling current paths (manual start). When the safety inputs are opened/de-energized the enabling current paths will open.

- **Manual start** When the safety inputs are closed, a button is used to open reset input S34 (triggering with falling edge) or to close reset input S35 (triggering with rising edge).
- **Automatic start** Reset input S35 is connected to S33. The device starts with the rising edge of the signal on safety input S12.

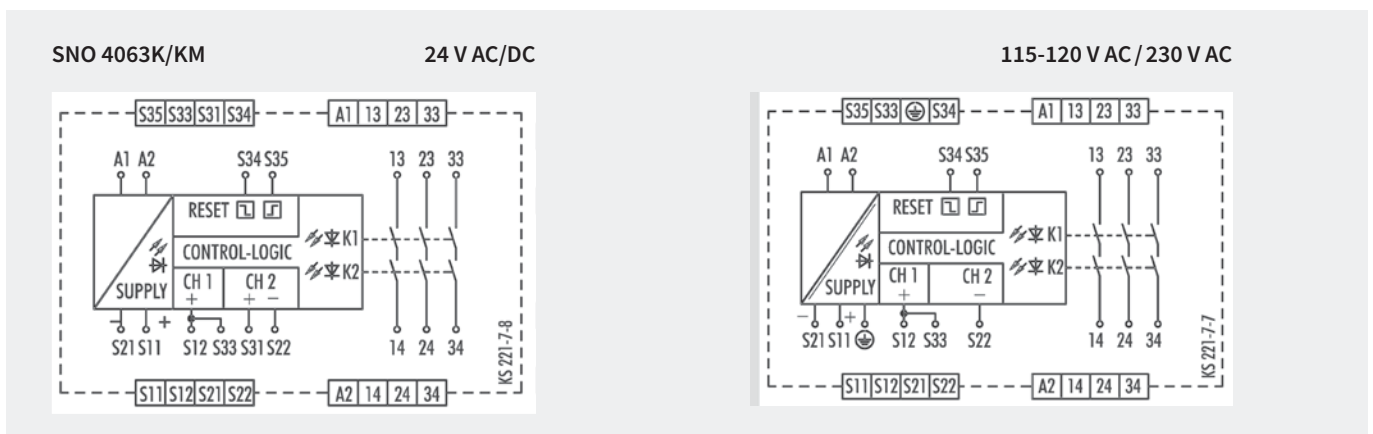
SNO 4063KM

The function of this device corresponds to that of the SNO 4063K. The device is suitable for connecting to light curtains for Type 4 (EN 61496-1) and to short-circuit forming 4-wire safety mats, switching strips or switching edges (without monitoring resistance).

- **Safety mats** The device must be operated with two channels and cross monitoring. If there is resistance $< 50 \Omega$ / channel and a short circuit between the channels (S11/S12 and S21/S22) the enabling paths open and the SUPPLY LEDs flash.
- **Light curtain for Type 4 (EN 61496-1)** The device will be operated with two channels and without cross monitoring, if the light curtain connected to the OSSD detects a shunt fault on its own.

For applications with tactile operating modes (rapid ON-OFF cycles, for example at manual supply) we recommend the use of SNO 4063KM.

CIRCUIT DIAGRAM



OVERVIEW OF DEVICES

Type	Rated voltage	Terminals	Part no.	P.U.
SNO 4063K-A	12 V DC	Screw terminals, pluggable	R1.188.1120.0	1
	24 V AC/DC	Screw terminals, pluggable	R1.188.0990.0	1
	115 – 120 V AC	Screw terminals, pluggable	R1.188.1000.0	1
	230 V AC	Screw terminals, pluggable	R1.188.1010.0	1
SNO 4063K-C	24 V AC/DC	Push-in terminals, pluggable	R1.188.2450.0	1
SNO 4063KM-A	24 V AC/DC	Screw terminals, pluggable	R1.188.1280.0	1

TECHNICAL DATA

Function	Emergency stop relay		
Function display	3 LEDs, green		
Power supply circuit			
Rated voltage U_N	A1, A2	24 V AC/DC, 115-120 V AC, 230 V AC	
Rated consumption	24 V DC (K / KM)	2.0 W / 2.1 W	
	115-120 V AC, 230 V AC	2.4 W / 4.4 VA	
Rated frequency	50 - 60 Hz		
Operating voltage range U_B	0.85 - 1.1 x U_N		
Electrical isolation supply circuit - control circuit	yes (at $U_N = 115-230$ V AC, 230 V AC)		
Control circuit			
Rated output voltage	S11/S21	22 V DC	
Input current / peak current	S12/S33, S31/S22	40 mA / 100 mA	
	S34, S35	5 mA / 50 mA	
Response time t_{A1} / t_{A2}	40 ms / 600 ms		
Minimum ON time t_M	50 ms		
Recovery time t_W	100 ms		
Release time t_R	< 25 ms		
Synchronous time t_S	200 ms (CH1 → CH2)		
Permissible test pulse time t_{TP}	< 1 ms		
Max. resistivity, per channel ¹⁾	24 V AC/DC	$\leq (5 + (1.176 \times U_B / U_N - 1) \times 100) \Omega$	
	115-120 V AC, 230 V AC	$\leq (5 + (1.176 \times U_B / U_N - 1) \times 100) \Omega$	
Output circuit			
Enabling paths	13/14, 23/24, 33/34	normally open contact	
Contact assignment	forcebly guided		
Contact type	Ag-alloy, gold-plated		
Rated switching voltage	enabling path	230 V AC	
Max. thermal current I_{th}	enabling path	6 A	
Max. total current I^2 of all current path	($T_u = 55$ °C)	9 A ²	
Application category (NO)	AC-15	U_e 230 V, I_e 3 A	
	DC-13	U_e 24 V, I_e 2.5 A	
Short-circuit protection (NO), lead fuse / circuit breaker	6 A class gG / melting integral < 100 A ² s		
Mechanical life	10 ⁷ switching cycles		
General data			
Creepage distances and clearances between the circuits	EN 60664-1		
Protection degree according to EN 60529 (housing / terminals)	IP40 / IP20		
Ambient temperature / storage temperature	-25 °C - +55 °C / -25 °C - +75 °C		
Wire ranges screw terminals,	fine-stranded / solid	1 x 0.2 mm ² – 2.5 mm ² / 2 x 0.2 mm ² – 1.0 mm ²	
	fine-stranded with ferrules	1 x 0.25 mm ² – 2.5 mm ² / 2 x 0.25 mm ² – 1.0 mm ²	
Permissible torque	0.5 - 0.6 Nm		
Wire ranges push-in terminals	1 x 0.25 mm ² – 1.5 mm ²		
Weight	24 V AC/DC device / AC device	0-21 kg / 0-25 kg	
Standards	EN ISO 13849-1, EN 62061		
Approvals	DGUV, cULus Listed, CCC		

¹⁾ If two-channel devices are installed as single channel, the value is halved.

SNA 4043K/KM/KE, SNA 4044K/KM

MONITORING OF EMERGENCY STOP, SAFETY GATES AND LIGHT BARRIERS



APPLICATIONS

- Protection of people and machinery
- Monitoring of emergency stop applications
- Monitoring of safety gates
- Monitoring of light barriers

SAFETY LEVEL

- Up to PL e / Category 4 (EN ISO 13849-1)
- Up to SIL_{CL} 3 (EN 62061)

FEATURES

- Stop Category 0 according to EN 60204-1
- Single-channel or two-channel control
- Automatic start
- Manual reset without monitoring
- Cross monitoring
- 3 to 4 enabling current paths

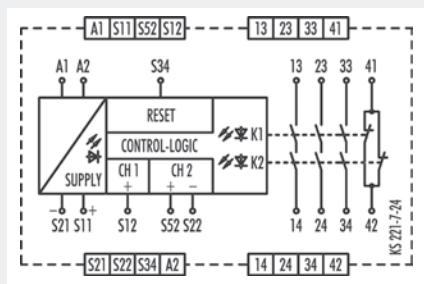
FUNCTION

Emergency stop and safety gate monitor The safety switching devices of our SNA product line are used to monitor safety sensors (emergency stop buttons, safety gate switches, etc.), feature a large number of safety switching contacts (3 NO contacts/1 NC contact or 4 NO contacts) with a total width of only 22.5 mm at a constant current of up to 8 A. They can be implemented in the extended temperature range up to 65° C.

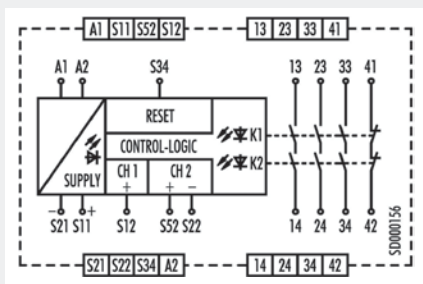
- **Automatic start** – Reset input S34 is connected to safety input S11. To monitor external contact blocks (EDM), their NC contacts must be connected in series between S34 and S11.
- **Manual start without monitoring** – Reset input S34 is connected to safety input S11 via a RESET button. To monitor external contact blocks (EDM), their NC contacts must be connected to the RESET button in series.
- **Monitoring of light curtains** – The KM device types are especially suitable for the monitoring of very fast tactile switching operations, for example in safety light curtain applications. Very short switch-off procedures of a few milliseconds are detected reliably and lead to the switching off of the internal relays.

CIRCUIT DIAGRAM

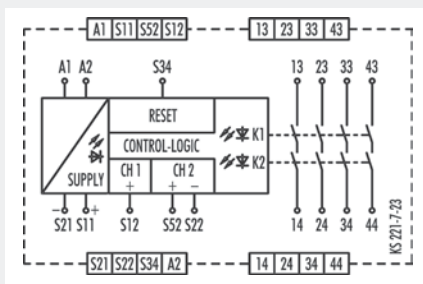
SNA 4043K/KM



SNA 4043KE



SNA 4044K/KM



OVERVIEW OF DEVICES

Type	Rated voltage	Terminals	Part no.	P.U.
SNA 4043K-A	24 V AC/DC	Screw terminals, pluggable	R1.188.1810.0	1
SNA 4043K-A	115-120 V AC	Screw terminals, pluggable	R1.188.1830.0	1
SNA 4043K-A	230 V AC	Screw terminals, pluggable	R1.188.1840.0	1
SNA 4043K-C	24 V AC/DC	Push-in terminals, pluggable	R1.188.1940.0	1
SNA 4043K-C	230 V AC	Push-in terminals, pluggable	R1.188.5000.0	1
SNA 4043KM-A	24 V AC/DC	Screw terminals, pluggable	R1.188.3250.0	1
SNA 4043KE-A	AC/DC 24 V	Screw terminals, pluggable	R1.188.3810.0	1
SNA 4043KE-C	AC/DC 24 V	Push-in terminals, pluggable	R1.188.3820.0	1
SNA 4044K-A	24 V AC/DC	Screw terminals, pluggable	R1.188.1860.0	1
SNA 4044K-A	230 V AC	Screw terminals, pluggable	R1.188.1890.0	1
SNA 4044K-C	24 V AC/DC	Push-in terminals, pluggable	R1.188.1960.0	1
SNA 4044KM-A	24 V AC/DC	Screw terminals, pluggable	R1.188.1480.0	1
SNA 4044KM-C	24 V AC/DC	Push-in terminals, pluggable	R1.188.3410.0	1

TECHNICAL DATA

Function	Emergency stop relay			
Function display	3 LEDs, green			
Power supply circuit				
Rated voltage U_N	A1, A2	24 V AC/DC / 42-48 V AC / 115-120 V AC / 230 V AC		
Rated consumption	24 V DC / 24 V AC	1.6 W / 2.9 VA		
	42-48 V AC / 115-120 V AC / 230 V AC	2.3 W / 2.6 VA		
Rated frequency	50 - 60 Hz			
Operating voltage range U_B	0.85 - 1.1 x U_N			
Electrical isolation supply circuit - control circuit	yes (at $U_N = 42-48$ V AC, 115-230 V AC, 230 V AC)			
Control circuit				
Rated output voltage	S11/S21	24 V DC		
Input current / peak current	S12, S52/S22 S34	25 mA / 100 mA 5 mA / 50 mA		
Response time t_{A1} / t_{A2}	350 ms / 350 ms			
Minimum ON time t_M	100 ms			
Recovery time t_W	750 ms			
Release time t_R	10 ms			
Synchronous time t_S	no			
Permissible test pulse time t_{TP}	≤ 1 ms			
Max. resistivity, per channel ¹⁾	24V AC/DC	$\leq (5 + (1.176 \times U_B / U_N - 1) \times 100) \Omega$		
	42-48V AC / 115-120 V AC, 230 V AC	$\leq (5 + (1.176 \times U_B / U_N - 1) \times 100) \Omega$		
Output circuit				
Enabling paths	SNA 4043K/KM	SNA 4044K/KM	normally open contact	
Signaling paths	13/14, 23/24, 33/34	13/14, 23/24, 33/34, 43/44	normally closed contact	
Contact assignment	41/42	---	forcebly guided	
Contact type	Ag-alloy, gold-plated			
Rated switching voltage	enabling / signaling path		230 V AC	
Max. thermal current I_{th}	enabling / signaling path		8 A / 5 A	
Max. total current I^2 of all current path	(Tu = 55 °C) / (Tu = 65 °C)		25 A ² / 9 A ²	
Application category (NO)	AC-15 DC-13		U_e 230 V, I_e 5 A U_e 24 V, I_e 5 A	
Short-circuit protection (NO), lead fuse / circuit breaker	6 A class gG / melting integral < 100 A ² s			
Mechanical life	10^7 switching cycles			
General data				
Creepage distances and clearances between the circuits	EN 60664-1			
Protection degree according to EN 60529 (housing / terminals)	IP40 / IP20			
Ambient temperature / storage temperature	-25 °C - +65 °C / -25 °C - +75 °C			
Wire ranges screw terminals,	fine-stranded / solid		1 x 0.2 mm ² - 2.5 mm ² / 2 x 0.2 mm ² - 1.0 mm ²	
	fine-stranded with ferrules		1 x 0.25 mm ² - 2.5 mm ² / 2 x 0.25 mm ² - 1.0 mm ²	
Permissible torque	0.5 - 0.6 Nm			
Wire ranges push-in terminals	1 x 0.25 mm ² - 1.5 mm ²			
Weight	24 V AC/DC device / AC device		0.21 kg / 0.25 kg	
Standards	EN ISO 13849-1, EN 62061, EN 81-20/50, EN 50156-1, EN 61511			
Approvals	TÜV, cULus Listed, CCC			

¹⁾ If two-channel devices are installed as single channel, the value is halved.

SNA 4063K/KM

MONITORING OF EMERGENCY STOP, SAFETY GATES AND LIGHT BARRIERS



APPLICATIONS

- Monitoring of emergency stop applications
- Monitoring of safety gates
- Monitoring of light barriers

SAFETY LEVEL

- Up to PL e / Category 4 (EN ISO 13849-1)
- Up to SIL_{CL}3 (EN 62061)

FEATURES

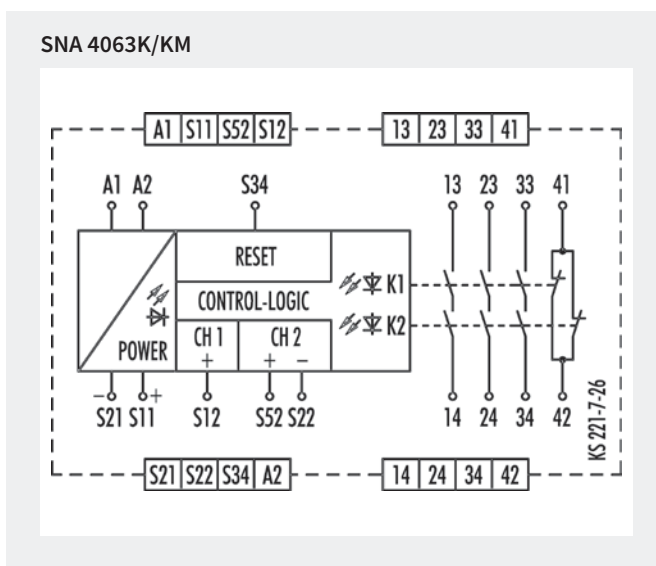
- Stop Category 0 according to EN 60204-1
- Single-channel or two-channel control
- Manual reset with monitoring
- Cross monitoring
- 3 to 4 enabling current paths

FUNCTION

After the supply voltage is applied to terminals A1/A2 and the safety inputs are closed, the enabling current paths (NO contacts) are closed and the signal current path (NC contact) is opened by pressing the reset button (manual start with monitoring). When the safety inputs are opened/de-energized, the enabling current paths (NO contacts) are opened immediately.

- **Manual start with monitoring** – Reset input S34 is connected to safety input S11 via a RESET button. To monitor external contact blocks (EDM), their NC contacts must be connected in series to the RESET button.
- **Monitoring of light curtains** – The **KM device types** are especially suitable for the monitoring of very fast tactile switching operations, for example in safety light curtain applications. Very short switch-off procedures of a few milliseconds are detected reliably and lead to the switching off of the internal relays.

CIRCUIT DIAGRAM



OVERVIEW OF DEVICES

Type	Rated voltage	Terminals	Part no.	P.U.
SNA 4063K-A	24 V AC/DC	Screw terminals, pluggable	R1.188.1440.0	1
SNA 4063K-A	115-120 V AC	Screw terminals, pluggable	R1.188.1450.0	1
SNA 4063K-A	230 V AC	Screw terminals, pluggable	R1.188.1460.0	1
SNA 4063K-C	24 V AC/DC	Push-in terminals, pluggable	R1.188.1950.0	1
SNA 4063K-C	230 V AC	Push-in terminals, pluggable	R1.188.5000.0	1
SNA 4063KM-A	24 V AC/DC	Screw terminals, pluggable	R1.188.3290.0	1
SNA 4063KM-C	24 V AC/DC	Push-in terminals, pluggable	R1.188.3420.0	1

TECHNICAL DATA				
Function	Emergency stop relay			
Function display	3 LEDs, green			
Power supply circuit				
Rated voltage U_N	A1, A2	24 V AC/DC / 115-120 V AC / 230 V AC		
Rated consumption	24V DC / 24 V AC	1.6 W / 2.9 VA		
	42-48V AC / 115-120V AC / 230 V AC	2.3 W / 2.6 VA		
Rated frequency	50 - 60 Hz			
Operating voltage range U_B	0.85 - 1.1 x U_N			
Electrical isolation supply circuit - control circuit	yes (at $U_N = 115-230$ V AC, 230 V AC)			
Control circuit				
Rated output voltage	S11/S21	24 V DC		
Input current / peak current	S12, S52/S22 S34	25 mA / 100 mA 5 mA / 50 mA		
Response time t_{A1} / t_{A2}	100 ms / ---			
Minimum ON time t_M	100 ms			
Recovery time t_W	750 ms			
Release time t_R	10 ms			
Synchronous time t_S	no			
Permissible test pulse time t_{TP}	< 1 ms			
Max. resistivity, per channel ¹⁾	24V AC/DC	$\leq (5 + (1,176 \times U_B / U_N - 1) \times 100) \Omega$		
	42-48V AC / 115-120 V AC, 230 V AC	$\leq (5 + (1,176 \times U_B / U_N - 1) \times 100) \Omega$		
Output circuit				
Enabling paths	SNA 4063K/KM	SNA 4064K/KM	normally open contact	
Signaling paths	13/14, 23/24, 33/34	13/14, 23/24, 33/34, 43/44	normally closed contact	
Contact assignment	41/42	---	forcebly guided	
Contact type	Ag-alloy, gold-plated			
Rated switching voltage	enabling / signaling path		230 V AC	
Max. thermal current I_{th}	enabling / signaling path		8 A / 5 A	
Max. total current I^2 of all current path	(Tu = 55 °C) / (Tu = 65 °C)		25 A ² / 9 A ²	
Application category (NO)	AC-15 DC-13		U_e 230 V, I_e 3 A U_e 24 V, I_e 2.5 A	
Short-circuit protection (NO), lead fuse / circuit breaker	6 A class gG / melting integral < 100 A ² s			
Mechanical life	10 ⁷ switching cycles			
General data				
Creepage distances and clearances between the circuits	EN 60664-1			
Protection degree according to EN 60529 (housing / terminals)	IP40 / IP20			
Ambient temperature / storage temperature	-25 °C - +65 °C / -25 °C - + 75 °C			
Wire ranges screw terminals,	fine-stranded / solid	1 x 0.2 mm ² - 2.5 mm ² / 2 x 0.2 mm ² - 1.0 mm ²		
	fine-stranded with ferrules	1 x 0.25 mm ² - 2.5 mm ² / 2 x 0.25 mm ² - 1.0 mm ²		
Permissible torque	0-5 - 0-6 Nm			
Wire ranges push-in terminals	1 x 0-25 mm ² bis 1-5 mm ²			
Weight	24 V AC/DC device / AC device		0-21 kg / 0-25 kg	
Standards	EN ISO 13849-1, EN 62061, EN 81-20/50, EN 50156-1, EN 61511			
Approvals	TÜV, cULus Listed, CCC			

¹⁾ If two-channel devices are installed as single channel, the value is halved.

SNO 4003K

MONITORING OF EMERGENCY STOP AND SAFETY GATES



APPLICATIONS

- Protection of people and machinery
- Monitoring of emergency stop applications
- Monitoring of safety gates

SAFETY LEVEL

- Up to PL d / Category 3 (EN ISO 13849-1)*
- Up to SIL_{CL} 2 (EN 62061)*

FEATURES

- Stop Category 0 according to EN 60204-1
- Single-channel or two-channel control
- Manual or automatic start
- 3 enabling current paths, 1 signal current path
- Feedback loop for monitoring external contactors

* PLe contact expansion

FUNCTION

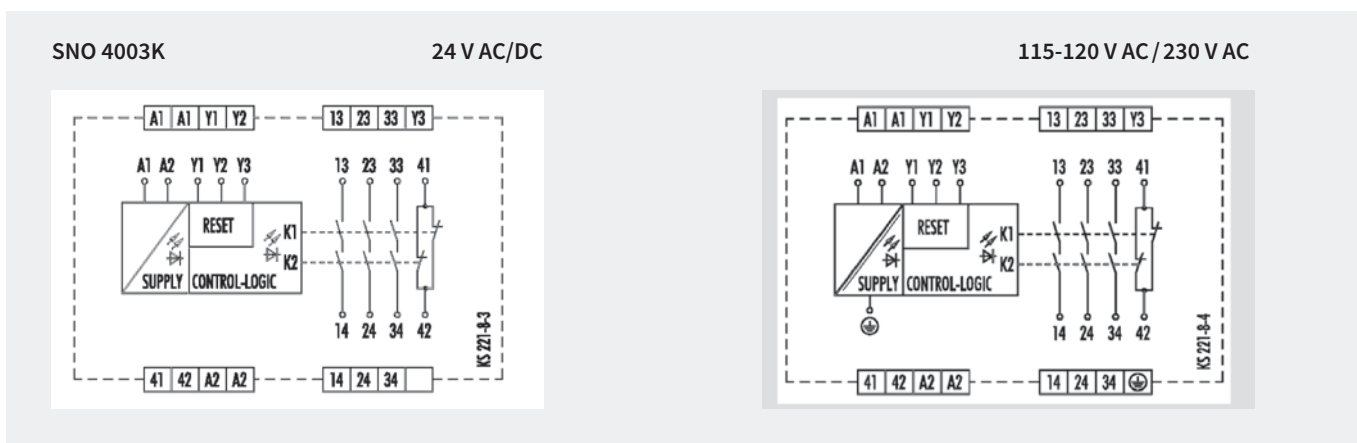
The device is a single-channel switching device for emergency stop applications with self-monitoring on each ON-OFF cycle. It complies with EN 60204-1 and is equipped with forcibly guided relays.

The device has either two Y2 reset inputs (without reset monitoring) or two Y3 reset inputs (with reset monitoring). The K1 and K2 relays are actuated either automatically (bridge Y1 Y2) or after the reset button (on Y1 Y3) has been pressed. They become self-locking through their own contacts, if there is an electrical connection between terminal A1 and the supply voltage (emergency stop button, position switches).

After this switch-on phase the enabling current paths are closed and the signaling current path is open.

If the electrical connections between terminal A1 and the supply voltage are interrupted, the enabling current paths open and the signaling current path closes. The energized state (self-locking) of the two channels is indicated by a green LED K1, K2. The second green LED indicates that supply voltage has been applied. The set-up of an emergency stop facility after stop Category 0 (EN 60204-1) is possible.

CIRCUIT DIAGRAM



OVERVIEW OF DEVICES

Type	Rated voltage	Terminals	Part no.	P.U.
SNO 4003K-A	24 V AC/DC	Screw terminals, pluggable	R1.188.0500.1	1
	115 – 120 V AC	Screw terminals, pluggable	R1.188.0900.1	1
	230 V AC	Screw terminals, pluggable	R1.188.0910.1	1
SNO 4003K-C	24 V AC/DC	Push-in terminals, pluggable	R1.188.1990.0	1
	115 – 120 V AC	Push-in terminals, pluggable	R1.188.4000.0	1
	230 V AC	Push-in terminals, pluggable	R1.188.4010.0	1

TECHNICAL DATA

Function	Emergency stop relay	
Function display	2 LEDs, green	
Power supply circuit		
Rated voltage U_N	A1, A2	24 V AC/DC / 115-120 V AC / 230 V AC
Rated consumption	24 V DC	1.3 W
	115-120 V AC, 230 V AC	2.2 W / 3.9 VA
Rated frequency	50 - 60 Hz	
Operating voltage range U_B	0.85 - 1.1 x U_N	
Electrical isolation supply circuit - control circuit	yes (at $U_N = 115-120$ V AC, 230 V AC)	
Control circuit		
Rated output voltage	Y1	24 V DC
Input current / peak current	Y2, Y3	90 mA / 1500 mA
Response time t_{A1} / t_{A2}	60 ms	
Minimum ON time t_M (Manueller Start)	60 ms	
Recovery time t_W	200 ms	
Release time t_R	60 ms	
Max. resistivity	24V AC/DC	$\leq (2.5 + (1.176 \times U_B / U_N - 1) \times 50) \Omega$
	115-120 V AC, 230 V AC	$\leq (7.5 + (1.176 \times U_B / U_N - 1) \times 150) \Omega$
Output circuit		
Enabling paths	13/14, 23/24, 33/34	
Signaling paths	41/42	normally closed contact
Contact assignment	forcebly guided	
Contact type	Ag-alloy, gold-plated	
Rated switching voltage	enabling / signaling path	230 V AC
Max. thermal current I_{th}	enabling / signaling path	8 A / 5 A
Max. total current I^2 of all current path	($T_u = 55^\circ\text{C}$)	9 A^2
Application category (NO)	AC-15	$U_e 230 \text{ V}, I_e 5 \text{ A}$
	DC-13	$U_e 24 \text{ V}, I_e 5 \text{ A}$
Short-circuit protection (NO), lead fuse / circuit breaker	6 A class gG / melting integral $< 100 \text{ A}^2\text{s}$	
Mechanical life	10^7 switching cycles	
General data		
Creepage distances and clearances between the circuits	EN 60664-1	
Protection degree according to EN 60529 (housing / terminals)	IP40 / IP20	
Ambient temperature / storage temperature	$-25^\circ\text{C} - +55^\circ\text{C} / -25^\circ\text{C} - +75^\circ\text{C}$	
Wire ranges screw terminals,	fine-stranded / solid	$1 \times 0.2 \text{ mm}^2 - 2.5 \text{ mm}^2 / 2 \times 0.2 \text{ mm}^2 - 1.0 \text{ mm}^2$
	fine-stranded with ferrules	$1 \times 0.25 \text{ mm}^2 - 2.5 \text{ mm}^2 / 2 \times 0.25 \text{ mm}^2 - 1.0 \text{ mm}^2$
Permissible torque	0.5 - 0.6 Nm	
Wire ranges push-in terminals	$1 \times 0.25 \text{ mm}^2 - 1.5 \text{ mm}^2$	
Weight	24 V AC/DC device / AC device	0.20 kg / 0.25 kg
Standards	EN ISO 13849-1, EN 62061	
Approvals	DGUV, cULus Listed, CCC	

SNO 1012K

MONITORING OF EMERGENCY STOP AND SAFETY GATES



APPLICATIONS

- Protection of people and machinery
- Monitoring of emergency stop applications
- Monitoring of safety gates

SAFETY LEVEL

- Up to PL d / Category 3 (EN ISO 13849-1)
- Up to SIL_{CL} 2 (EN 62061)

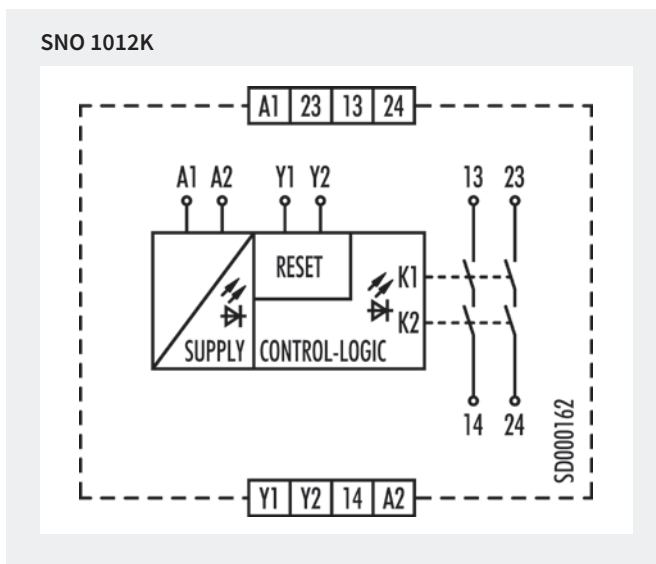
FEATURES

- Stop Category 0 according to EN 60204-1
- Single-channel or two-channel control
- Manual or automatic start
- 2 enabling current paths
- Check of external contactors (EDM)
- Compact design

FUNCTION

After the operating voltage (L+/L1) is applied via an unactuated emergency stop button or safety gate contact on A1 and A2, the device can be switched on via a Y1/Y2-connected reset button. When the device is on, the internal relays K1 and K2 are energized and the enabling current paths 13/14 and 23/24 are closed. When the emergency stop button or the safety gate contact is actuated, the current supply of the internal relays is interrupted and the enabling current paths are opened.

CIRCUIT DIAGRAM



OVERVIEW OF DEVICES

Type	Rated voltage	Terminals	Part no.	P.U.
SNO 1012K-A	24 V AC/DC	Screw terminals, pluggable	R1.188.3740.0	1
SNO 1012K-C	24 V AC/DC	Push-in terminals, pluggable	R1.188.3750.0	1

TECHNICAL DATA				
Function	Emergency stop relay			
Function display	2 LEDs, green			
Power supply circuit				
Rated voltage U_N	A1, A2	24 V AC/DC		
Rated consumption	24 V DC	1 W / 2 VA		
Rated frequency	50 - 60 Hz			
Operating voltage range U_B	0.85 - 1.1 x U_N			
Electrical isolation supply circuit - control circuit	no			
Control circuit				
Rated output voltage	Y1	24 V DC		
Input current / peak current	Y2	50 mA / 70 mA		
Response time t_{A1} / t_{A2}	< 20 ms / < 70 ms			
Minimum ON time t_M	30 ms			
Recovery time t_W	> 200 ms			
Release time t_R	< 70 ms			
Max. resistivity	$\leq (2.5 + (1.176 \times U_B / U_N - 1) \times 50) \Omega$			
Output circuit				
Enabling paths	13/14, 23/24	normally open contact		
Contact assignment	forcebly guided			
Contact type	Ag-alloy, gold-plated			
Rated switching voltage	240 V AC / 50V DC			
Max. thermal current I_{th}	enabling path	6 A		
Max. total current I^2 of all current path	($T_u = 55^\circ\text{C}$)	72 A ² / 9 A ²		
Application category (NO)	AC-15	U_e 230 V, I_e 3 A		
	DC-13	U_e 24 V, I_e 3 A		
Short-circuit protection (NO), lead fuse / circuit breaker	6 A class gG / melting integral < 100 A ² s			
Mechanical life	10 x 10 ⁶ switching cycles			
General data				
Creepage distances and clearances between the circuits	EN 60664-1			
Protection degree according to EN 60529 (housing / terminals)	IP40 / IP20			
Ambient temperature / storage temperature	-25 °C - +55 °C / -25 °C - + 75 °C			
Wire ranges screw terminals,	fine-stranded / solid	1 x 0.2 mm ² - 2.5 mm ² / 2 x 0.2 mm ² - 1.0 mm ²		
	fine-stranded with ferrules	1 x 0.25 mm ² - 2.5 mm ² / 2 x 0.25 mm ² - 1.0 mm ²		
Permissible torque	0.5 - 0.6 Nm			
Wire ranges push-in terminals	2 x 0.25 mm ² - 1.5 mm ²			
Weight	0.12 kg			
Standards	EN ISO 13849-1, EN 62061			
Approvals	TÜV, cULus Listed, CCC			

SNS 4074K / 4084K - MOTION RELAY

SPEED MONITOR WITH SENSORS



APPLICATIONS

- Standstill monitoring
- Monitoring of electrical lockout devices
- Control of spring-actuated tumblers
- Monitoring of low rotational speeds in setup operation

SAFETY LEVEL

- Up to PL e / Category 4 (EN ISO 13849-1)
- Up to SIL_{CL} 3 (EN 62061)

FEATURES

- Reliable monitoring of dynamic input signals
- Adjustable monitoring frequency 0.1 – 99 Hz
- 4 selectable operating mode groups
- Single-channel or two-channel control
- Manual or automatic start
- Cross monitoring
- 4 safe semi-conductor outputs

STANDSTILL MONITORING FUNCTION

The SNS 4084K standstill monitor provides for the safe monitoring of the frequency of a signal at inputs I1 to I4 of the device. If the frequency of the impulses is higher than the frequency set at the rotary switches (0.1 – 99 Hz), outputs Q1/Q2 will switch off. This monitoring function can be used to detect the standstill or a lower, safer rotational speed of a machine.

In applications of this sort, a spring-actuated or magnet-actuated tumbler of an electric interlocking device, for example, can be controlled from the output of the device.

The sensors for the detection of movement can, for example, be two inductive proximity switches or a rotary encoder connected to inputs I1 - I4. The frequency of the impulses to be monitored is set at the two rotary switches and splitter input T1, and is stored in the device on which the ENTER button is pressed while the voltage is applied to the device.

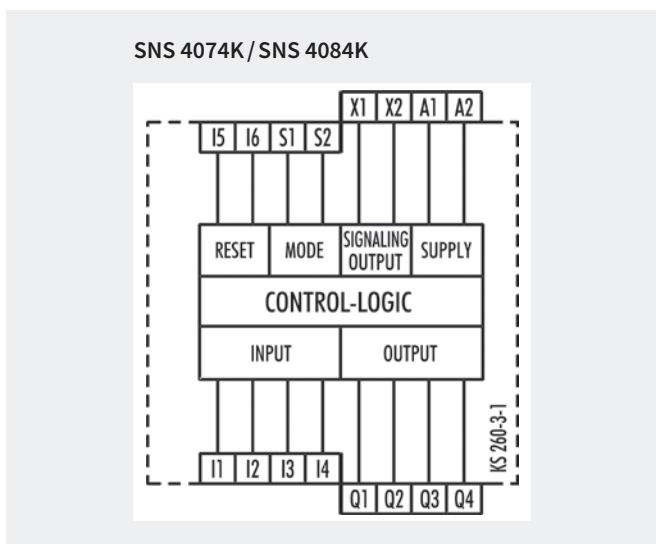
SNS 4074K

The device features a bypass input, which allows safety-oriented bypassing of the monitoring function, e.g. when a safe position has been reached. In this case, the signal must fulfill at least the safety category of the selected monitoring function.

SNS 4084K

The device features an input for the implementation of a start override, which allows the safe outputs to be switched off even during machine standstill. This means, for example, that a spring-activated protective locking facility can be activated during machine start-up.

CIRCUIT DIAGRAM

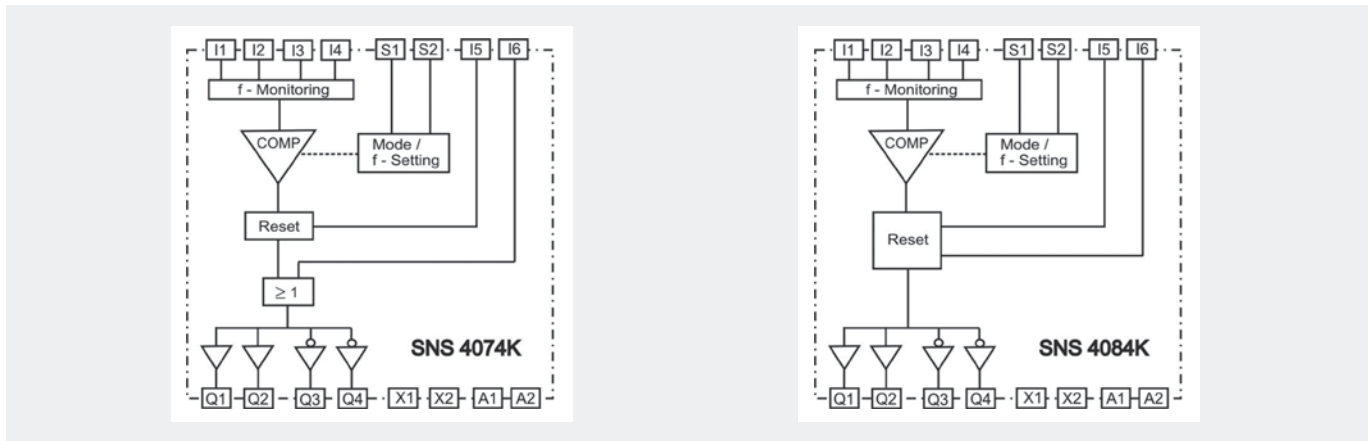


Terminals	Description
A1	+ 24 V
A2	GND
X1 / X2	Signal output, semi-conductor (plus switching)
S1	Configuration input for operating mode group
S2	Configuration input for operating mode group
I1	Sensor input
I2	Sensor / configuration input (depending on the operating mode group)
I3	Sensor / configuration input (depending on the operating mode group)
I4	Sensor / configuration input (depending on the operating mode group)
I5	Reset input
I6	Bypass input (SNS 4074K) / start override input (SNS 4084K)
Q1 / Q2	Safe Output, semi-conductor (plus switching)
Q3 / Q4	Safe Output, semi-conductor (plus switching), inverted

OVERVIEW OF DEVICES

Type	Frequency range	Terminals	Part no.	P.U.
SNS 4074K-A	0.5 - 99 Hz	Screw terminals, pluggable	R1.188.3640.0	1
SNS 4074K-A	0.1 - 9.9 Hz	Screw terminals, pluggable	R1.188.3620.0	1
SNS 4084K-A	0.5 - 99 Hz	Screw terminals, pluggable	R1.188.3480.0	1
SNS 4084K-A	0.1 - 9.9 Hz	Screw terminals, pluggable	R1.188.3660.0	1

FUNCTION DIAGRAM



TECHNICAL DATA		
Function		Standstill monitoring
Function display		12 LEDs, green/red
Function mode / adjustment		Frequency monitoring / 2 x-position switch
Adjustment range	f_{ST}	0,1 - 99 Hz / 0,5 - 99 Hz
Power supply circuit		
Rated voltage U_N	A1, A2	24 V DC
Rated consumption	24 V DC	1.8 W
Operating voltage range U_B		0.85 - 1.1 x U_N
Electrical isolation supply circuit - control circuit		no
Control circuit		
Rated output voltage		24 V DC
Input current / peak current	I1 - I6, S1, S2	3 mA / 3,8 mA
Minimum ON time t_M		100 ms (< 5 s)
Release time t_R		12 ms + 1.6 / f_{ST}
Max. cable length per input		100 m
Output circuit		
Enabling paths	Q1, Q2, Q3, Q4	Semi-conductor (plus switching), safety-related
Signaling paths	X1, X2	Semi-conductor (plus switching), not safety-related
Rated switching voltage	enabling path	30 V DC
Max. thermal current I_{th}	enabling path	2 A
Max. total current I^2 of all current path	($T_u = 55^\circ C$)	4 A
Mechanical life		Must be short-circuit proof
General data		
Creepage distances and clearances between the circuits		EN 60664-1
Protection degree according to EN 60529 (housing / terminals)		IP40 / IP20
Ambient temperature / storage temperature		-25 °C - +55 °C / -25 °C - + 75 °C
Wire ranges screw terminals,	fine-stranded / solid	1 x 0.2 mm ² - 2.5 mm ² / 2 x 0.2 mm ² - 1.0 mm ²
	fine-stranded with ferrules	1 x 0.25 mm ² - 2.5 mm ² / 2 x 0.25 mm ² - 1.0 mm ²
Permissible torque		0.5 - 0.6 Nm
Wire ranges push-in terminals		1 x 0.25 mm ² - 1.5 mm ²
Weight		0.16 kg
Standards		EN ISO 13849-1, EN 62061
Approvals		TÜV, cULus Listed

SVM - MOTION RELAY

SENSORLESS STANDSTILL MONITOR



APPLICATIONS

- Standstill monitoring
- Monitoring of electrical lockout devices
- Control of spring-actuated tumblers
- Monitoring of low rotational speeds in setup operation

SAFETY LEVEL

- Up to PL e / Category 4 (EN ISO 13849-1)
- Up to SIL_{CL} 3 (EN 62061)

FEATURES

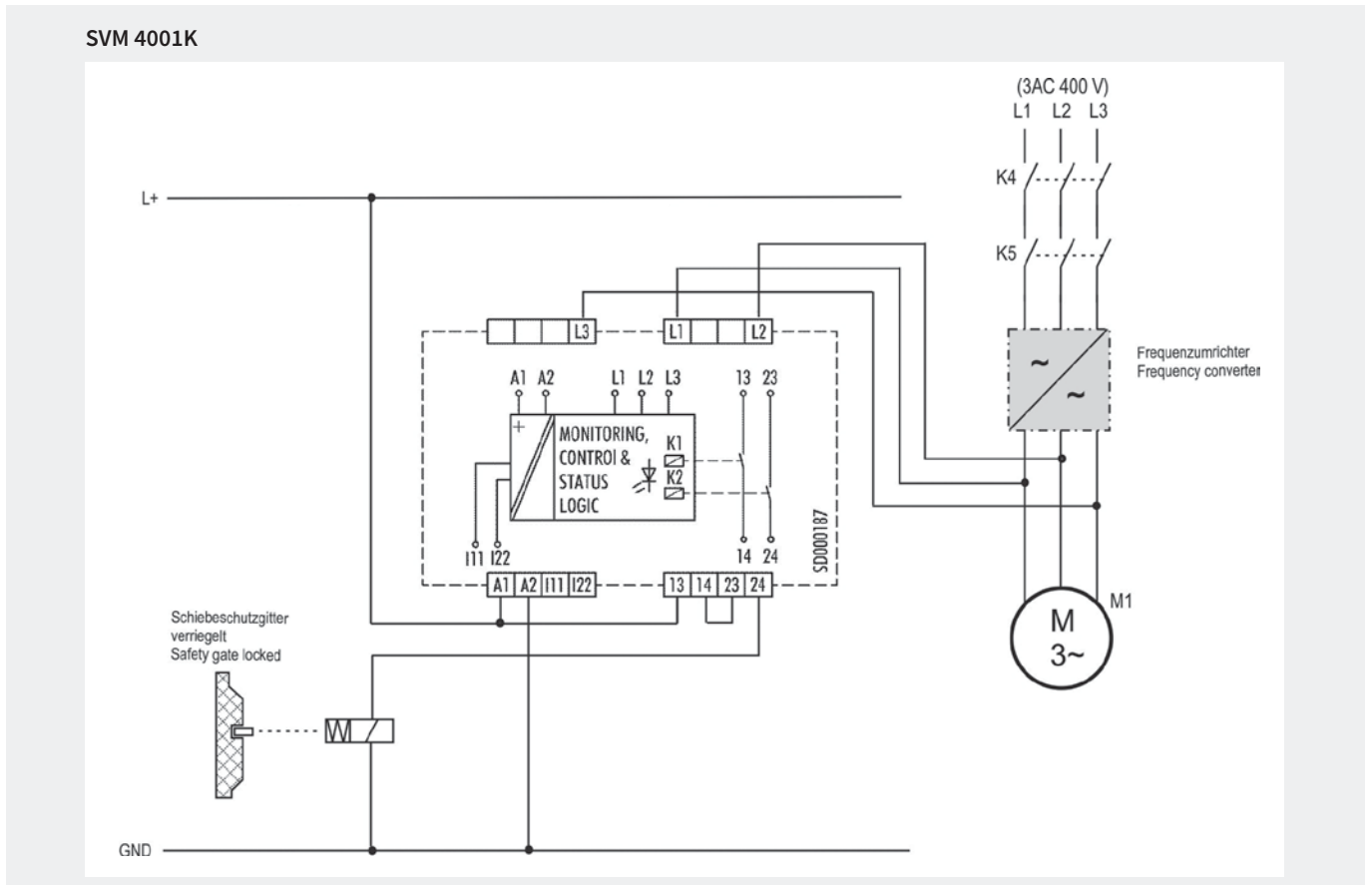
- Sensorless monitoring of 1-phase and 3-phase motors
- Safe, configurable voltage monitoring
- Automatic operation

FUNCTION

The SVM 4001K device monitors machines, the 3-phase powered drive units of which have no movement detection sensors.

When the drives are set in motion or if faults are detected, the standstill monitor relay assumes the rest position.

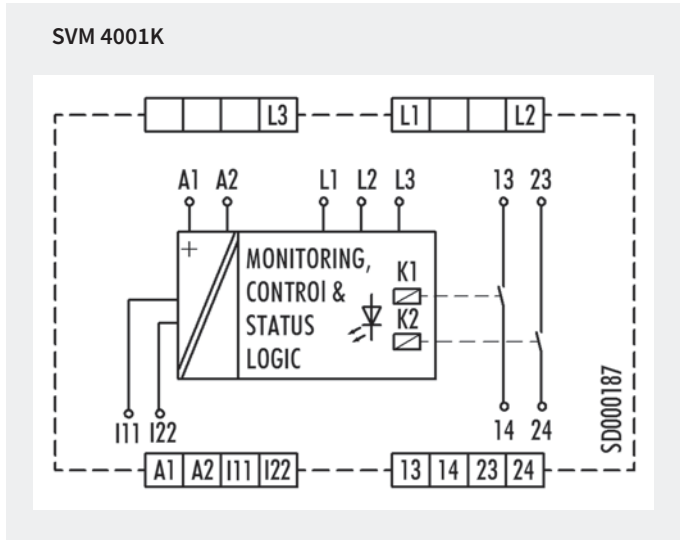
APPLICATION



OVERVIEW OF DEVICES

Type	Frequency range	Terminals	Part no.	P.U.
SVM 4001K-A	24 V DC	Screw terminals, pluggable	R1.188.4020.0	1
SVM 4001K-C	24 V DC	Push-in terminals, pluggable	R1.188.4030.0	1

CIRCUIT DIAGRAM



TECHNICAL DATA		
Function		Standstill monitoring
Function display		4 LED, green/red
Function mode / adjustment		Voltage measurement
Adjustment range		50 - 500 mV
Power supply circuit		
Rated voltage U_N	A1, A2	24 V DC
Rated consumption	24 V DC	1.8 W
Operating voltage range U_B		0.85 - 1.1 x U_N
Control circuit		
Rated output voltage	U, V, W	690 V AC3
Response time t_A		20 ms
Release time t_R		20 ms
Output circuit		
Enabling paths	13/14, 23/24	normally open contact
Contact assignment		forceably guided
Contact type		Ag-alloy
Rated switching voltage		230 V AC
Max. thermal current I_{th}		8 A
Application category (NO)	AC-15	U_e 230 V, I_e 3 A
	DC-13	U_e 24 V, I_e 4 A
Short-circuit protection (NO), lead fuse / circuit breaker		5 A class gG
Mechanical life		20 x 10 ⁶ switching cycles
General data		
Creepage distances and clearances between the circuits		EN 60664-1
Protection degree according to EN 60529 (housing / terminals)		IP40 / IP20
Ambient temperature / storage temperature		-20 °C - +55 °C / -40 °C - + 85 °C
Wire ranges screw terminals,	fine-stranded / solid	1 x 0.2 mm ² - 2.5 mm ² / 2 x 0.2 mm ² - 1.0 mm ²
	fine-stranded with ferrules	1 x 0.25 mm ² - 2.5 mm ² / 2 x 0.25 mm ² - 1.0 mm ²
Permissible torque		0.5 - 0.6 Nm
Wire ranges push-in terminals		1 x 0.25 mm ² - 1.5 mm ²
Weight		0.180 kg
Standards		EN ISO 13849-1, EN 62061
Approvals		TÜV, cULus Listed

SNZ 4052K

TWO-HAND RELAY TYPE IIIC



APPLICATIONS

- Protection of people and machinery
- Monitoring of two-hand applications
- Press
- According to EN ISO 13851 Typ IIIC

SAFETY LEVEL

- Up to PL e / Category 4 (EN ISO 13849-1)
- Up to SIL_{CL} 3 (EN 62061)

FEATURES

- Stop Category 0 according to EN 60204-1
- Two-channel actuation; 1 NO contact and 1 NC contact for each channel
- Cross monitoring
- Monitoring of synchronous activation
- 2 enabling current paths, 1 signaling current path

FUNCTION

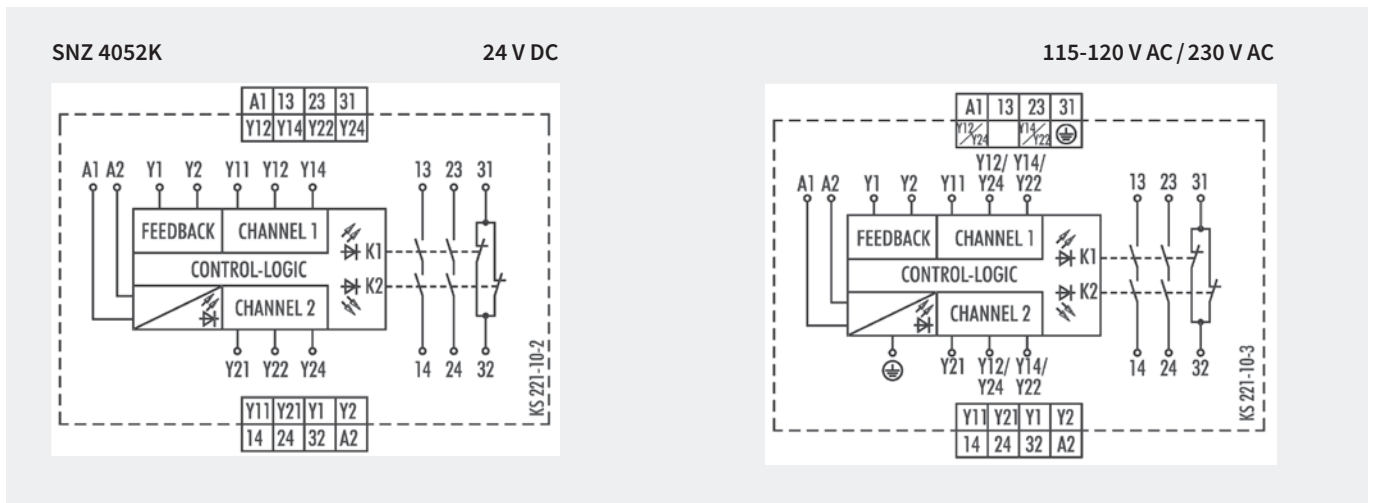
The device complies with EN 574 Type III C safety requirements. The safety behavior of the device is designed for applications according to Category 4 (EN 954-1). The device is single-fault safe and self-monitoring. Synchronous activation of both actuators (two-hand momentary contact or safety gate contacts) is monitored. Each of the two actuators is connected to the device with an NO contact and an NC contact. The technical design of the input circuit provides cross connection and ground fault monitoring. The output function is designed with 2 NO contacts as an enabling current path and 1 NC contact as signaling current path (all forcibly guided).

With supply voltage applied to terminals A1/A2 and the feedback loop (terminals Y1/Y2) closed, the enabling current paths are closed by simultaneously activating the actuators (S1+S2).

Both actuators must be activated within 0.5 s for the output contacts to be enabled. If only one of the two actuators is released, the device is immediately de-energized. The enabling current paths open.

The device can be restarted only after both actuators have returned to their initial position (for example when the two-hand momentary contact switches have been released) and the feedback circuit is closed again. The feedback circuit should only be opened again after both actuators are activated. Otherwise the device will remain in the OFF position. The current status of the device is indicated by 3 LEDs: application of the supply voltage with LED SUPPLY, activation of both actuators with LED K1 and additionally with LED K2 in case of synchronous activation.

CIRCUIT DIAGRAM



OVERVIEW OF DEVICES

Type	Rated voltage	Terminals	Part no.	P.U.
SNZ 4052K-A	24 V AC/DC	Screw terminals, pluggable	R1.188.0530.1	1
	115 – 120 V AC	Screw terminals, pluggable	R1.188.0940.1	1
	230 V AC	Screw terminals, pluggable	R1.188.0950.1	1
SNZ 4052K-C	24 V AC/DC	Push-in terminals, pluggable	R1.188.2020.0	1

TECHNICAL DATA				
Function	Two-hand control relay			
Function display	3 LEDs, green			
Power supply circuit				
Rated voltage U_N	A1, A2	24 V AC/DC, 115-120 V AC, 230 V AC		
Rated consumption	24 V DC	2.4 W		
	115-120 V AC, 230 V AC	2.2 W / 3.1 VA		
Rated frequency	50 - 60 Hz			
Operating voltage range U_B	0.85 - 1.1 x U_N			
Electrical isolation supply circuit - control circuit	yes (at $U_N = 115-230$ V AC, 230 V AC)			
Control circuit				
Rated output voltage	Y12/Y14, Y22/Y24, Y1	24 V DC		
Input current / peak current	Y11, Y21	60 mA / 1000 mA		
	Y2	< 100 mA		
Response time t_{A1} / t_{A2}	40 ms			
Recovery time t_W	250 ms			
Release time t_R	50 ms			
Synchronous time t_S	≤ 500 ms			
Max. resistivity, per channel	24 V AC/DC	≤ (2.5 + (1.176 x $U_B / U_N - 1) x 50) \Omega$		
	115-120 V AC, 230 V AC	≤ (2.5 + (1.176 x $U_B / U_N - 1) x 50) \Omega$		
Output circuit				
Enabling paths	13/14, 23/24	normally open contact		
Signaling paths	31/32	normally closed contact		
Contact assignment	forceably guided			
Contact type	Ag-alloy, gold-plated			
Rated switching voltage	enabling / signaling path	230 V AC		
Max. thermal current I_{th}	enabling / signaling path	6 A / 2 A		
Max. total current I^2 of all current path	($T_u = 55^\circ\text{C}$)	9 A ²		
Application category (NO)	AC-15	U_e 230 V, I_e 3 A		
	DC-13	U_e 24 V, I_e 2.5 A		
Short-circuit protection (NO), lead fuse / circuit breaker	6 A class gG / melting integral / < 100 A ² s			
Mechanical life	10 ⁷ switching cycles			
General data				
Creepage distances and clearances between the circuits	EN 60664-1			
Protection degree according to EN 60529 (housing / terminals)	IP40 / IP20			
Ambient temperature / storage temperature	-25 °C - +55 °C / -25 °C - + 75 °C			
Wire ranges screw terminals,	fine-stranded / solid	1 x 0.2 mm ² – 2.5 mm ² / 2 x 0.2 mm ² – 1.0 mm ²		
	fine-stranded with ferrules	1 x 0.25 mm ² – 2.5 mm ² / 2 x 0.25 mm ² – 1.0 mm ²		
Permissible torque	0.5 - 0.6 Nm			
Wire ranges Push-in terminals	1 x 0.25 mm ² – 1.5 mm ²			
Weight	0.20 kg / 0.25 kg			
Standards	EN ISO 13849-1, EN 62061, EN ISO 13851			
Approvals	TÜV, cULus Listed, CCC			

SNV 4063KL

MONITORING OF EMERGENCY STOP, SAFETY GATES AND LIGHT BARRIERS, OFF-DELAYED



APPLICATIONS

- Protection of people and machinery
- Monitoring of emergency stop applications
- Monitoring of safety gates
- Monitoring of light barriers
- Termination of braking operations through OFF-delay time
- Control of solenoid-actuated interlocks

SAFETY LEVEL

- Up to PL e / Category 4 (EN ISO 13849-1) for undelayed contacts
- Up to PL d / Category 3 (EN ISO 13849-1) for delayed contacts
- Up to SILCL 3 (EN 62061)

FEATURES

- Stop category 0/1 according to EN 60204-1
- Single-channel or two-channel control
- Manual or automatic start
- OFF-delay time adjustable in the range 0.15 to 3s or 1.5 to 30s
- Reset button monitoring, cross monitoring, monitoring of synchronous time
- 3 enabling current paths (2 undelayed, 1 OFF-delayed)

FUNCTION

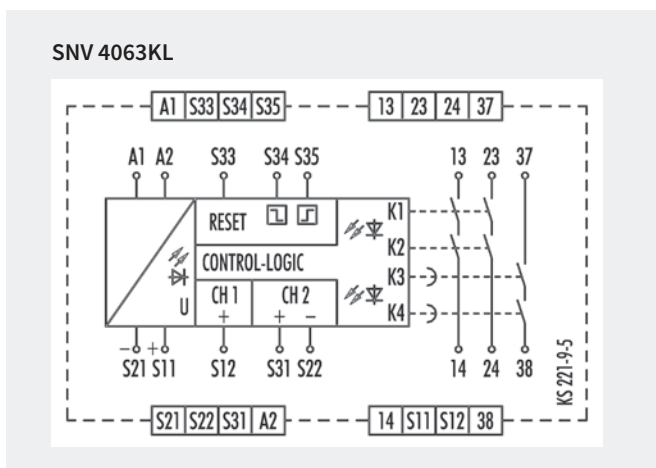
With the supply voltage applied to terminals A1/A2 and the emergency set right and left margins in-line button. This controls relays K1 to K4, which become self-locking (when starting via reset button monitoring after the response time). After this switch-on phase the 3 enabling current paths are closed (terminals 13/14, 23/24 and 37/38). Three LEDs display the state of relays K1/K2, K3/K4 and the supply voltage.

If the emergency stop button is activated, the current supplies for relays K1 to K4 are interrupted. The undelayed enabling current paths (terminals 13/14, 23/24) are opened with release time t_{R1} while the off-delayed enabling current path (terminals 37/38) is opened after the pre-set OFF-delay time t_{R2} . The OFF-delay time can be adjusted infinitely in the range 0.15 to 3 s or 1.5 to 30 s.

With a two-channel control and cross-monitoring wiring of the sensor circuit, additional errors such as short-circuit or ground fault can be detected. An electronic fuse protects the device against damage. After the cause of the malfunction has been removed, the device is operational again after approx. 3 s.

- **Reset button monitoring** – The device can be started either with the falling edge or with the rising edge (terminals S34 or S35). For emergency stop applications with manual start the button must be connected to terminals S33/S34. The device is enabled only with the falling edge of the reset signal. For starting, the reset button must be pressed and released. For safety gate applications in which an automatic start is performed it is necessary to bridge terminals S33/S35. The device will react at the rising edge of input S12 which is internally connected to S33.
- **Monitoring of synchronous time** – The use of safety limit switches for single-channel or two-channel circuits in safety gate applications depends on the required safety level. The device provides a monitoring of the synchronous time of two connected safety switches. A synchronous time $t_s \approx 0.5$ s requires limit switches positioned in such a way that channel 1, terminals S11/S12, closes before channel 2, terminals S21/S22. If channel 2 closes before channel 1, the synchronous time is $t_s = \infty$.

CIRCUIT DIAGRAM



OVERVIEW OF DEVICES

Type	Time range	Rated voltage	Terminals	Part no.	P.U.
SNV 4063KL-A	3 s	24 V DC	Screw terminals, pluggable	R1.188.0620.0	1
	30 s	24 V DC	Screw terminals, pluggable	R1.188.0640.0	1
	150 s	24 V DC	Screw terminals, pluggable	R1.188.4100.0	1
SNV 4063KL-C	3 s	24 V DC	Push-in terminals, pluggable	R1.188.2010.0	1
	30 s	24 V DC	Push-in terminals, pluggable	R1.188.3900.0	1

TECHNICAL DATA

Function	Emergency stop relay for controlled stop	
Function display	3 LEDs, green	
Function mode / adjustment	Time / stepless	
Adjustment range	0.15 - 3 s / 1.5 - 30 s / 7.5 - 150 s	
Power supply circuit		
Rated voltage U_N	A1, A2	24 V DC
Rated consumption	24 V DC	2.6 W
Operating voltage range U_B	0.85 - 1.1 x U_N	
Electrical isolation supply circuit - control circuit	no	
Control circuit		
Rated output voltage	S11, S33/S21	22 V DC
Input current / peak current	S12, S31/S22	25 mA / 100 mA
	S34, S35	40 mA / 50 mA
Response time t_{A1} / t_{A2}	30 ms / 700 ms	
Minimum ON time t_M	200 ms	
Recovery time t_W	500 ms	
Release time t_R	25 ms	
Release time $t_{R, \text{delayed contacts}}$ (tolerance)	0.15 - 3 s / 1.5 - 30 s ($\pm 16\%$)	
Synchronous time t_S	500 ms	
Permissible test pulse time t_{TP}	< 1 ms	
Max. resistivity, per channel ¹⁾	$\leq (5 + (1.176 \times U_B / U_N - 1) \times 100) \Omega$	
Output circuit		
Enabling paths	13/14, 23/24	normally open contact
	37/38	normally open contact, OFF-delayed
Contact assignment	forceably guided	
Contact type	Ag-alloy, gold-plated	
Rated switching voltage	enabling path	230 V AC
Max. thermal current I_{th}	enabling path	6 A
Max. total current I^2 of all current path	($T_u = 55^\circ\text{C}$)	5 A ²
Application category (NO)	AC-15	U_e 230 V, I_e 3 A
	DC-13	U_e 24 V, I_e 2 A
Short-circuit protection (NO), lead fuse / circuit breaker	6 A Class gG / melting integral < 100 A ² s	
Mechanical life	10 ⁷ switching cycles	
General data		
Creepage distances and clearances between the circuits	EN 60664-1	
Protection degree according to EN 60529 (housing / terminals)	IP40 / IP20	
Ambient temperature / storage temperature	-25 °C - +55 °C / -25 °C - +75 °C	
Wire ranges screw terminals,	fine-stranded / solid	1 x 0.2 mm ² - 2.5 mm ² / 2 x 0.2 mm ² - 1.0 mm ²
	fine-stranded with ferrules	1 x 0.25 mm ² - 2.5 mm ² / 2 x 0.25 mm ² - 1.0 mm ²
Permissible torque	0.5 - 0.6 Nm	
Wire ranges push-in terminals	1 x 0.25 mm ² - 1.5 mm ²	
Weight	0.20 kg	
Standards	EN ISO 13849-1, EN 62061, EN 50156-1	
Approvals	TÜV, cULus Listed, CCC	

¹⁾ If two-channel devices are installed as single channel, the value is halved.

SNV 4063KP

MONITORING OF EMERGENCY STOP, SAFETY GATES AND LIGHT BARRIERS, ON-DELAYED



APPLICATIONS

- Protection of people and machinery
- Monitoring of emergency stop applications
- Monitoring of safety gates
- Monitoring of light barriers
- Monitoring of interlocking installation with position switches and integrated locking
- Control of spring-actuated interlocks

SAFETY LEVEL

- Up to PL e / Category 4 (EN ISO 13849-1)
- Up to SIL_{CL} 3 (EN 62061)

FEATURES

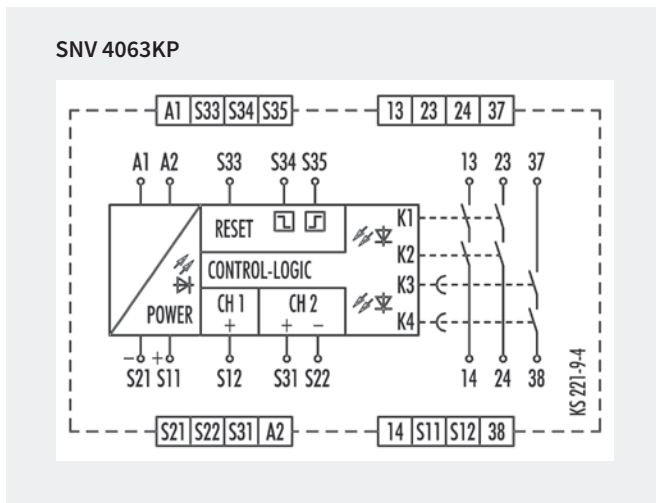
- Stop Category 0 according to EN 60204-1
- Single-channel or two-channel control
- Manual or automatic start
- ON-delay time adjustable in the range 0.15 to 3 s or 1.5 to 30 s
- Reset button monitoring, cross monitoring
- 3 enabling current paths (2 undelayed, 1 ON-delayed)

FUNCTION

With supply voltage applied to terminals A1/A2, relays K3 and K4 (terminals 37/38) start with the pre-selected ON-delay time. The ON-delay time t_{A1} can be adjusted infinitely in the range 0.15 to 3 s or 1.5 to 30 s according to the device type. The device is enabled by pressing the reset button. The following operating modes can be selected:

- **Manual start** – The reset button must be connected to S34 through terminal S33. For starting the relay, the reset button must be pressed. Relays K3 and K4 (terminals 37/38) will switch into the OFF position. With the falling edge of the reset signal, the reset is completed and activates relays K1 and K2, which become self-locking after the response time t_{A3} . After this switch-on phase, the 2 enabling current paths defined for the output are closed (terminals 13/14, 23/24). With the emergency stop command, the power supply to relays K1 and K2 is interrupted. The enabling current paths (terminals 13/14, 23/24) are immediately opened with release time t_R , and relays K3 and K4 will start after the pre-set ON-delay time t_{A1} , terminals 37/38. Three LEDs display the state of relays K1/K2, K3/K4 and the supply voltage.
- **Automatic start** – For monitoring of interlocking installations with locking mechanism or safety gate applications in which on automatic start shall be performed it is necessary to jumper terminals S33/S35. The device will react at the rising edge of input S12 that is internally connected to S33. Relays K3 and K4 (terminals 37/38) will switch into the OFF position. With the rising edge of input S12 the relay K1 is activated and response time t_{A2} started. When the time has elapsed, the 2 enabling current paths are closed (terminals 13/14, 23/24). With a stop command the power supply to relays K1 and K2 is interrupted. The enabling current paths (terminals 13/14, 23/24) are immediately opened with release time t_R , and relays K3 and K4 will start after the pre-set ON-delay time t_{A1} , terminals 37/38.

CIRCUIT DIAGRAM



OVERVIEW OF DEVICES

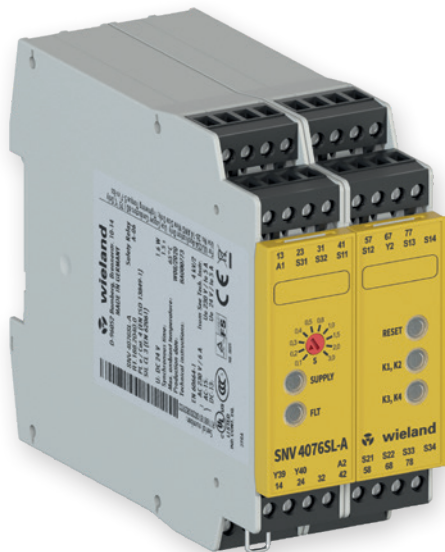
Type	Time range	Rated voltage	Terminals	Part no.	P.U.
SNV 4063KP-A	3 s	24 V DC	Screw terminals, pluggable	R1.188.0660.0	1
	30 s	24 V DC	Screw terminals, pluggable	R1.188.0680.0	1

TECHNICAL DATA	
Function	Emergency stop relay for access delay combined with locking mechanism
Function display	3 LEDs, green
Function mode / adjustment	Time / stepless
Adjustment range	0.15 - 3 s / 1.5 - 30 s
Power supply circuit	
Rated voltage U_N	A1, A2 24 V DC
Rated consumption	24 V DC 2.6 W
Operating voltage range U_B	0.85 - 1.1 x U_N
Electrical isolation supply circuit - control circuit	no
Control circuit	
Rated output voltage	S11, S33/S21 22 V DC
Input current / peak current	S12, S31/S22 25 mA / 100 mA
	S34, S35 40 mA / 50 mA
Response time t_{A1} / t_{A2}	30 ms / 700 ms
Minimum ON time t_M	200 ms
Recovery time t_W	500 ms
Release time t_R	25 ms
Release time $t_{R, \text{delayed contacts}}$ (tolerance)	0.15 - 3 s / 1.5 - 30 s ($\pm 16\%$)
Synchronous time t_S	500 ms
Permissible test pulse time t_{TP}	< 1 ms
Max. resistivity, per channel ¹⁾	$\leq (5 + (1.176 \times U_B / U_N - 1) \times 100) \Omega$
Output circuit	
Enabling paths	13/14, 23/24 normally open contact
	37/38 normally open contact, ON-delayed
Contact assignment	forcebly guided
Contact type	Ag-alloy, gold-plated
Rated switching voltage	enabling path 230 V AC
Max. thermal current I_{th}	enabling path 6 A
Max. total current I^2 of all current path	($T_u = 55^\circ\text{C}$) 5 A ²
Application category (NO)	AC-15 U_e 230 V, I_e 3 A
	DC-13 U_e 24 V, I_e 2 A
Short-circuit protection (NO), lead fuse / circuit breaker	6 A Class gG / melting integral < 100 A ² s
Mechanical life	10 ⁷ switching cycles
General data	
Creepage distances and clearances between the circuits	EN 60664-1
Protection degree according to EN 60529 (housing / terminals)	IP40 / IP20
Ambient temperature / storage temperature	-25 °C - +55 °C / -25 °C - + 75 °C
Wire ranges screw terminals,	fine-stranded / solid 1 x 0.2 mm ² - 2.5 mm ² / 2 x 0.2 mm ² - 1.0 mm ²
	fine-stranded with ferrules 1 x 0.25 mm ² - 2.5 mm ² / 2 x 0.25 mm ² - 1.0 mm ²
Permissible torque	0,5 - 0,6 Nm
Wire ranges push-in terminals	1 x 0.25 mm ² - 1.5 mm ²
Weight	0.20 kg
Standards	EN ISO 13849-1, EN 62061, EN 50156-1
Approvals	TÜV, cULus Listed, CCC

¹⁾ If two-channel devices are installed as single channel, the value is halved.

SNV 4074SL / SNV 4076SL

MONITORING OF EMERGENCY STOP, SAFETY GATES AND LIGHT BARRIERS, OFF-DELAYED



APPLICATIONS

- Controlled stop according to Category 1 (EN 60204-1)
- Monitoring of emergency stop applications
- Monitoring of safety gates
- Monitoring of interlocks
- Monitoring of light barriers

SAFETY LEVEL

- Up to PL e / Category 4 (EN ISO 13849-1)
- Up to SIL_{CL} 3 (EN 62061)

FEATURES

- Stop Category 0/1 according to EN 60204-1
- Time setting in 10 steps
- Time ranges 3s, 30s or 300s
- Single-channel or two-channel control
- Manual or automatic start
- SafeStart
- Cross monitoring

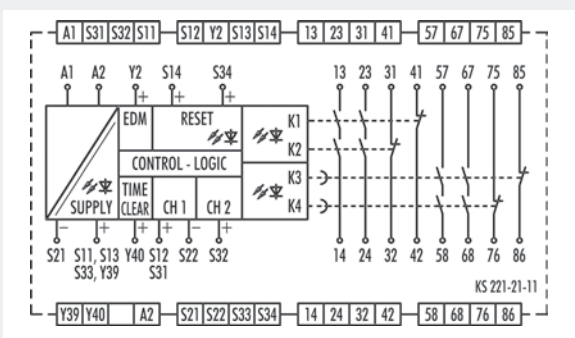
OFF-DELAY FUNCTION

After the supply voltage is applied to terminals A1/A2 and the safety inputs are closed, the enabling current paths (NO contacts) are closed automatically or by pressing the reset button (manual start). When the safety inputs are opened/de-energized the enabling current paths (NO contacts) are opened immediately or with a delay.

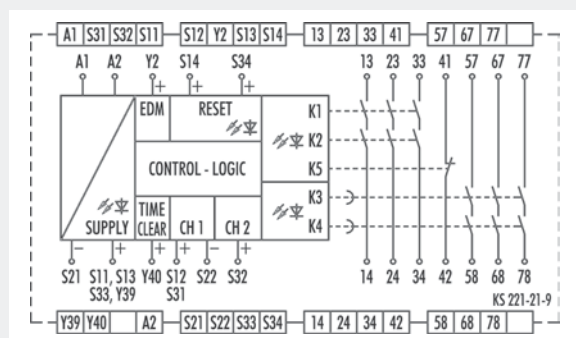
- **Automatic start** – Reset input S14 is connected to safety input S12. To monitor external contact blocks (EDM), their NC contacts must be connected in series between S34 and S12.
- **Manual start without monitoring** – Reset input S14 is connected to safety input S12 via a reset button. To monitor external contact blocks (EDM), their NC contacts must be connected in series to the reset button.
- **Manual start with monitoring** – Reset input S34 is connected to safety input S11 via a reset button. To monitor external contact blocks (EDM), their NC contacts must be connected in series to the reset button.

CIRCUIT DIAGRAMS

SNV 4074SL



SNV 4076SL



OVERVIEW OF DEVICES

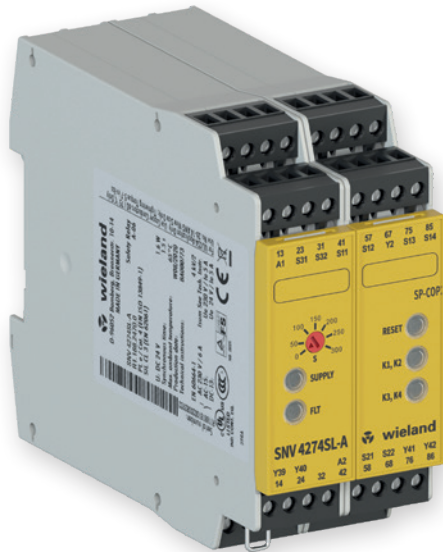
Type	Time range	Rated voltage		Terminals	Part no. 24V DC	Part no. 115 – 230V AC	P.U.
SNV 4074SL-A	3s	24V DC	115 – 230V AC	Screw terminals, pluggable	R1.188.2130.0	R1.188.2310.0	1
SNV 4074SL-A	30s	24V DC	115 – 230V AC	Screw terminals, pluggable	R1.188.2160.0	R1.188.2340.0	1
SNV 4074SL-A	300s	24V DC	115 – 230V AC	Screw terminals, pluggable	R1.188.2190.0	R1.188.2370.0	1
SNV 4074SL-C	3s	24V DC	115 – 230V AC	Push-in terminals, pluggable	R1.188.2140.0	R1.188.2320.0	1
SNV 4074SL-C	30s	24V DC	115 – 230V AC	Push-in terminals, pluggable	R1.188.2170.0	R1.188.2350.0	1
SNV 4074SL-C	300s	24V DC	115 – 230V AC	Push-in terminals, pluggable	R1.188.2200.0	R1.188.2380.0	1
SNV 4076SL-A	3s	24V DC	115 – 230V AC	Screw terminals, pluggable	R1.188.2040.0	R1.188.2220.0	1
SNV 4076SL-A	30s	24V DC	115 – 230V AC	Screw terminals, pluggable	R1.188.2070.0	R1.188.2250.0	1
SNV 4076SL-A	300s	24V DC	115 – 230V AC	Screw terminals, pluggable	R1.188.2100.0	R1.188.2280.0	1
SNV 4076SL-C	3s	24V DC	115 – 230V AC	Push-in terminals, pluggable	R1.188.2050.0	R1.188.2230.0	1
SNV 4076SL-C	30s	24V DC	115 – 230V AC	Push-in terminals, pluggable	R1.188.2080.0	R1.188.2260.0	1
SNV 4076SL-C	300s	24V DC	115 – 230V AC	Push-in terminals, pluggable	R1.188.2110.0	R1.188.2290.0	1

TECHNICAL DATA

Function	Emergency stop relay		
Function display	5 LEDs, green/red		
Function mode / adjustment	Time setting in 10 steps		
Adjustment range	0.1 - 3 s / 0 - 30 s / 0 - 300 s		
Power supply circuit			
Rated voltage U_N	A1, A2	24 V DC / 115-230 V AC	
Rated consumption	24 V DC 115-230 V AC	2.8 W 3.2 W / 6,3 VA	
Rated frequency	50 - 60 Hz		
Operating voltage range U_B	0.85 - 1.1 x U_N		
Electrical isolation supply circuit - control circuit	yes (at $U_N = AC 115-230 V$)		
Control circuit			
Rated output voltage	S11, S13, S33, Y39 / S21	22 V DC	
Input current / peak current	S12, S31/S22, S32	3 mA / 4.5 mA	
	S14, S34, Y2, Y40	4 mA / 4.5 mA	
Response time t_{A1} / t_{A2}	200 ms		
Minimum ON time t_M	100 ms		
Recovery time t_W	50 ms		
Release time t_R	20 ms		
Release time t^R , delayed contacts (tolerance)	0.1 / 0.2 / 0.3 / 0.4 / 0.5 / 0.8 / 1 / 1.5 / 2 / 3 s (0,1 % ± 15 ms) 0 / 2 / 4 / 6 / 0.5 / 8 / 10 / 15 / 20 / 30 s (0.1 % ± 15 ms) 0 / 20 / 40 / 60 / 80 / 100 / 150 / 200 / 250 / 300 s (0.1 % ± 15 ms)		
Permissible test pulse time t_{TP}	< 1 ms		
Max. resistivity, per channel ¹⁾	24 V DC 115-230 V AC	< 50 Ω < 50 Ω	
Output circuit			
Enabling paths	13/14, 23/24, 33/34 57/58, 57/68, 77/78	normally open contact normally open contact, OFF-delayed	
Signaling paths	31/32, 41/42 75/76, 85/86	normally closed contact normally closed contact, OFF-delayed	
Contact assignment	forcibly guided		
Contact type	Ag-alloy, gold-plated		
Rated switching voltage	enabling- / signaling path	230 V AC	
Max. thermal current I_{th}	enabling- / signaling path	6 A / 2 A	
Max. total current I^2 of all current path ($T_u = 55^\circ C$)	40 A ²		
Application category (NO)	AC-15 DC-13	$U_e 230 V, I_e 3 A$ $U_e 24 V, I_e 3 A$	
Short-circuit protection (NO), lead fuse / circuit breaker	6 A class gG / melting integral < 100 A ² s		
Mechanical life	10 ⁷ switching cycles		
General data			
Creepage distances and clearances between the circuits	EN 60664-1		
Protection degree according to EN 60529 (housing / terminals)	IP40 / IP20		
Ambient temperature / storage temperature	-25 °C - +55 °C / -25 °C - +75 °C		
Wire ranges screw terminals, fine-stranded / solid	1 x 0.2 mm ² – 2.5 mm ² / 2 x 0.2 mm ² – 1.0 mm ²		
	fine-stranded with ferrules 1 x 0.25 mm ² – 2.5 mm ² / 2 x 0.25 mm ² – 1.0 mm ²		
Permissible torque	0.5 - 0.6 Nm		
Wire ranges push-in terminals	1 x 0.25 mm ² – 1.5 mm ²		
Weight	0.33 kg / 0.35 kg		
Standards	EN ISO 13849-1, EN 62061, EN 50156-1		
Approvals	TÜV, cULus Listed, CCC		

¹⁾ If two-channel devices are installed as single channel, the value is halved.

SNV 4274SL / SNV 4074ST – MONITORING OF EMERGENCY STOP, LIGHT BARRIERS AND SAFETY GATES, OFF-DELAYED/ON-DELAYED



APPLICATIONS

- Monitoring of limit values in the process industry
- Monitoring of emergency stop applications
- Monitoring of safety gates
- Monitoring of interlocks
- Monitoring of light barriers

SAFETY LEVEL

- Up to PL e / Category 4 (EN ISO 13849-1)
- Up to SIL_{CL} 3 (EN 62061)

FEATURES

- Continuously adjustable, analog time setting
- Time ranges 3s, 30s or 300s
- Retriggering of the time delay possible
- Single-channel or two-channel control
- Manual or automatic start
- SafeStart
- Cross monitoring

OFF-DELAY WITH RETRIGGERING FUNCTION (SNV 4274SL)

After the supply voltage is applied to terminals A1/A2 and the safety inputs are closed, the contacts are switched on immediately, either automatically or by pressing the reset button (manual start). When the safety inputs are opened/de-energized, the contacts are switched off immediately or with a release delay.

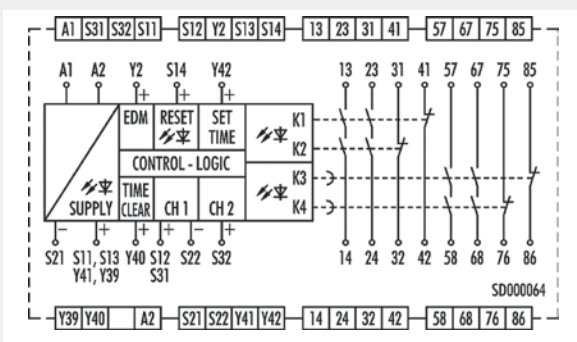
The set release delay only expires if the safety inputs are opened longer than the release delay set on the device. If the safety inputs are closed again before the release delay has expired (retriggering), the delayed contacts will remain closed, too.

ON-DELAY FUNCTION (SNV 4074ST)

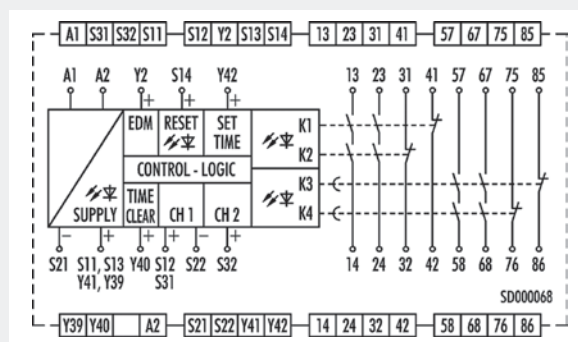
After the supply voltage is applied to terminals A1/A2 and the safety inputs are closed, the contacts are switched on immediately or with a response delay, either automatically or by pressing the reset button (manual start). When the safety inputs are opened/de-energized the contacts are switched off immediately.

CIRCUIT DIAGRAMS

SNV 4274SL



SNV 4074ST



OVERVIEW OF DEVICES

Type	Time range	Rated voltage		Terminals	Part no. 24V DC	Part no. 115 – 230V AC	P.U.
SNV 4274SL-A	3s	24V DC	115 – 230V AC	Screw terminals, pluggable	R1.188.2470.0	R1.188.2650.0	1
SNV 4274SL-A	30s	24V DC	115 – 230V AC	Screw terminals, pluggable	R1.188.2500.0	R1.188.2680.0	1
SNV 4274SL-A	300s	24V DC	115 – 230V AC	Screw terminals, pluggable	R1.188.2530.0	R1.188.2710.0	1
SNV 4274SL-C	3s	24V DC	115 – 230V AC	Push-in terminals, pluggable	R1.188.2480.0	R1.188.2660.0	1
SNV 4274SL-C	30s	24V DC	115 – 230V AC	Push-in terminals, pluggable	R1.188.2510.0	R1.188.2690.0	1
SNV 4274SL-C	300s	24V DC	115 – 230V AC	Push-in terminals, pluggable	R1.188.2540.0	R1.188.2720.0	1
SNV 4074ST-A	3s	24V DC	115 – 230V AC	Screw terminals, pluggable	R1.188.2560.0	R1.188.2740.0	1
SNV 4074ST-A	30s	24V DC	115 – 230V AC	Screw terminals, pluggable	R1.188.2590.0	R1.188.2770.0	1
SNV 4074ST-A	300s	24V DC	115 – 230V AC	Screw terminals, pluggable	R1.188.2620.0	R1.188.2800.0	1
SNV 4074ST-C	3s	24V DC	115 – 230V AC	Push-in terminals, pluggable	R1.188.2570.0	R1.188.2750.0	1
SNV 4074ST-C	30s	24V DC	115 – 230V AC	Push-in terminals, pluggable	R1.188.2600.0	R1.188.2780.0	1
SNV 4074ST-C	300s	24V DC	115 – 230V AC	Push-in terminals, pluggable	R1.188.2630.0	R1.188.2810.0	1

TECHNICAL DATA

Function	Emergency stop relay		
Function display	5 LEDs, green/red		
Function mode / adjustment	Time / stepless		
Adjustment range	0.15 - 3 s / 1.5 - 30 s / 15 - 300 s		
Power supply circuit			
Rated voltage U_N	A1, A2	24 V DC / 115-230 V AC	
Rated consumption	24 V DC 115-230 V AC	2.8 W 3.2 W / 6.3 VA	
Rated frequency	50 - 60 Hz		
Operating voltage range U_B	0.85 - 1.1 x U_N		
Electrical isolation supply circuit - control circuit	yes (at $U_N = 115-230$ V AC)		
Control circuit			
Rated output voltage	S11, S13, S33, Y39 / S21	22 V DC	
Input current / peak current	S12, S31/S22, S32	3 mA / 4,5 mA	
	S14, S34, Y2, Y40	4 mA / 4,5 mA	
Response time t_{A1} / t_{A2}	200 ms		
Minimum ON time t_M	100 ms		
Recovery time t_W	50 ms		
Release time t_R	20 ms		
Release time t_{R3} , delayed contacts (tolerance)	0,15 - 3 s (± 16 % of the setting value) 1,5 - 30 s (± 16 % of the setting value) 15 - 300 s (± 16 % of the setting value)		
Permissible test pulse time t_{TP}	< 1 ms		
Max. resistivity, per channel ¹⁾	24 V DC 115-230 V AC	< 50 Ω < 50 Ω	
Output circuit			
Enabling paths	13/14, 23/24 57/58, 57/68	normally open contact normally open contact, time delayed	
Signaling paths	31/32, 41/42 75/76, 85/86	normally closed contact normally closed contact, time delayed	
Contact assignment	forcibly guided		
Contact type	Ag-alloy, gold-plated		
Rated switching voltage	enabling- / signaling path	230 V AC	
Max. thermal current I_{th}	enabling- / signaling path	6 A / 2 A	
Max. total current I^2 of all current path	($T_u = 55$ °C)	40 A ²	
Application category (NO)	AC-15 DC-13	U_e 230 V, I_e 3 A U_e 24 V, I_e 3 A	
Short-circuit protection (NO), lead fuse / circuit breaker	6 A class gG / melting integral < 100 A ² s		
Mechanical life	10 ⁷ switching cycles		
General data			
Creepage distances and clearances between the circuits	EN 60664-1		
Protection degree according to EN 60529 (housing / terminals)	IP40 / IP20		
Ambient temperature / storage temperature	-25 °C - +55 °C / -25 °C - + 75 °C		
Wire ranges screw terminals,	fine-stranded / solid	1 x 0.2 mm ² – 2.5 mm ² / 2 x 0.2 mm ² – 1.0 mm ²	
	fine-stranded with ferrules	1 x 0.25 mm ² – 2.5 mm ² / 2 x 0.25 mm ² – 1.0 mm ²	
Permissible torque	0.5 - 0.6 Nm		
Wire ranges push-in terminals	1 x 0.25 mm ² – 1.5 mm ²		
Weight	0,33 kg / 0,35 kg		
Standards	EN ISO 13849-1, EN 62061, EN 50156-1		
Approvals	TÜV, cULus Listed, CCC		

¹⁾ If two-channel devices are installed as single channel, the value is halved.

SNE 1

CONTACT EXPANSION



c RU US

APPLICATIONS

- Duplication of the enabling current paths of a basic device
- Contact expansion in safety-oriented systems

SAFETY LEVEL

- Up to PL c / Category 2 (EN ISO 13849-1)*
- Up to SIL_{CL} 1 (EN 62061)*

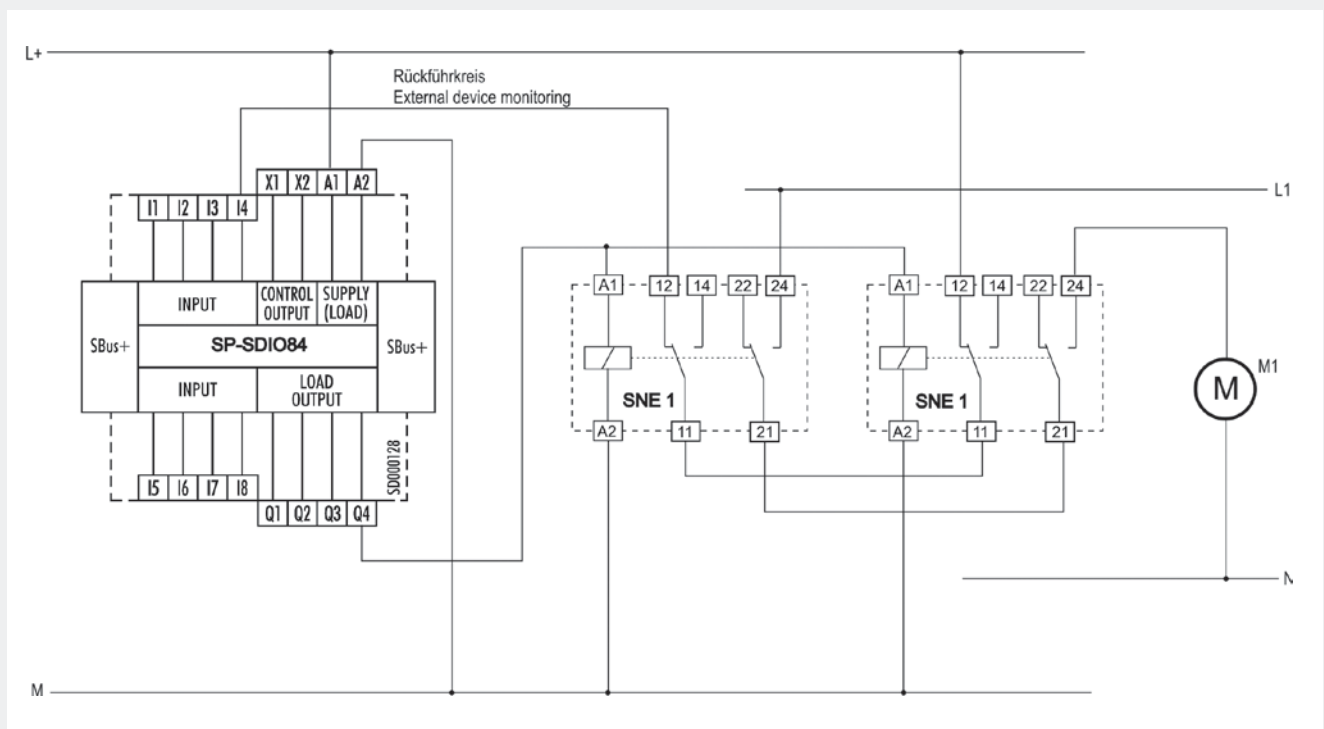
FEATURES

- Stop Category 0 and 1 according to EN 60204-1
- Single-channel operation
- 2 changeover contacts (positively driven)
- Sturdy retaining bracket

* Use up to PL e / category 4 possible (depending on the application and the category of the basic device or the safety control).

CIRCUIT DIAGRAM

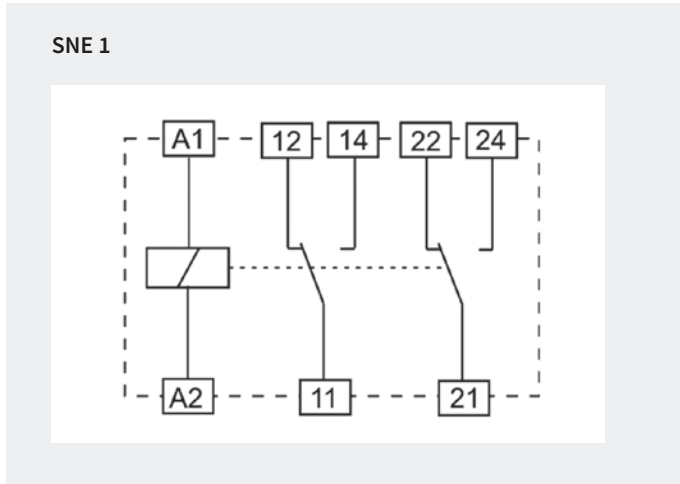
SNE 1



OVERVIEW OF DEVICES

Type	Rated voltage	Terminals	Part no.	P.U.
SNE 1	24 V DC	Screw terminals	R1.188.3950.0	1

CIRCUIT DIAGRAM



TECHNICAL DATA		
Function		Emergency stop expansion relay
Function display		none
Power supply circuit		
Rated voltage U_N	A1/A2	24 V DC
Rated consumption		0.7 W
Operating voltage range U_b		0.63 - 1.25 x U_N
Electrical isolation supply circuit - control circuit		yes
Control circuit		
Input current / peak current	A1/A2	ca. 29 mA
Response time t_{A1} / t_{A2}		12 ms
Release time t_R		< 20 ms
Output circuit		
Enabling paths	11/12/14, 21/22/24	changeover contact
Contact assignment		forcebly guided
Contact type		Ag-alloy
Rated switching voltage		230 V AC, 24 V DC
Max. thermal current I_{th}		8 A
Max. total current I^2 of all current path ($T_u = 55^\circ\text{C}$)		72 A ²
Application category (NO)	AC-15	U_e 230 V, I_e 2 A
	DC-13	U_e 24 V, I_e 3 A
Short-circuit protection (NO), lead fuse / circuit breaker		6 A class gL / melting integral < 100 A ² s
Mechanical life		10 x 10 ⁶ switching cycles
General data		
Creepage distances and clearances between the circuits		EN 61810-5
Protection degree according to EN 60529 (housing / terminals)		IP20 / IP20
Ambient temperature / storage temperature		-40 °C - +70 °C / -40 °C - + 70
Wire range	fine-stranded / solid	0.25 mm ² – 4.0 mm ² (AWG 24-12) / 0.25 – 6.0 mm ² (AWG 24-10)
Permissible torque		0.5 Nm
Weight		0.06 kg
Standards		EN 50205 (Type B)
Approvals		cURus

SNE 4004K/KV

CONTACT EXPANSION



FUNCTION

SNE 4004K

Supply voltage to the SNE devices is routed via an enabling current path of a basic device. When the supply voltage is applied relays K1 and K2 switch into the ON position. After this switch-on phase the four enabling current paths 13/14, 23/24, 33/34, 43/44 (of the SNE 4004K) or 17/18, 27/28, 37/38, 47/48 (of the SNE 4004KV) are closed and the feedback current path Y1/Y2 is open. This is displayed through two LEDs that are assigned to relays K1 and K2.

When the enabling current paths of the basic device are opened through the operation of the emergency stop button, relays K1 and K2 on the SNE 4004K switch back into the OFF-position. The enabling current paths open and the feedback current path closes. Feedback current path Y1/Y2 prevents the basic device from switching on again before K1 or K2 releases.

APPLICATIONS

- Expansion of a basic device's enabling current paths
- Contact expansion in safety equipment

SAFETY LEVEL

- Up to PL d / Category 3 (EN ISO 13849-1)*
- Up to SIL_{CL} 2 (EN 62061)*

FEATURES

- Stop Category 0 and 1 according to EN 60204-1 (see "Function")
- Single-channel or two-channel control
- SNE 4004K: 4 enabling current paths, undelayed (NO contact)
3 signaling current paths, undelayed (NC contact)
- SNE 4004KV: 4 enabling current paths, OFF-delayed (NO contact)
3 signaling current paths, OFF-delayed (NC contact),
Time buffering

* Depends on the category of the basic device or the safety control.

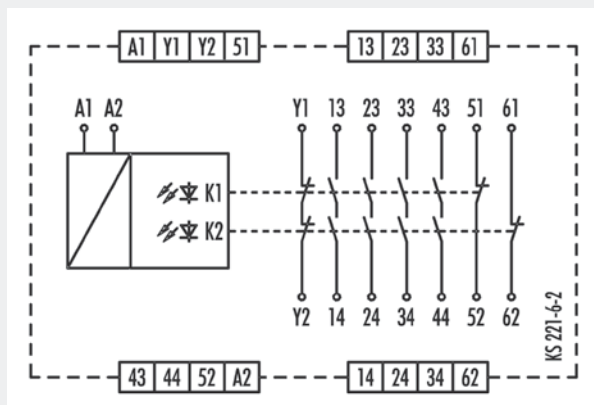
SNE 4004KV

The functions of this device correspond to those of the SNE 4004K. The SNE 4004KV is available with the following four OFF-delay times t_{r1} : 0.5 s; 1 s; 2 s and 3 s. The device has an OFF-delay time that is enabled through capacitors.

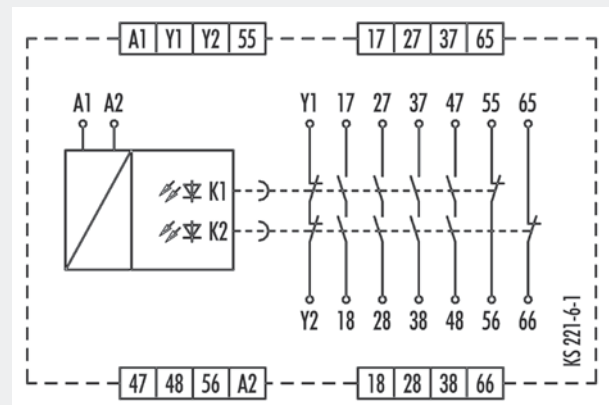
This causes the OFF-delay time t_{r1} to elapse completely even in case of failure of the power supply (A1/A2). It cannot be reset before it has elapsed. Once the delay time has elapsed, relays K1 and K2 switch into the OFF- position. OFF-delay times of > 0 s correspond to stop category 1.

CIRCUIT DIAGRAMS

SNE 4004K



SNE 4004KV



OVERVIEW OF DEVICES

Type	Time range	Rated voltage	Terminals	Part no.	P.U.
SNE 4004K-A	–	24 V AC/DC	Screw terminals, pluggable	R1.188.0590.0	1
SNE 4004K-C	–	24 V AC/DC	Push-in terminals, pluggable	R1.188.1980.0	1
SNE 4004KV-A	0.5 s	24 V DC	Screw terminals, pluggable	R1.188.0460.0	1
	1 s	24 V DC	Screw terminals, pluggable	R1.188.0470.0	1
	2 s	24 V DC	Screw terminals, pluggable	R1.188.0480.0	1
	3 s	24 V DC	Screw terminals, pluggable	R1.188.0490.0	1
SNE 4004KV-C	0.5 s	24 V DC	Push-in terminals, pluggable	R1.188.2410.0	1
	1 s	24 V DC	Push-in terminals, pluggable	R1.188.2420.0	1
	2 s	24 V DC	Push-in terminals, pluggable	R1.188.2430.0	1
	3 s	24 V DC	Push-in terminals, pluggable	R1.188.2440.0	1

TECHNICAL DATA

Function	Emergency stop expansion relay		
Function display	2 LEDs, green		
Function mode / adjustment	Time, fixed		
Adjustment range	0,5 s / 1 s / 2 s / 3 s		
Power supply circuit			
Rated voltage U_N	A1, A2	24 V DC / 24 V AC/DC	
Rated consumption	24 V DC 24 V AC/DC	1.2 W 1.7 W / 3.1 VA	
Rated frequency	50 - 60 Hz		
Operating voltage range U_B	0.85 - 1.1 x U_N		
Electrical isolation supply circuit - control circuit	non		
Control circuit			
Input current / peak current	A1, A2	65 mA / 1800 mA	
Response time t_{A1} / t_{A2}	20 ms		
Minimum ON time t_M	0,15 x t_R		
Recovery time t_W	≤ 200 ms		
Release time t_R	40 ms		
Release time t_R , delayed contacts (tolerance)	0.5 s / 1 s / 2 s / 3 s (± 35 %)		
Max. resistivity, per channel ¹⁾	≤ (2.5 + (1.176 x U_B / U_N - 1) x 50) Ω		
Output circuit			
Enabling paths	13/14, 23/24, 33/34, 43/44	normally open contact	
	17/17, 27/28, 37/38, 47/48	normally open contact, time delayed	
Signaling paths	51/52, 61/62	normally closed contact	
	55/56, 65/66	normally closed contact, time delayed	
Contact assignment	forceably guided		
Contact type	Ag-alloy, gold-plated		
Rated switching voltage	enabling / signaling path	230 V AC	
	Y1/Y2	230 V AC	
Max. thermal current I_{th}	enabling / signaling path	6 A / 2 A	
	Y1/Y2	2 A	
Max. total current I^2 of all current path	($T_u = 55^\circ\text{C}$)	9 A ²	
Application category (NO)	AC-15 DC-13	U_e 230 V, I_e 5 A U_e 24 V, I_e 5 A	
Short-circuit protection (NO), lead fuse / circuit breaker	6 A class gG / melting integral < 100 A ² s		
Mechanical life	10 ⁷ switching cycles		
General data			
Creepage distances and clearances between the circuits	EN 60664-1		
Protection degree according to EN 60529 (housing / terminals)	IP40 / IP20		
Ambient temperature / storage temperature	-25 °C - +55 °C / -25 °C - + 75 °C		
Wire ranges screw terminals,	fine-stranded / solid	1 x 0.2 mm ² – 2.5 mm ² / 2 x 0.2 mm ² – 1.0 mm ²	
	fine-stranded with ferrules	1 x 0.25 mm ² – 2.5 mm ² / 2 x 0.25 mm ² – 1.0 mm ²	
Permissible torque	0,5 - 0,6 Nm		
Wire ranges push-in terminals	1 x 0.25 mm ² – 1.5 mm ²		
Weight	0.20 kg		
Standards	EN ISO 13849-1, EN 62061		
Approvals	DGUV, cULus Listed, CCC		

¹⁾ If two-channel devices are installed as single channel, the value is halved.

SNE 4024K

CONTACT EXPANSION



APPLICATIONS

- Expansion of a basic device's enabling current paths
- Contact expansion in safety equipment

SAFETY LEVEL

- Up to PL e / Category 4 (EN ISO 13849-1)*
- Up to SIL_{CL} 3 (EN 62061)*

FEATURES

- Stop Category 0 and 1 according to EN 60204-1 (see "Function")
- Single-channel control
- 2x2 enabling current paths (NO contact)

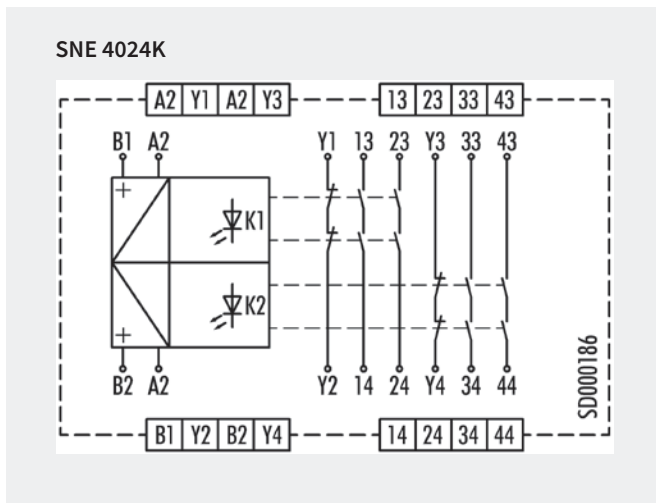
* Depends on the category of the basic device or the safety control.

FUNCTION

Once the supply voltage has been applied to terminals B1/A2 (B2/A2), the enabling current paths (NOC) are automatically closed and the signaling current paths (NCC) are opened.

When the supply voltage is ceased, the enabling current paths (NOC) are immediately opened and the signaling current paths (NCC) are immediately closed.

CIRCUIT DIAGRAM



OVERVIEW OF DEVICES

Type	Rated voltage	Terminals	Part no.	P.U.
SNE 4024K-A	24 V DC	Screw terminals, pluggable	R1.188.3930.0	1
SNE 4024K-C	24 V DC	Push-in terminals, pluggable	R1.188.3940.0	1

TECHNICAL DATA			
Function	Emergency stop expansion relay		
Function display	2 LED, green		
Power supply circuit			
Rated voltage U_N	B1/A2; B2/A2	24 V DC	
Rated consumption	1.4 W		
Operating voltage range U_B	0.75 - 1.25 U_N		
Control circuit			
Input current / peak current	B1/A2	ca. 30 mA / 110 mA	
	B2/A2	ca. 30 mA / 110 mA	
Response time t_{A1} / t_{A2}	< 15 ms		
Recovery time t_W	≤ 30 ms		
Release time t_R	≤ 15 ms		
Max. resistivity, per channel ¹⁾	≤ (5 + (1,333 x $U_B / U_N - 1$) x 200) Ω		
Output circuit			
Enabling paths	13/14, 23/24	normally open contact	
	33/34, 43/44	normally open contact	
Signaling paths	Y1/Y2	normally closed contact	
	Y3/Y4	normally closed contact	
Contact assignment	forcebly guided		
Contact type	Ag-alloy		
Rated switching voltage	230 V AC, 24 V DC		
Max. thermal current I_{th}	enabling / signaling path 6 A		
Max. total current I^2 of all current path	(Tu = 55 °C) 2 x 72 A ² / 2 x 8 A ²		
Application category (NO)	AC-15 DC-13 U_e 230 V, I_e 3 A U_e 24 V, I_e 1 A		
Short-circuit protection (NO), lead fuse / circuit breaker	6 A class gL / melting integral < 100 A ² s		
Mechanical life	10 x 10 ⁶ switching cycles		
General data			
Creepage distances and clearances between the circuits	EN 60664-1		
Protection degree according to EN 60529 (housing / terminals)	IP40 / IP20		
Ambient temperature / storage temperature	-25 °C - +65 °C / -25 °C - + 75 °C		
Wire ranges screw terminals,	fine-stranded / solid	1 x 0.2 mm ² - 2.5 mm ² / 2 x 0.2 mm ² - 1.0 mm ²	
	fine-stranded with ferrules	1 x 0.25 mm ² - 2.5 mm ² / 2 x 0.25 mm ² - 1.0 mm ²	
Permissible torque	0.5 - 0.6 Nm		
Wire ranges push-in terminals	1 x 0.25 mm ² - 1.5 mm ²		
Weight	0.180 kg		
Standards	EN ISO 13849-1, EN 62061, DIN EN 50156-1, EN 61511		
Approvals	TÜV, cULus Listed, CCC		

¹⁾ If two-channel devices are installed as single channel, the value is halved.

SENSOR PRO – SAFE SENSORS



SAFE ROTARY ENCODERS

SENC Series

Safe rotary encoders for functional safety capture information about drive shaft position and angle in the form of increments. They offer users a higher resolution, simpler mounting and a more rugged construction than proximity sensors. Our safe rotary encoders offer redundancy and high diagnostic coverage, which the standard encoders are unable to realize, and hence achieve Kat 4, PL e und SIL 3.



LIGHT CURTAINS + LIGHT GRIDS

Safety light curtains – SLC Series

SLC series safety light curtains are ideal for realizing optoelectronic protective devices. The SLC series is used to safeguard hazard points, for area protection or access protection.

Safety light curtains – SLD Series

SLD series safety light grids are optoelectronic personal protective devices for access protection at hazard points on plant and machinery.



EMERGENCY STOP BUTTONS

SNH Series

SNH series emergency stop buttons ensure the safety of man and machine, and offer the user a rugged and reliable design.

The quick and simple mounting of the emergency stop buttons saves time and money and the use of the highest-quality materials guarantees a long service life and reliable operation.

SNH series emergency stop buttons are suitable for numerous cross-sectoral applications.



CONTACTLESS SWITCHES

Non-contact safety switches – STS Series

The non-contact RFID safety switches of the STS series have the highest level of manipulation protection and are used to monitor the position of guards.

Magnetic safety switches – SMA Series

SMA series sensors are magnetic safety sensors and are used for contactless safety door and position monitoring. They have integrated manipulation protection and can be used up to IP67.

MECHANICAL SWITCHES

Safety switches with guard control – SIN Series

SIN series safety switches are used for the position monitoring of movable guards and prevent the unintentional opening of safety doors and flaps via the integrated guard control. Typical fields of application are machines with coasting movements, at which access is allowed to be granted only when the hazard has been eliminated.

Safety switches with separate actuator – SMS Series

SMS series safety switches are used for monitoring movable guards. They are suitable for both personal protection and process protection and available in three different versions.

SAFE POSITION SWITCHES

SLS Series

SLS series switches can be used for safe position monitoring. The switches can be actuated either by plunger or plastic roller.

SERIES SENC

SAFE HTL INCREMENTAL ENCODER



SENC-58H WITH HOLLOW SHAFT



SENC-58S WITH SOLID SHAFT

APPLICATIONS FOR SAMOS® PRO MOTION

- Safe Rotational speed, rotational direction or position monitoring to EN/IEC 61800-5-2
- Shutdown monitoring for commissioning or maintenance
- Safe direction detection (SDI) for rolls, gates or machines
- Safely reduced speed (SLS) for setup mode
- Safely limited position (SLP) for rotative or linear axes

FEATURES

- Rotational speed or position monitoring to SIL 3 and PL e, for 1 axis, and up to SIL 2 and PL d for 2 axes
- Special form fit with the positive lock for hollow shafts
- Compact 58 flange size with minimum space requirement inside the machine
- Flexible mounting with hollow shaft, solid shaft or axial connector
- Compatible HTL output for fast safe inputs on samos® PRO MOTION
- Resolutions from 360 ppr and 1024 ppr depending on accuracy requirement
- PUR encoder cable resistant to oil, UV, ozone and solvents
- Over 100,000 hours of service life from mounting at hollow shaft encoder
- Maximum peak speed of 9000 rpm and continuous speed of 4000 rpm

TYPE CODE

		SENC-	xxx	xx	xxx	xxxx	x
Shaft type and sizes	Solid shaft, size 58 mm		58S				
	Hollow shaft, size 58 mm		58H				
Shaft diameter	10 mm shaft diameter (58S only)			10			
	14 mm shaft diameter (58H only)			14			
Electronic system	Supply voltage 11-30 V, digital HTL output (AA/, BB/, ZZ/)				HTL		
Resolution	360 ppr (ppr: pulse/revolution)					0360	
	1024 ppr (ppr: pulse/revolution)					1024	
Connection orientation	Axial						A
	Radial						R

SAFETY-RELEVANT DATA

	PFD avg	PFH	MTTFd	DCavg	Mission Time	SIL	PL
Rotational speed monitoring (partially redundant) at 40 °C	6.60E-05	7.53E-10	1515	99.00 %	20 years	SIL 3	PL e / Cat 4
Rotational speed monitoring (partially redundant) at 80 °C	2.97E-04	3.39E-09	336	99.00 %	20 years	SIL 3	PL e / Cat 4
Position monitoring (single channel) at 40 °C	6.60E-05	7.53E-10	1515	99.00 %	20 years	SIL 3	PL e / Cat 4
Position monitoring (single channel) at 80 °C	2.97E-04	3.39E-09	336	99.00 %	20 years	SIL 3	PL e / Cat 4

SERIES SENC

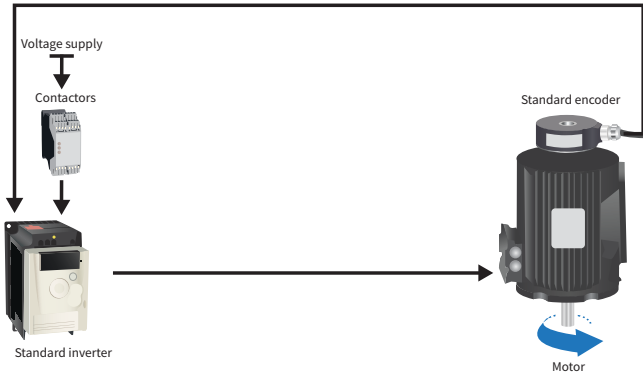
SAFE HTL INCREMENTAL ENCODER

TYPICAL ARCHITECTURE

The integration of encoders for speed monitoring in a safety loop is possible in various configurations. Various solutions, depending on the existing safety level and/or existing equipment, are presented below.

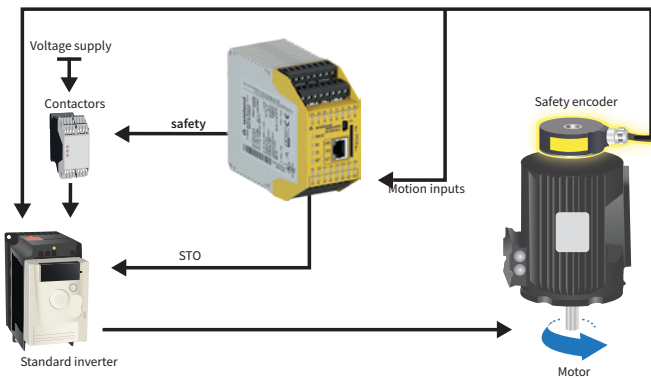
NOTE

The use of encoders in a safety loop requires external monitoring of the encoder signals. The safety modules offered by Wieland meet these requirements in a manner that is transparent for the user.



STANDARD INSTALLATION WITHOUT SIL CERTIFICATION

Safety level: 0



SOLUTION FOR MODULAR SAFETY

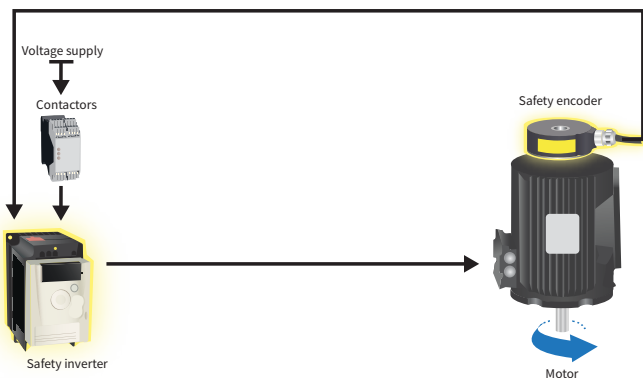
Safety level: to SIL 3/PL e

Establishing conformity of an existing system

Problem-free integration: +++
Cost-effective solution: +++

New design

Problem-free integration: +++
Cost-effective solution: ++



SOLUTION FOR INTEGRATED SAFETY

Safety level: to SIL 3/PL e

Establishing conformity of an existing system

Problem-free integration: +
Cost-effective solution: +

New design

Problem-free integration: +++
Cost-effective solution: +++

SERIES SENC

SAFE HTL INCREMENTAL ENCODER

TECHNICAL DATA		
Function	SENC-58Sxx	SENC-58Hxx
Incremental rotary encoder	Logging of position or angle changes via rectangular pulses with photoelectric sensing	
Nominal voltage U_N	24 V DC	
Operating voltage range U_B	11 – 30 V DC	
Galvanic isolation supply circuit - output circuit	No	
Supply current	100 mA without load	
Electrical data		
Output signals	Digital HTL signals (11-30 V DC)	
PIN coding	A, A/, B, B/ for safe incremental pulses 0, 0/ for index pulse (no internal plausibility check)	
Color coding of encoder cable (CABLE-M23CCW...)	A: gray, A/: pink, B: brown, B/: green, 0: red, 0/: black, +V: blue and green/brown, 0V: white and white/green	
Resolution	360 ppm and 1024 ppm	
Current per channel pair	40 mA	
Short circuit strength	Yes	
Protection against polarity reversal	Yes	
Mechanical data		
DIN-size	58 mm	
Shaft type	Solid shaft	Hollow shaft
Shaft diameter	1000 mm	14 mm
Housing material	Powder-coated, die-cast zinc	
Flange material	Aluminum	
Shaft material	AISI 303 stainless steel	
Bearing	6800 series – sealed	6803 series – sealed
Maximum loads	Axial: 40 N, radial: 80 N	Axial: 20 N, radial: 40 N
Shaft moment of inertia	< 2800 g/mm ²	< 9500 g/mm ²
Static/dynamic torque	5 / 35 mN/m	10 / 85 mN/m
Max. peak rotational speed	9000 rpm	9000 rpm
Max. continuous rotational speed	6000 rpm	4000 rpm
Theor. mechanical service life*	> 29.7/10 ⁹ revolutions / 82,365 hours	> 24/10 ⁹ revolutions / 100,000 hours
Weight (approx.)	0.300 kg	0.280 kg
General data		
Protection class as per DIN 60529	IP65	
Ambient temperature / storage temperature	-25°C – +85°C / -20°C – +85°C	
Standards	EN/ IEC 61508, IEC 13849-1, IEC 61800-5-2, IEC 62061	
Approvals	CE, TÜV, cULus listed	

* continuous max. rotational speed – ½ max. load – to ISO 281:1990, L10

OVERVIEW OF DEVICES

Type	Description	Part. no.	P.U.
SENC-58S10HTL0360A	Safe HTL encoder, SIL 3, PL e, solid shaft, size 58mm, 360ppr, axial	R1.450.1010.0	1
SENC-58S10HTL0360R	Safe HTL encoder, SIL 3, PL e, solid shaft, size 58mm, 360ppr, radial	R1.450.1020.0	1
SENC-58S10HTL1024A	Safe HTL encoder, SIL 3, PL e, solid shaft, size 58mm, 1024ppr, axial	R1.450.1050.0	1
SENC-58S10HTL1024R	Safe HTL encoder, SIL 3, PL e, solid shaft, size 58mm, 1024ppr, radial	R1.450.1060.0	1
SENC-58H14HTL0360R	Safe HTL encoder, SIL 3, PL e, hollow shaft, size 58mm, 360ppr, radial	R1.450.1110.0	1
SENC-58H14HTL1024R	Safe HTL encoder, SIL 3, PL e, hollow shaft, size 58mm, 1024ppr, radial	R1.450.1130.0	1

SERIES SENC

ACCESSORIES FOR ROTARY ENCODER LINE

Rotary encoder



Torque support with retaining bracket

Torque support with stator coupling

Torque supports offer a high degree of rotatory stability, preventing the encoder rotating along with the shaft. Flange adapters are used to mount the encoder on a motor. The reducing bushes allow you to reduce the diameter of a hollow shaft encoder. The encoder cables from PUR with M23 connector (encoder side) and open core (controller side) offer high flexibility, ruggedness and durability.

Rated for maximum ruggedness and optimized safety



Safe drive with keyed joint.



A unique device for continuous hollow shafts, which effectively prevents slippage through locking pins.



Rugged mechanical design with additional bearing in the cover.

OVERVIEW OF DEVICES

Type	Description	Part. no.	P.U.
ACCESSORIES: COUPLING			
COUP-STATOR-58-S	Stator coupling, size 58mm, stainless-steel	R1.450.9110.0	1
COUP-TETHER-58-S	Tether arm coupling, size 58mm, stainless-steel	R1.450.9120.0	1
ACCESSORIES: FLANGE ADAPTERS			
FLANGE-58-A	Flange adapter, size 58mm, aluminium	R1.450.9210.0	1
ACCESSORIES: SHAFT			
COUP-SHAFT-58S-S-10-10	Shaft coupling, solid shaft, size 58mm , shaft diameter 10mm to 10mm	R1.450.9250.0	1
KEY-SHAFT-58S-S-04-10	Shaft key, solid shaft, size 58mm, width 4mm, length 10mm	R1.450.9260.0	10
ACCESSORIES: ENCODER CABLE			
CABLE-M23CKW-PUR-015	Encoder cable, 1,5 m, PUR, shielded	R1.450.9310.0	1
CABLE-M23CKW-PUR-030	Encoder cable, 3 m, PUR, shielded	R1.450.9314.0	1
CABLE-M23CKW-PUR-050	Encoder cable, 5 m, PUR, shielded	R1.450.9320.0	1
CABLE-M23CKW-PUR-070	Encoder cable, 7 m, PUR, shielded	R1.450.9324.0	1
CABLE-M23CKW-PUR-100	Encoder cable, 10 m, PUR, shielded	R1.450.9330.0	1
CABLE-M23CKW-PUR-150	Encoder cable, 15 m, PUR, shielded	R1.450.9335.0	1
CABLE-M23CKW-PUR-200	Encoder cable, 20 m, PUR, shielded	R1.450.9340.0	1

The fault elimination of the mechanic is not part of the device and has to be provided by the operator. For additional information (e.g. drawings and dimensions), visit the eShop at <http://eshop.wieland-electric.com>

SERIES SLC4

SAFETY LIGHT CURTAIN



APPLICATIONS

- Access protection (finger and hand protection)
- Monitoring of access points and hazardous areas
- Vertical and horizontal protection

SAFETY LEVEL

- Up to PL e / Category 4 (EN ISO 13849-1)
- Up to SIL_{CL} 3 (EN 62061)

FEATURES

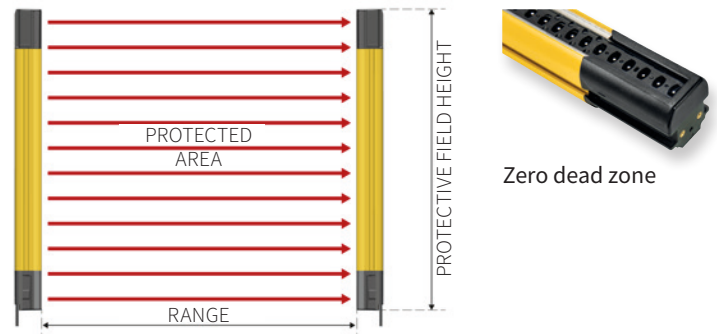
- Safety light curtain AOPD type 4
- Beam resolution 14 and 30 mm
- Protection field heights from 300 up to 2100 mm
- Standardized connection technology (M12)
- Ranges up to 30 m can be implemented
- Base and Standard-Muting variants available
- One package: SLC4-Sets incl. brackets and pigtail (M12 connection)
- Accessories for installation, mounting and muting optional available

MAXIMUM SAFETY AT HIGHEST EFFICIENCY

SLC4 is ideally suited for finger and hand protection to monitor safe access to machines, while ensuring high availability and reducing downtimes of the machines. The two different variants Base and Standard-Muting can solve standard as well as more complex applications, including muting-applications. Since all variants are based on the same platform, SLC4 can easily be replaced, e.g. for adaptations or retrofit at machines.

BENEFITS

- Configuration without software
- Zero dead zone
- All models are based on the same platform
- Clearly visible LEDs for on-site diagnostic
- Protective field heights from 300 up to 2100 mm



- Easy and fast installation without programming (Plug&Play for Base models)
- Space saving installation and flexible integration in the machine
- Easy replacement without design changes + reduced number of required accessories
- Fast on-site diagnostic to reduce downtimes of the machine
- Suitable devices for almost every application



Access protection with the safety light curtain SLC4

SERIES SLC4

SAFETY LIGHT CURTAIN

TECHNICAL DATA		
Function	Safety Light Curtain	
Function display	LED	
Power supply circuit		
Power supply U_N	24 Vdc \pm 20% ^a	
Current consumption (transmitter)	3.5 W max	
Current consumption, no load (receiver)	5.5 W max (without load)	
Operating voltage range U_B	0,8 - 1,2 x U_N	
Electrical isolation supply circuit-control circuit	no	
Protection field data	Resolution	Range / protective field height
	14 mm	0.2 - 10 m/ 300 - 2.100 mm
	30 mm	0.2 - 30 m/ 300 - 2.100 mm
Output circuit OSSD		
Number	2	
Type	PNP	
Short circuit and cross circuit monitoring	Yes	
Switching current (max., per output)	250 mA (500 mA total max current)	
Leakage current (max.)	< 1 mA	
Switching voltage, high active ($U_B - 1V$)	18.0 - 27.0 V	
Output voltage - ON min	Power supply value less 1 V	
Output voltage - OFF max	0.2 V	
Output capacitive load	1 μ F at 24 Vdc	
Line resistance / line length	< 4 Ω / \leq 30 m	
Response time	from 7 to 16 ms (30 mm resolution uncoded) from 9 to 28 ms (14 mm resolution uncoded)	
Optical data		
Light source	Infrared LED (850 nm wavelength)	
EAA angle	< \pm 2.5° at 3 meters	
Ambient light rejection	EN 61496-2-2020	
General data		
Protection degree according to EN 60529 (mechanical protection)	IP67, IP65	
Electrical protection	Class III	
Pollution degree	2	
Operating temperature	-30...+55 °C	
Storage temperature	-30...+60 °C	
Connection	M12 5; 8 poles (depending on the model)	
Cable length (max.)	30 m	
Weight	1.4 Kg/mt (single bar - without package)	
Vibrations	10 mm / 3g, 5 to 150 Hz frequency, (EN 60068-2-6 / Class 3M7 IEC TR 60721-4-3)	
Shock resistance	25g x 6 ms x 600 (EN 60068-2-27 / Class 3M7 IEC TR 60721-4-3)	
Housing material	Painted aluminum (yellow RAL 1003)	
Caps material	PBT Valox 553 black	
Caps cover material	PBT 1403g3 black	
Frontal cover material	MAKROLON AR 7099 Clear	
Standards	EN 61496, EN ISO 13849-1, EN 62061, EN 61508	
Approvals	CE, TÜV, UKCA, cULus Listed	
Safety related data		
PL (EN ISO 13849-1)	up to PL e (ref. EN ISO 13849-1: 2015)	
Category (EN ISO 13849-1)	up to Cat. 4 (ref. EN ISO 13849-1: 2015)	
SIL (IEC 61508)	up to SIL 3 (ref. EN 61508)	
SILCL (EN IEC 62061)	up to SIL CL 3 (ref. EN 62061:2005/A2: 2015)	
Type (EN IEC 61496)	Type 4 (ref. EN 61496-1: 2020)	
PFH _b	2.62 x 10 ⁻⁸ [1/h] (ref. EN 61508)	
MTTF _a [years]	43 (ref. EN ISO 13849-1 2015)	
T _M	20 years	
DC _{avg} (Average Diagnostic Coverage)	99%	
SFF (Safe Failure Fraction)	100%	
HTF (Hardware Fault Tolerance)	1	

SERIES SLC4 | DEVICE OVERVIEW

SAFETY LIGHT CURTAIN

	SLC4 Base	SLC4 Standard Muting
LED Display	●	●
Automatic Start	●	●
Manual start/ restart interlock		●
Muting		●
Cascading		●
External Device Monitoring (EDM)		●
Anti-interference coding		●
Configuration		By Dip-Switch

TRANSMITTER + RECEIVER

Protective field height hhh [mm]	Resolution Type	Base		Standard Muting	
		14 mm	30 mm	14 mm	30 mm
		SLC4-B14-hhhh	SLC4-B30-hhhh	SLC4-SM14-hhhh	SLC4-SM30-hhhh
0300		R1.610.0300.0	R1.612.0300.0	R1.611.0300.0	R1.613.0300.0
0450		R1.610.0450.0	R1.612.0450.0	R1.611.0450.0	R1.613.0450.0
0600		R1.610.0600.0	R1.612.0600.0	R1.611.0600.0	R1.613.0600.0
0750		R1.610.0750.0	R1.612.0750.0	R1.611.0750.0	R1.613.0750.0
0900		R1.610.0900.0	R1.612.0900.0	R1.611.0900.0	R1.613.0900.0
1050		R1.610.1050.0	R1.612.1050.0	R1.611.1050.0	R1.613.1050.0
1200		R1.610.1200.0	R1.612.1200.0	R1.611.1200.0	R1.613.1200.0
1350		R1.610.1350.0	R1.612.1350.0	R1.611.1350.0	R1.613.1350.0
1500		R1.610.1500.0	R1.612.1500.0	R1.611.1500.0	R1.613.1500.0
1650		R1.610.1650.0	R1.612.1650.0	R1.611.1650.0	R1.613.1650.0
1800		R1.610.1800.0	R1.612.1800.0	R1.611.1800.0	R1.613.1800.0
1950		R1.610.1950.0	R1.612.1950.0	R1.611.1950.0	R1.613.1950.0
2100		R1.610.2100.0	R1.612.2100.0	R1.611.2100.0	R1.613.2100.0

Further information on the muting types and the associated product accessories can be found on page 8-11!

SERIES SLG4

SAFETY LIGHT GRID



RELIABLE AND COST-EFFICIENT ACCESS PROTECTION AT HAZARDOUS AREAS

Whenever large areas at machine or on the production floor need reliable and safe access protection SLG4 series is the perfect choice. Ranges up to 70 m can be implemented with only one single system. The robust housing made of aluminum and the mechanical protection of IP67 in accordance with EN 60529 allow highest functional safety even under harsh environment conditions.

BENEFITS

- Configuration without software
- Robust design, operating temperature -30°C up to +50°C and protection degree IP67
- Finger/hand/body models are based on the same platform
- Clearly visible LEDs for on-site diagnostic
- Emitter, receiver, brackets and pigtail (already connected) included in package

APPLICATIONS

- Access and entry/exit protection (personal protection)
- Safeguarding of hazardous areas (long distances)

SAFETY LEVEL

- Up to PL e / Category 4 (EN ISO 13849-1)
- Up to SILCL 3 (EN 62061)

FEATURES

- Safety light grids AOPD type 4
- 2-, 3- and 4-beam systems
- Protection field heights from 500 up to 1200 mm
- Standardized connection technology (M12)
- Ranges up to 70 m can be implemented
- Base and Standard-Muting variants available
- One package: SLG4-Sets incl. brackets and pigtail (M12 connection)
- Accessories for installation, mounting and muting optional available

Standard M12 Connector for easy installation



- Easy and fast installation without programming (Plug&Play for Base models)
- Reliable and safe use even under harsh environmental conditions
- Easy replacement without design changes + reduced number of required accessories
- Fast on-site diagnostic to reduce downtimes of the machine and easy alignment of safety light grid
- Reduced assembly work and fast commissioning

SERIES SLG4

SAFETY LIGHT GRID

TECHNICAL DATA		
Function	safety light curtain	
Function display	LED	
Power supply circuit		
Power supply U_N	24 Vdc \pm 20%	
Current consumption (transmitter)	3.5 W max	
Current consumption, no load (receiver)	5.5 W max (without load)	
Operating voltage range U_B	0,8 - 1,2 x U_N	
Electrical isolation supply circuit-control circuit	no	
Protection field data	Resolution	Range / protective field height
	Body Short Range	0.5 - 15 m/ 500, 800, 900, 1.200 mm
	Body Long Range	5.0 - 70 m/ 500, 800, 900, 1.200 mm
Output circuit OSSD		
Number	2	
Type	PNP	
Short circuit and cross circuit monitoring	Yes	
Switching current (max., per output)	250 mA (500 mA total max current)	
Leakage current (max.)	< 1 mA	
Switching voltage, high active ($U_B - 1V$)	18.0 - 27.0 V	
Output voltage - ON min	Power supply value less 1 V	
Output voltage - OFF max	0.2 V	
Output capacitive load	1 μ F at 24 Vdc	
Line resistance / line length	< 4 Ω / \leq 30 m	
Response time	from 12 to 15 ms (uncoded)	
Optical data		
Light source	Infrared LED (850 nm wavelength)	
EAA angle	< \pm 2.5° at 3 meters	
Ambient light rejection	EN 61496-2-2020	
General data		
Protection degree according to EN 60529 (mechanical protection)	IP67, IP65	
Electrical protection	Class III	
Pollution degree	2	
Operating temperature	-30...+55 °C	
Storage temperature	-30...+60 °C	
Connection	M12.5; 8 poles (depending on the model)	
Cable length (max.)	30 m	
Weight	1.4 Kg/mt (single bar - without package)	
Vibrations	10 mm / 3g, 5 to 150 Hz frequency, (EN 60068-2-6 / Class 3M7 IEC TR 60721-4-3)	
Shock resistance	25g x 6 ms x 600 (EN 60068-2-27 / Class 3M7 IEC TR 60721-4-3)	
Housing material	Painted aluminum (yellow RAL 1003)	
Caps material	PBT Valox 553 black	
Caps cover material	PBT 1403g3 black	
Frontal cover material	MAKROLON AR 7099 Clear	
Standards	EN 61496, EN ISO 13849-1, EN 62061, EN 61508	
Approvals	CE, TÜV, UKCA, cULus Listed	
Safety related data		
PL (EN ISO 13849-1)	up to PL e (ref. EN ISO 13849-1: 2015)	
Category (EN ISO 13849-1)	up to Cat. 4 (ref. EN ISO 13849-1: 2015)	
SIL (IEC 61508)	up to SIL 3 (ref. EN 61508)	
SILCL (EN IEC 62061)	up to SIL CL 3 (ref. EN 62061:2005/A2: 2015)	
Type (EN IEC 61496)	Type 4 (ref. EN 61496-1: 2020)	
B_{10D}	NA	
PFH_D	2.62 x 10 ⁻⁸ [1/h] (ref. EN 61508)	
$MTTF_d$ [years]	43 (ref. EN ISO 13849-1 2015)	
T_M	20 years	
DC_{avg} (Average Diagnostic Coverage)	99%	
SFF (Safe Failure Fraction)	100%	
HTF (Hardware Fault Tolerance)	1	

SERIES SLG4

SAFETY LIGHT GRID

	SLG4 Base	SLG4 Standard Muting
LED Display	●	●
Automatic Start	●	●
Range reduction	●	●
Manual start/ restart interlock		●
Muting		●
External Device Monitoring (EDM)		●
Anti-interference coding		●
Configuration		By Dip-Switch

BASE

Type	Protective Field Height [mm]	Description	Part. no.	P.U.
SLG4-B2-0500	0500	Safety Light Grid Transmitter + Receiver, 2 beams, range up to 70 m	R1.620.0500.0	1
SLG4-B3-0800	0800	Safety Light Grid Transmitter + Receiver, 3 beams, range up to 70 m	R1.620.0800.0	1
SLG4-B4-0900	0900	Safety Light Grid Transmitter + Receiver, 4 beams, range up to 70 m	R1.620.0900.0	1
SLG4-B4-1200	1200	Safety Light Grid Transmitter + Receiver, 4 beams, range up to 70 m	R1.620.1200.0	1

STANDARD MUTING

Type	Protective Field Height [mm]	Description	Part. no.	P.U.
SLG4-SM2-0500	0500	Safety Light Grid Transmitter + Receiver, 2 beams, range up to 70 m	R1.621.0500.0	1
SLG4-SM3-0800	0800	Safety Light Grid Transmitter + Receiver, 3 beams, range up to 70 m	R1.621.0800.0	1
SLG4-SM4-0900	0900	Safety Light Grid Transmitter + Receiver, 2 beams, range up to 70 m	R1.621.0900.0	1
SLG4-SM4-1200	1200	Safety Light Grid Transmitter + Receiver, 2 beams, range up to 70 m	R1.621.1200.0	1

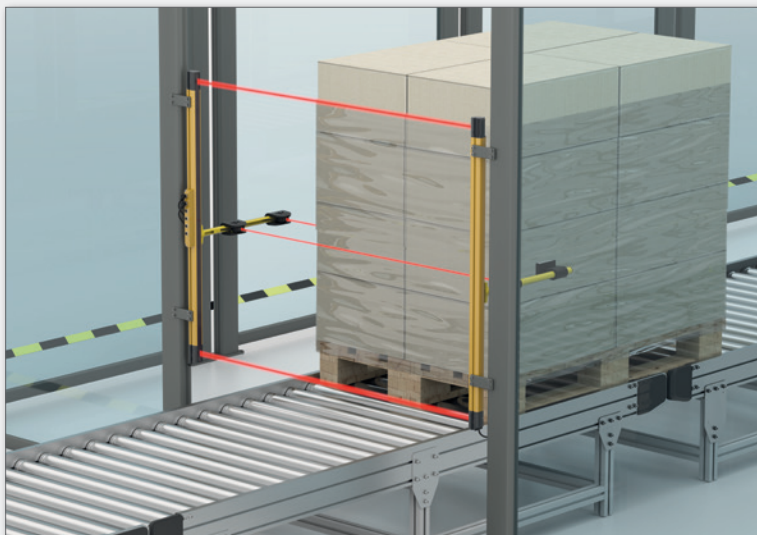
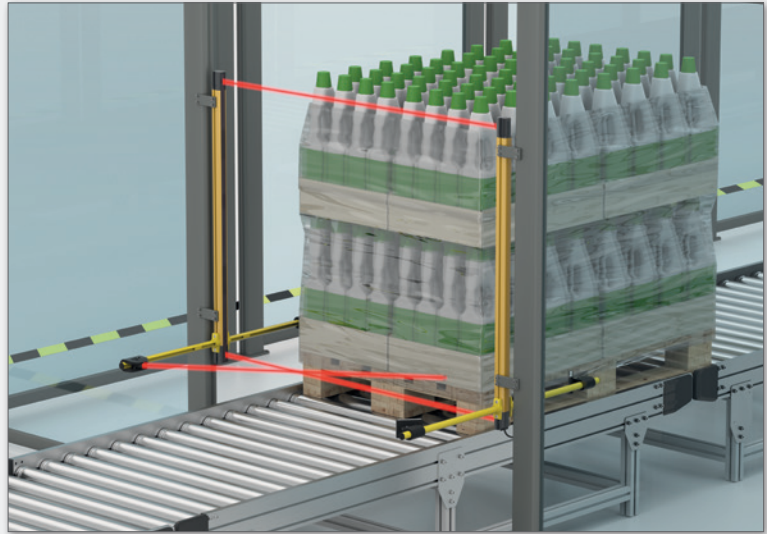
Further information on the muting types and the associated product accessories can be found on page 84-87!

SERIES SLC4 + SLG4

MUTING TYPES

CROSS MUTING (2-SENSOR-MUTING)

Material movement possible in both directions.
Simultaneous activation of the muting sensors.

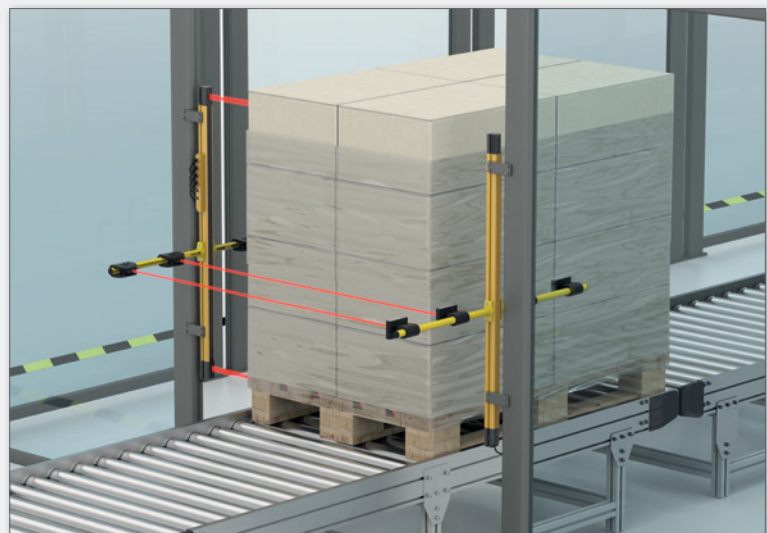


L-MUTING (2-SENSOR-MUTING)

Material movements only possible
from hazardous area.
Successive activation of the muting
sensors.
Well suited for space saving applications.

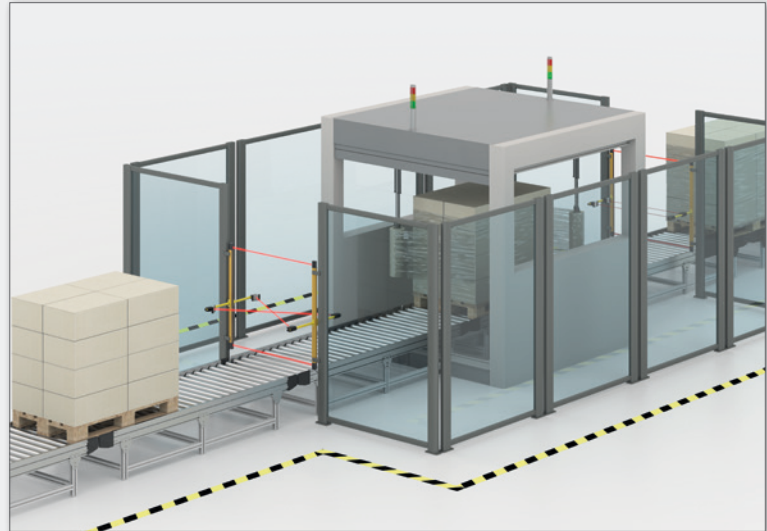
T-MUTING (4-SENSOR-MUTING)

Material movement possible in both directions.
Successive activation of the muting sensors.
If the beams of the muting sensors cannot cross,
e.g. with highly reflective material surfaces.



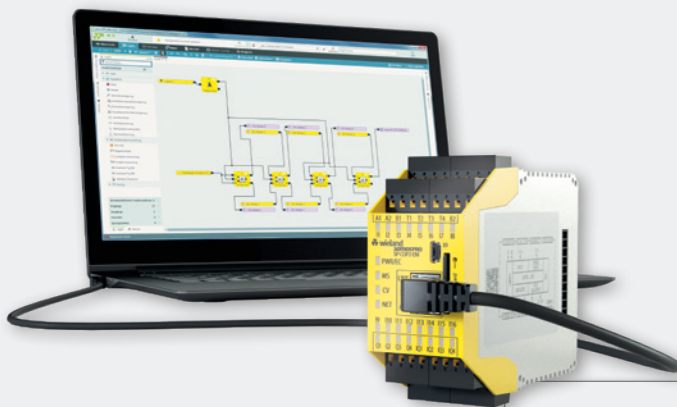
SERIES SLC4 + SLG4

APPLICATION EXAMPLES



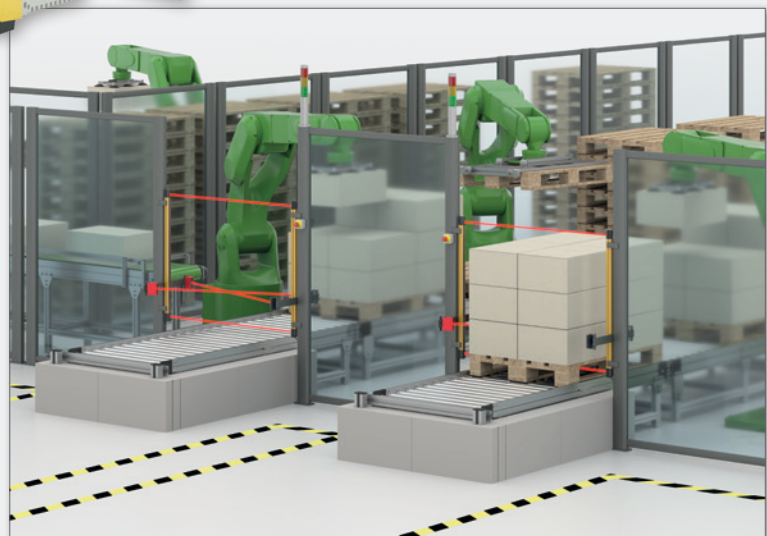
MUTING WITH SLG4

Safety light grids SLG4 Standard Muting with 2-sensor-muting at a packaging machine.



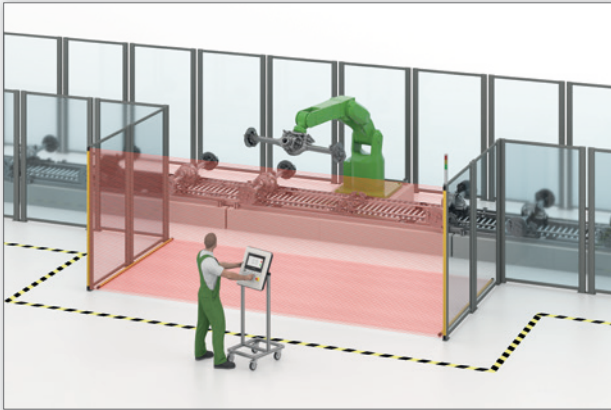
SLG4 – MUTING FUNCTIONS WITH SAMOS® PRO COMPACT

Safety Light Grids SLG4 and Safety Light Curtains SLC4 are ideally suited for monitoring material locks, such as in the packaging industry, in combination with the freely configurable muting function blocks of samos® PRO.



SERIES SLC4 + SLG4

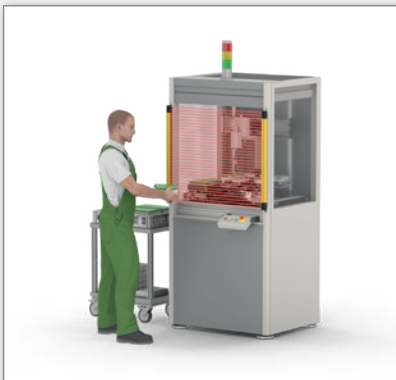
APPLICATION EXAMPLES



PRESENCE DETECTION VIA CASCADING OF SLC4

A vertically Safety Light Curtain SLC4 is used to protect the operator from the hazardous movement of the machine. In addition, presence detection is enabled with a horizontally mounted second SLC4. Both SLC4 Safety Light Curtains are connected via cascading function.

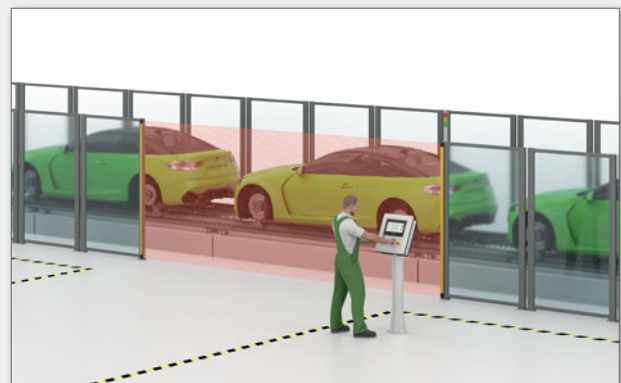
POINT OF OPERATING GUARDING



Point of operating guarding for hand and finger protection is typically the most common application for SLC4 series Base and Standard Muting.

ACCESS GUARDING ON A PRODUCTION LINE

Safety Light Curtains SLC4 with up to 30 mm resolution can be used for access guarding into danger zones. SLC4 detect people upon entry into the danger zone.



SERIES SLC4 + SLG4

ACCESSOIRES

MOUNTING

Type	Description	Part. no.	P.U.
SLX4-AC-LP	Laser alignment aid (external), battery-powered	R1.690.0001.0	1
SLX4-MO-RB	Rotative Bracket Set, 4 pcs	R1.690.0005.0	1
SLX4-AC-TB14	Test Bar Finger Protection, 14 mm Resolution	R1.690.0032.0	1
SLX4-AC-TB30	Test Bar Hand Protection, 30 mm Resolution	R1.690.0033.0	1
SLX4-MO-AVK	Shock absorber for Mounting L-Bracket Set, 4 pcs	R1.690.0040.0	1
SLX4-MO-LB	Mounting L-Bracket Set, 4 pcs	R1.690.0041.0	1

INSTALLATION CABLES

Type	Description	Part. no.	P.U.
SLX4-AC-CC1	Cascade Cable 1m	R1.690.0002.0	1
SLX4-AC-CC3	Cascade Cable 3m	R1.690.0003.0	1
SLX4-AC-CC10	Cascade Cable 10m	R1.690.0004.0	1
SLX4-AC-RP-5	Replacement Plug Base, Connector M12 5-poles	R1.690.0014.0	1
SLX4-AC-RP-5-5	Replacement Plug Standard Muting, Female and Male Connector M12 5-poles	R1.690.0017.0	1
SLX4-AC-RP-8-5	Replacement Plug Standard Muting, Female Connector M12 5-poles and Male Connector M12 8-poles	R1.690.0018.0	1
SLX4-AC-SP	Screw Plug	R1.690.0039.0	1

CONNECTION CABLES

Type	Description	Part. no.	P.U.
SLX-CAB-M12-S0505	Connection cable M12, 5-pole, length 5m, shielded	R1.600.0505.0	1
SLX-CAB-M12-S0510	Connection cable M12, 5-pole, length 10m, shielded	R1.600.0510.0	1
SLX-CAB-M12-S0515	Connection cable M12, 5-pole, length 15m, shielded	R1.600.0515.0	1
SLX-CAB-M12-S0525	Connection cable M12, 5-pole, length 25m, shielded	R1.600.0525.0	1
SLX-CAB-M12-S0550	Connection cable M12, 5-pole, length 50m, shielded	R1.600.0550.0	1
SLX-CAB-M12-S0805	Connection cable M12, 8-pole, length 5m, shielded	R1.600.0805.0	1
SLX-CAB-M12-S0810	Connection cable M12, 8-pole, length 10m, shielded	R1.600.0810.0	1
SLX-CAB-M12-S0815	Connection cable M12, 8-pole, length 15m, shielded	R1.600.0815.0	1
SLX-CAB-M12-S0825	Connection cable M12, 8-pole, length 25m, shielded	R1.600.0825.0	1
SLX-CAB-M12-S0850	Connection cable M12, 8-pole, length 50m, shielded	R1.600.0850.0	1
SLX-CAB-M12-0505	Connection cable M12, 5-pole, length 5m, unshielded	R1.500.0505.0	1
SLX-CAB-M12-0510	Connection cable M12, 5-pole, length 10m, unshielded	R1.500.0510.0	1
SLX-CAB-M12-0515	Connection cable M12, 5-pole, length 15m, unshielded	R1.500.0515.0	1
SLX-CAB-M12-0525	Connection cable M12, 5-pole, length 25m, unshielded	R1.500.0525.0	1
SLX-CAB-M12-0550	Connection cable M12, 5-pole, length 50m, unshielded	R1.500.0550.0	1
SLX-CAB-M12-0805	Connection cable M12, 8-pole, length 5m, unshielded	R1.500.0805.0	1
SLX-CAB-M12-0810	Connection cable M12, 8-pole, length 10m, unshielded	R1.500.0810.0	1
SLX-CAB-M12-0815	Connection cable M12, 8-pole, length 15m, unshielded	R1.500.0815.0	1
SLX-CAB-M12-0825	Connection cable M12, 8-pole, length 25m, unshielded	R1.500.0825.0	1
SLX-CAB-M12-0850	Connection cable M12, 8-pole, length 50m, unshielded	R1.500.0850.0	1

MUTING

Type	Description	Part. no.	P.U.
SLX4-MUT-TMC	Muting Cable for T-Muting, M12 4-poles	R1.690.0006.0	1
SLX4-MUT-LMC	Muting Cable for L-Muting, M12 4-poles	R1.690.0007.0	1
SLX4-MUT-SETCAT	Muting-Sensor-Set T-Muting, incl. 4 Active and Passive Arms with pre-assembled Sensors and Reflectors	R1.690.0008.0	1
SLX4-MUT-SETCAL	Muting-Sensor-Set L-Muting, incl. 4 Active and Passive Arms with pre-assembled Sensors and Reflectors	R1.690.0009.0	1
SLX4-MUT-CONBOX	Muting Connection Box for Muting-Sensors, 4 Connection Sockets	R1.690.0010.0	1
SLX4-MUT-MOUNTKIT	Mounting Set for Muting Connection Box	R1.690.0011.0	1
SLX4-MUT-SET2P	Muting-Sensor-Set for Cross-Muting including 2 Passive and 2 Active Arms, adjustable, pre-assembled	R1.690.0034.0	1
SLX4-MUT-SET4S	Muting-Sensor-Set for Cross-Muting including 2 Passive and 2 Active Arms, adjustable, pre-assembled	R1.690.0035.0	1
SLX4-MUT-SET2BL	Muting-Sensor-Set for L-Muting including 1 Passive and 1 Active Arms, adjustable, pre-assembled, left sided	R1.690.0036.0	1
SLX4-MUT-SET2BR	Muting-Sensor-Set for L-Muting including 1 Passive and 1 Active Arms, adjustable, pre-assembled, right sided	R1.690.0037.0	1
SLX4-MUT-REFLEX	Replacement Reflector for Muting-Sensor-Sets	R1.690.0038.0	1

SERIES SLC

SAFETY LIGHT CURTAIN



FUNCTIONS SUITABLE FOR EVERY PROTECTION TASK

All important contactless safety functions on machines and equipment can be realized by means of the two function versions, Standard and Professional of the SLC series.

ADVANTAGES

HIGHER EQUIPMENT AVAILABILITY

- Easy adjustment and stable operation through slim and rigid housing
- Parameterization without PC or DIP switch through simple wiring in the control cabinet
- The integrated Double-Scan technology avoids unwanted shutdown even in harsh operating conditions
- Clear diagnostic and status messages in the 7-segment display ensure shorter downtimes
- Cable lengths up to 100 m with unshielded connection cables ensure greater operational flexibility and reduce costs even under difficult EMC conditions



APPLICATIONS

- Access protection (finger, hand and arm protection)
- Access security (personal protection)
- Horizontal zone protection

SAFETY LEVEL

- Up to PL e / Category 4 (EN ISO 13849-1)
- Up to SIL_{CL} 3 (EN 62061)

FEATURES

- Safety light curtain AOPD type 4
- Beam resolution 14, 20, 30 and 40 mm
- Protection field heights 300 – 1800 mm
- Extensive accessories



With 3-Zone alignment indication

FASTER DURING COMMISSIONING, OPERATION AND SERVICE

- The 3-zone alignment indicator reduces assembly time and simplifies jutage
- The wide range of SLC products permits optimal and cost-effective design of protective devices
- Easy to connect via standard M12 connection technology
- Fast installation and removal on the machine through a system configuration in the control cabinet
- Selectable transmission channels and range reduction prevent mutual interference
- Simplified planning of safeguards because every SLC safety light curtain can be used from 0 m to the respective maximum range

Finger, hand and arm protection on machines with the safety light curtain SLC

SERIES SLC

SAFETY LIGHT CURTAIN

TECHNICAL DATA		
Function	safety light curtain	
Function display	LED	
Power supply circuit		
Rated voltage U_N	24 V DC	
Current consumption (transmitter)	50 mA	
Current consumption, no load (receiver/transceiver)	150 mA	
Operating voltage range U_B	0.8 - 1.2 x U_N	
Electrical isolation supply circuit - control circuit	no	
Protection field data		
	Resolution	Range / protective field height
	14 mm	0 - 6 m / 300 - 1800 mm
	20 mm	0 - 15 m / 300 - 1800 mm
	30 mm	0 - 10 m / 300 - 1800 mm
	40 mm	0 - 20 m / 300 - 1800 mm
Output circuit OSSD		
Number	2	
Type	Transistor outputs PNP	
Short circuit and cross circuit monitoring	yes	
Switching current (max., per output)	380 mA	
Leakage current (max.)	200 μ A	
Switching voltage, high active ($U_B - 1V$)	18.0 - 27.0 V	
Switching voltage, low	0 - 2,5 V	
Line resistance / line length	< 200 Ω / \leq 100 m	
Response time	4 - 39 ms, device-dependent	
General data		
Creepage distances and clearances between the circuits	EN 60664-1	
Protection degree according to EN 60529	IP65	
Ambient temperature / storage temperature	-30 °C - +55 °C / -30 °C - +70 °C	
Connection	M12, 5-pole (Transmitter) M12, 8-pole (Receiver)	
Weight	0.3 - 1.95 kg, device-dependent	
Standards	EN 61496, EN ISO 13849-1, EN 62061	
Approvals	TÜV, c-CSA-us	
Safety related data		
PL (EN ISO 13849-1)	up to PL e	
Category (EN ISO 13849-1)	up to category 4	
SIL (IEC 61508)	up to SIL 3	
SIL _{CL} (EN IEC 62061)	up to SIL _{CL} 3	
Type (EN IEC 61496)	Type 4	
B _{10D}	NA	
PFH _b	7.73 x 10 ⁻⁹ 1/h	
T _M	20 years	

	SLC Standard	SLC Professional
LED display	●	●
Range reduction	●	●
Selectable transmission channels	●	●
7-segment display		●
Automatic start	●	●
Manual start / restart interlock		●
beam blanking		●
Muting function		●
Device linking		●
variable scan modes		●

SERIES SLC | DEVICE OVERVIEW

SAFETY LIGHT CURTAIN

TRANSMITTER

Protective field height hhhh [mm]	Resolution	14 mm	20 mm	30 mm	40 mm
	Type	SLC-4TR14-hhhh	SLC-4TR20-hhhh	SLC-4TR30-hhhh	SLC-4TR40-hhhh
0300		R1.541.0300.0	R1.542.0300.0	R1.543.0300.0	R1.544.0300.0
0450		R1.541.0450.0	R1.542.0450.0	R1.543.0450.0	R1.544.0450.0
0600		R1.541.0600.0	R1.542.0600.0	R1.543.0600.0	R1.544.0600.0
0750		R1.541.0750.0	R1.542.0750.0	R1.543.0750.0	R1.544.0750.0
0900		R1.541.0900.0	R1.542.0900.0	R1.543.0900.0	R1.544.0900.0
1050		R1.541.1050.0	R1.542.1050.0	R1.543.1050.0	R1.544.1050.0
1200		R1.541.1200.0	R1.542.1200.0	R1.543.1200.0	R1.544.1200.0
1350		R1.541.1350.0	R1.542.1350.0	R1.543.1350.0	R1.544.1350.0
1500		R1.541.1500.0	R1.542.1500.0	R1.543.1500.0	R1.544.1500.0
1650		R1.541.1650.0	R1.542.1650.0	R1.543.1650.0	R1.544.1650.0
1800		R1.541.1800.0	R1.542.1800.0	R1.543.1800.0	R1.544.1800.0

RECEIVER STANDARD

Protective field height hhhh [mm]	Resolution	14 mm	20 mm	30 mm	40 mm
	Type	SLC-4ST14-hhhh	SLC-4ST20-hhhh	SLC-4ST30-hhhh	SLC-4ST40-hhhh
0300		R1.551.0300.0	R1.552.0300.0	R1.553.0300.0	R1.554.0300.0
0450		R1.551.0450.0	R1.552.0450.0	R1.553.0450.0	R1.554.0450.0
0600		R1.551.0600.0	R1.552.0600.0	R1.553.0600.0	R1.554.0600.0
0750		R1.551.0750.0	R1.552.0750.0	R1.553.0750.0	R1.554.0750.0
0900		R1.551.0900.0	R1.552.0900.0	R1.553.0900.0	R1.554.0900.0
1050		R1.551.1050.0	R1.552.1050.0	R1.553.1050.0	R1.554.1050.0
1200		R1.551.1200.0	R1.552.1200.0	R1.553.1200.0	R1.554.1200.0
1350		R1.551.1350.0	R1.552.1350.0	R1.553.1350.0	R1.554.1350.0
1500		R1.551.1500.0	R1.552.1500.0	R1.553.1500.0	R1.554.1500.0
1650		R1.551.1650.0	R1.552.1650.0	R1.553.1650.0	R1.554.1650.0
1800		R1.551.1800.0	R1.552.1800.0	R1.553.1800.0	R1.554.1800.0

RECEIVER PROFESSIONAL

Protective field height hhhh [mm]	Resolution	14 mm	20 mm	30 mm	40 mm
	Type	SLC-4PR14-hhhh	SLC-4PR20-hhhh	SLC-4PR30-hhhh	SLC-4PR40-hhhh
0300		R1.571.0300.0	R1.572.0300.0	R1.573.0300.0	R1.574.0300.0
0450		R1.571.0450.0	R1.572.0450.0	R1.573.0450.0	R1.574.0450.0
0600		R1.571.0600.0	R1.572.0600.0	R1.573.0600.0	R1.574.0600.0
0750		R1.571.0750.0	R1.572.0750.0	R1.573.0750.0	R1.574.0750.0
0900		R1.571.0900.0	R1.572.0900.0	R1.573.0900.0	R1.574.0900.0
1050		R1.571.1050.0	R1.572.1050.0	R1.573.1050.0	R1.574.1050.0
1200		R1.571.1200.0	R1.572.1200.0	R1.573.1200.0	R1.574.1200.0
1350		R1.571.1350.0	R1.572.1350.0	R1.573.1350.0	R1.574.1350.0
1500		R1.571.1500.0	R1.572.1500.0	R1.573.1500.0	R1.574.1500.0
1650		R1.571.1650.0	R1.572.1650.0	R1.573.1650.0	R1.574.1650.0
1800		R1.571.1800.0	R1.572.1800.0	R1.573.1800.0	R1.574.1800.0

SERIES SLD

SAFETY LIGHT GRID



APPLICATIONS

- Access security (personal protection)
- Safeguarding of hazardous areas

SAFETY LEVEL

- Up to PL e / Category 4 (EN ISO 13849-1)
- Up to SIL_{CL} 3 (EN 62061)

FEATURES

- Safety light grid AOPD type 4
- 2-, 3- and 4-beam resolutions
- Available as transmitter-receiver or transceiver systems
- High ranges up to 70 m can be implemented
- Extensive accessories

PERSONAL PROTECTION FUNCTION

The SLD safety light grids are especially suitable for the contactless safeguarding of hazardous areas and for personal protection on machines and equipment.

If long ranges are also required for safeguarding, SLD safety light grids are an economical solution compared to other optoelectronic protective devices.

ADVANTAGES

FASTER DURING COMMISSIONING, OPERATION AND SERVICE

- The integrated laser alignment aid (optional) permits precise mounting and reduces the startup times of the SLD system
- Parameterization without PC or DIP switch through simple wiring in the control cabinet
- Easy installation and diagnosis with the help of the 7-segment display
- Clearly visible status and muting indicators Enable remote diagnostics
- Plug & Play due to M12 connection technology

INCREASED RELIABILITY

- Robust aluminum housing in IP67
- Operating temperature range -30 °C to 55 °C permits implementation even in the harshest environments
- Multi-beam scanning avoids unwanted shutdown
- Mutual interference is avoided through the adjustable range reduction when implementing multiple systems
- Robust device columns with spring-loaded base mounting and integrated alignment aid are available for the free-standing implementation

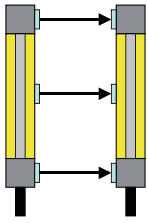


← Integrated status and muting indicator

← Integrated laser alignment aid

SERIES SLD

SAFETY LIGHT GRID

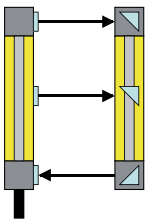


SLD STANDARD

The safety light grid SLD Standard each consist of a transmitter and a receiver unit and are thus suitable for highest ranges

- 2-, 3- and 4-beam systems
- Ranges up to 70 m

	SLD Standard
LED display	●
Multi-scan technology	●
Range reduction	●
Laser alignment aid (optional)	●
Automatic start	●



SLD UNIVERSAL – LESS CABLING EXPENDITURE

The safety light grids consist of an integrated SLD universal transmitter/receiver unit and a passive reflector unit without electrical connection.

- 2- and 3-beam systems
- Range up to 8 m

	SLD Universal Standard	SLD Universal Professional
Transceiver system	●	●
LED display	●	●
Multi-scan technology	●	●
Automatic start	●	
Manual start / restart interlock		●
External device monitoring (EDM)		●
7-segment display		●
Muting function		●
Muting lamp integrated		●

SERIES SLD

SAFETY LIGHT GRID

TECHNICAL DATA		
Function		safety light grid
Function display		LED
Power supply circuit		
Rated voltage U_N		24 V DC
Current consumption (transmitter)		50 mA
Current consumption, no load (receiver/transceiver)		150 mA
Operating voltage range U_B		0.8 - 1.2 x U_N
Electrical isolation supply circuit - control circuit		no
Protection field data		
	Beams	Range (device-dependent)
	2	0.5 - 50 m / 20 - 70 m / 0.5 - 8 m
	3	0.5 - 50 m / 20 - 70 m / 0.5 - 6 m
	4	0.5 - 50 m / 20 - 70 m
Output circuit OSSD		
Number		2
Type		Transistor outputs PNP
Short-circuit monitoring		ja
Switching current (max., per output)		380 mA
Leakage current (max.)		200 μ A
Switching voltage, high active ($U_B - 1V$)		18.0 - 27.8 V
Switching voltage, low		0 - 2.5 V
Line resistance / line length		< 200 Ω
Response time		25 ms
General data		
Creepage distances and clearances between the circuits		EN 60664-1
Protection degree according to EN 60529		IP67
Ambient temperature / storage temperature		-30 °C - +55 °C / -40 °C - + 75 °C
Connection		M12 (5 pole / 8 pole) device-dependent
Weight		1.4 - 2.2 kg, device-dependent
Standards		EN 61496, EN ISO 13849-1, EN 62061
Approvals		TÜV, c-CSA-us
Safety related data		
PL (EN ISO 13849-1)		up to PL e
Category (EN ISO 13849-1)		up to category 4
SIL (IEC 61508)		up to SIL 3
SIL _{cl} (EN IEC 62061)		up to SIL _{cl} 3
Type (EN IEC 61496)		Type 4
B _{10D}		NA
PFH _b		6.6 x 10 ⁻⁹ 1/h
T _M		20 years

Note: For the connection of safety light grids SLD shielded cables are mandatory.

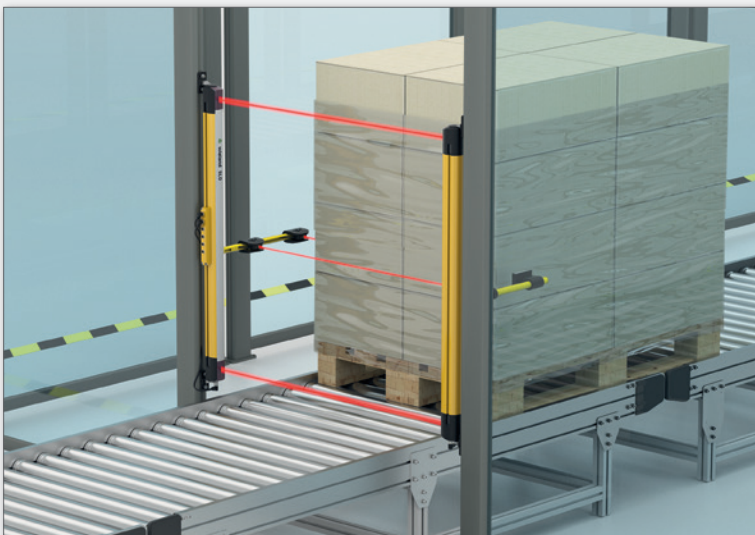
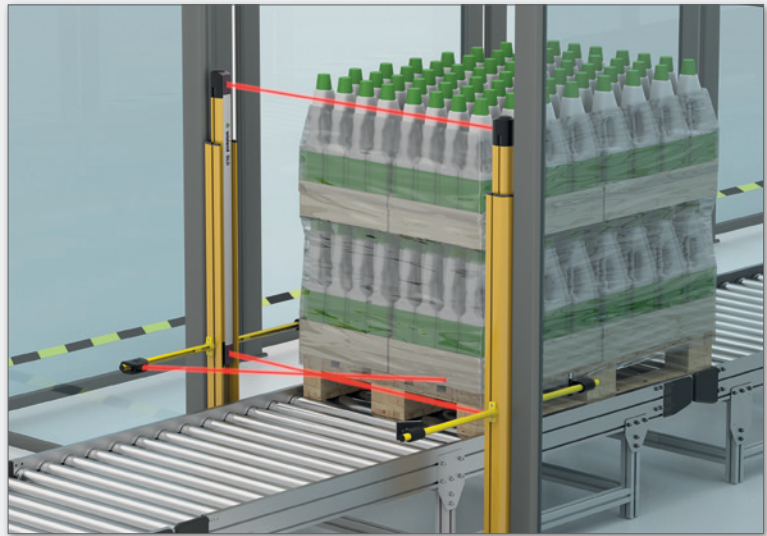
SERIE SLD

MUTING TYPES

TIME-CONTROLLED 2-SENSOR MUTING

Material movements through the protective field possible in both directions.

Simultaneous activation of the muting sensors (within 4 s).



SEQUENCE-CONTROLLED 2-SENSOR MUTING

Material movements only possible from hazardous area.

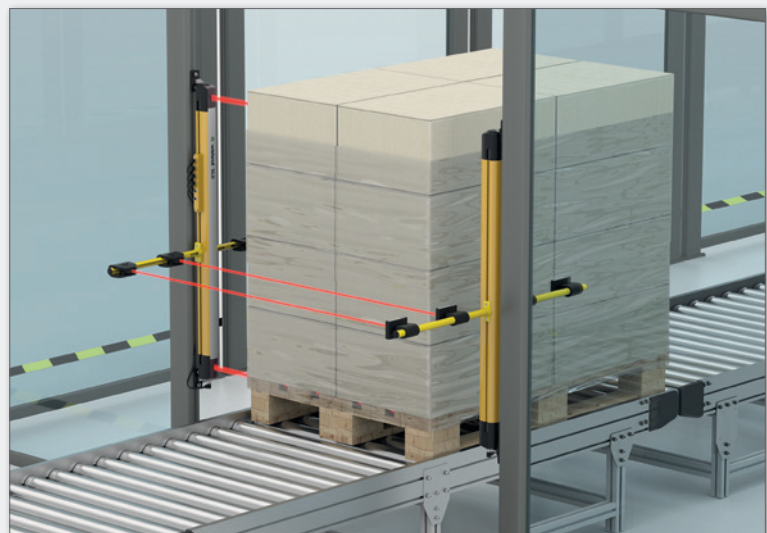
Successive activation of the muting sensors (within 8 h).

TIME-CONTROLLED 4-SENSOR MUTING

Material movements through the protective field possible in both directions.

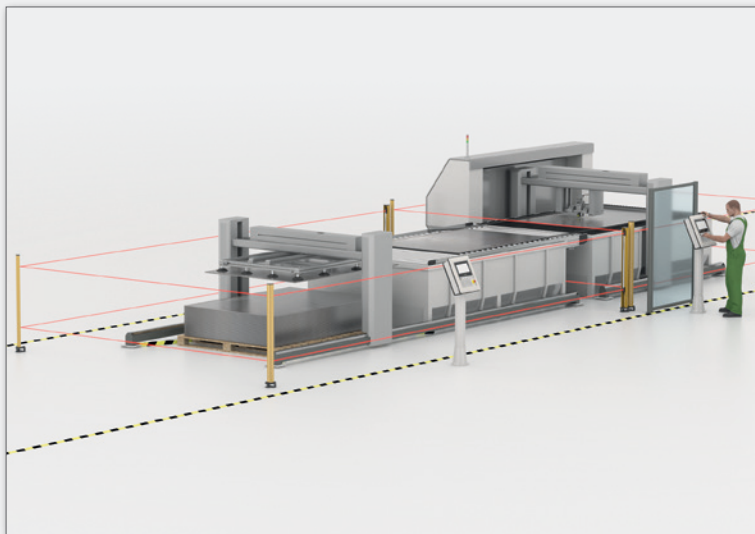
Successive activation of the muting sensors (within 4 s).

Use necessary if the beams of the muting sensors are not to cross, e.g., with highly reflective material surfaces.

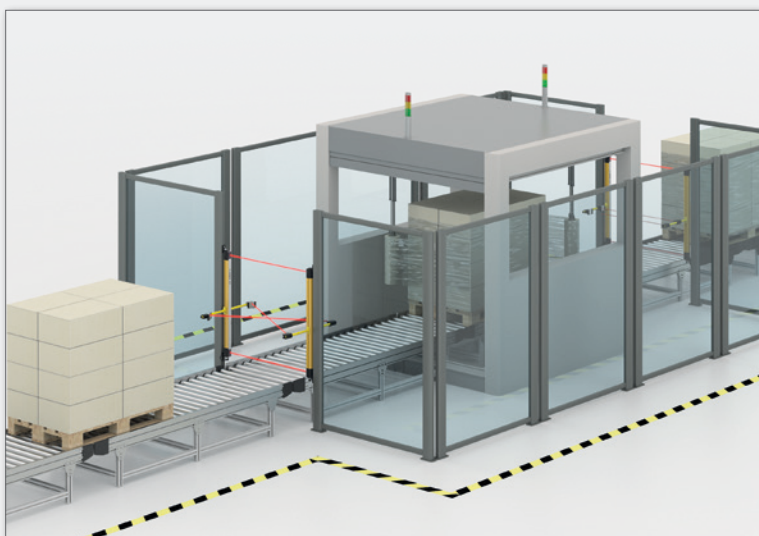


SERIE SLD

APPLICATION EXAMPLES



Multi-sided safeguarding of a sheet metal processing machine by SLD safety light grids and SLD deflection mirrors.

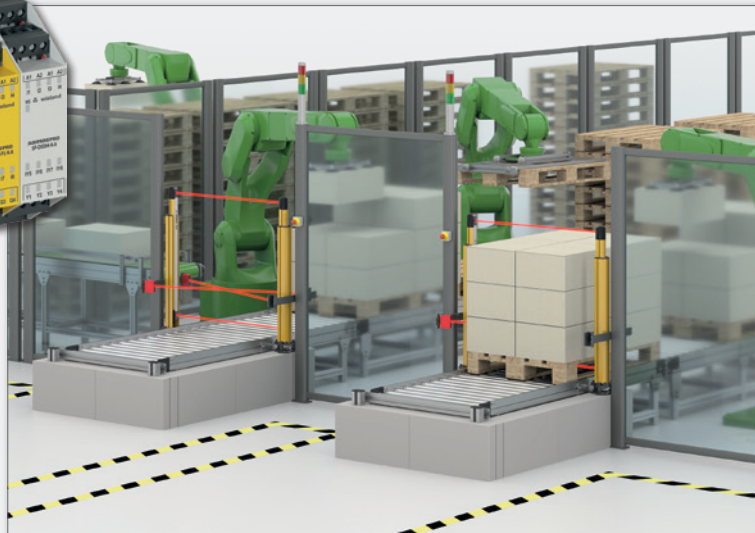


Safety light grids SLD Universal-Professional with time-controlled 2-sensor-muting at a packaging machine.



SLD – MUTING FUNCTIONS WITH SAMOS[®]PRO

SLD safety light grids are ideally suited for monitoring material locks, such as in the packaging industry, in combination with the freely configurable muting function blocks of samos[®]PRO, for example in the packaging industry.



SERIES SLD | DEVICE OVERVIEW

SAFETY LIGHT GRIDS

TRANSMITTER

Type	Description	Part. no.	P.U.
SLD-4TR2-0-50	Transmitter, 2 beams, range 50 m	R1.641.2050.0	1
SLD-4TR2-1-50	Transmitter, 2 beams, range 50 m, laser alignment aid	R1.641.2150.0	1
SLD-4TR2-1-70	Transmitter, 2 beams, range 70 m, laser alignment aid	R1.641.2170.0	1
SLD-4TR3-0-50	Transmitter, 3 beams, range 50 m	R1.641.3050.0	1
SLD-4TR3-1-50	Transmitter, 3 beams, range 50 m, laser alignment aid	R1.641.3150.0	1
SLD-4TR3-1-70	Transmitter, 3 beams, range 70 m, laser alignment aid	R1.641.3170.0	1
SLD-4TR4-0-50	Transmitter, 4 beams, range 50 m	R1.641.4050.0	1
SLD-4TR4-1-50	Transmitter, 4 beams, range 50 m, laser alignment aid	R1.641.4150.0	1
SLD-4TR4-1-70	Transmitter, 4 beams, range 70 m, laser alignment aid	R1.641.4170.0	1

RECEIVER STANDARD

Type	Description	Part. no.	P.U.
SLD-4ST2-0-50	Receiver-Standard, 2 beams, range 50 m	R1.642.2050.0	1
SLD-4ST2-1-50	Receiver-Standard, 2 beams, range 50 m, laser alignment aid	R1.642.2150.0	1
SLD-4ST2-1-70	Receiver-Standard, 2 beams, range 70 m, laser alignment aid	R1.642.2170.0	1
SLD-4ST3-0-50	Receiver-Standard, 3 beams, range 50 m	R1.642.3050.0	1
SLD-4ST3-1-50	Receiver-Standard, 3 beams, range 50 m, laser alignment aid	R1.642.3150.0	1
SLD-4ST3-1-70	Receiver-Standard, 3 beams, range 70 m, laser alignment aid	R1.642.3170.0	1
SLD-4ST4-0-50	Receiver-Standard, 4 beams, range 50 m	R1.642.4050.0	1
SLD-4ST4-1-50	Receiver-Standard, 4 beams, range 50 m, laser alignment aid	R1.642.4150.0	1
SLD-4ST4-1-70	Receiver-Standard, 4 beams, range 70 m, laser alignment aid	R1.642.4170.0	1

UNIVERSAL

Type	Description	Part. no.	P.U.
SLD-4US2-0-00	Universal-Standard, 2 beams	R1.644.2000.0	1
SLD-4US3-0-00	Universal-Standard, 3 beams	R1.644.3000.0	1
SLD-4UP2-0-00	Universal-Professional, 2 beams	R1.648.2000.0	1
SLD-4UP3-0-00	Universal-Professional, 3 beams	R1.648.3000.0	1
SLD-4UP2-2-00	Universal-Professional, 2 beams, muting lamp	R1.648.2200.0	1
SLD-4UP3-2-00	Universal-Professional, 3 beams, muting lamp	R1.648.3200.0	1
SLD-MIR2-0-08	Mirror, 2 beams, range 8 m	R1.606.2008.0	1
SLD-MIR3-0-06	Mirror, 3 beams, range 6 m	R1.606.3006.0	1
SLD-MIR3-0-08	Mirror, 3 beams, range 8 m	R1.606.3008.0	1

SERIES SLC

MOUNTING ACCESSORIES

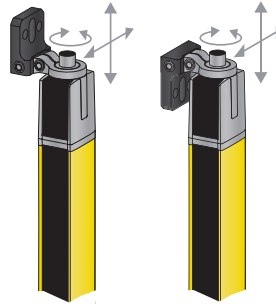


SLX-MO-RO1



SLX-MO-RO2

The **SLX-MO-RO1** and **SLX-MO-RO2** swivel mount sets are used for wall mounting of the SLC series (360° horizontal orientation possible).



SERIES SLD

MOUNTING ACCESSORIES



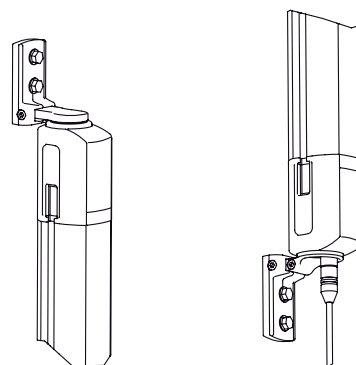
SLX-MO-RO-SET1



SLX-MO-RO-SET2

The swivel mount set **SLX-MO-RO-SET1** (**SLX-MO-RO-SET1S** with shock absorber) is used for wall mounting of Transmitter, Receiver and Transceiver from series SLD (240° horizontal adjustment possible).

The swivel mount set **SLX-MO-RO-SET2** (**SLX-MO-RO-SET2S** with shock absorber) is used for wall mounting of Mirror from series SLD (240° horizontal adjustment possible).



OVERVIEW OF DEVICES

Type	Description	Part no.	P.U.
SLX-MO-RO1	Rotative bracket 360°, 2 pcs., inkl. 1 pcs. SLC cylinder	R1.591.0006.0	1
SLX-MO-RO2	Rotative bracket 360°, 2 pcs., inkl. 1 pcs. SLC cylinder	R1.591.0020.0	1
SLX-MO-RO-SET1	Set with SLX-MO-RO-B + SLX-MO-RO-C + screws	R1.591.0011.0	1
SLX-MO-RO-SET2	Set with 2 x SLX-MO-RO-C + screws	R1.591.0012.0	1
SLX-MO-RO-SET1-S	Set with SLX-MO-RO-B, SLX-MO-RO-C + screws + shockabsorber	R1.591.0013.0	1
SLX-MO-RO-SET2-S	Set with 2 x SLX-MO-RO-C + screws + shockabsorber	R1.591.0014.0	1

SERIES SLC / SLD

MOUNTING ACCESSORIES



SLX-MO-L



SLX-MO-TNUT



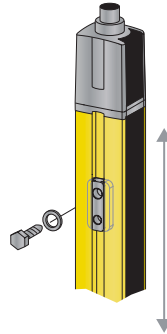
SLX-MO-Z



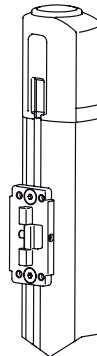
SLX-MO-CLIP

The **SLX-MO-TNUT** set including sliding blocks for mounting of series SLC/SLD.

The **SLX-MO-L** and **SLX-MO-Z** sets are used for wall mounting of series SLC/SLD in combination with sliding blocks SLX-MO-TNUT.



The **SLX-MO-CLIP** is used for fixed mounting of series SLC/SLD in device columns SLX-COL.



OVERVIEW OF DEVICES

Type	Description	Part no.	P.U.
SLX-MO-L	L-Bracket, 2 pcs.	R1.591.0004.0	1
SLX-MO-Z	Z-Bracket, 2 pcs.	R1.591.0005.0	1
SLX-MO-TNUTM6	Set slot nut with M6-screw thread, 10 pcs.	R1.591.0001.0	1
SLX-MO-CLIP	Clamp bracket, for installation in device column	R1.591.0009.0	1
SLX-MO-CLIP2	Set clamp bracket, for installation in device column, 2 pcs.	R1.591.0010.0	1

SERIES SLC / SLD

MOUNTING ACCESSORIES



SLX-CAB-M12

CONNECTION CABLES SLC/SLD

The connection cables **SLX-CAB-M12** (shielded and unshielded) are used for the electrical connection of series SLC/SLD by M12-connector (5- or 8-pole). For the connection of safety light grids SLD shielded cables are mandatory.

OVERVIEW OF DEVICES

Type	Description	Part no.	P.U.
SLX-CAB-M12-S0505	Connection cable M12, 5-pole, length 5m, shielded	R1.600.0505.0	1
SLX-CAB-M12-S0510	Connection cable M12, 5-pole, length 10m, shielded	R1.600.0510.0	1
SLX-CAB-M12-S0515	Connection cable M12, 5-pole, length 15m, shielded	R1.600.0515.0	1
SLX-CAB-M12-S0525	Connection cable M12, 5-pole, length 25m, shielded	R1.600.0525.0	1
SLX-CAB-M12-S0550	Connection cable M12, 5-pole, length 50m, shielded	R1.600.0550.0	1
SLX-CAB-M12-S0805	Connection cable M12, 8-pole, length 5m, shielded	R1.600.0805.0	1
SLX-CAB-M12-S0810	Connection cable M12, 8-pole, length 10m, shielded	R1.600.0810.0	1
SLX-CAB-M12-S0815	Connection cable M12, 8-pole, length 15m, shielded	R1.600.0815.0	1
SLX-CAB-M12-S0825	Connection cable M12, 8-pole, length 25m, shielded	R1.600.0825.0	1
SLX-CAB-M12-S0850	Connection cable M12, 8-pole, length 50m, shielded	R1.600.0850.0	1
SLX-CAB-M12-0505	Connection cable M12, 5-pole, length 5m, unshielded	R1.500.0505.0	1
SLX-CAB-M12-0510	Connection cable M12, 5-pole, length 10m, unshielded	R1.500.0510.0	1
SLX-CAB-M12-0515	Connection cable M12, 5-pole, length 15m, unshielded	R1.500.0515.0	1
SLX-CAB-M12-0525	Connection cable M12, 5-pole, length 25m, unshielded	R1.500.0525.0	1
SLX-CAB-M12-0550	Connection cable M12, 5-pole, length 50m, unshielded	R1.500.0550.0	1
SLX-CAB-M12-0805	Connection cable M12, 8-pole, length 5m, unshielded	R1.500.0805.0	1
SLX-CAB-M12-0810	Connection cable M12, 8-pole, length 10m, unshielded	R1.500.0810.0	1
SLX-CAB-M12-0815	Connection cable M12, 8-pole, length 15m, unshielded	R1.500.0815.0	1
SLX-CAB-M12-0825	Connection cable M12, 8-pole, length 25m, unshielded	R1.500.0825.0	1
SLX-CAB-M12-0850	Connection cable M12, 8-pole, length 50m, unshielded	R1.500.0850.0	1

SERIES SLC/SLD

REFLECTORS AND REFLECTOR COLUMNS



REFLECTORS AND REFLECTOR COLUMNS SLC

The reflectors **SLX-MIR** are used for the realization of two-side guarding's in combination with series SLC.

The reflector columns **SLX-COLM** are used for the realization of two-side guarding's in combination with free-standing columns SLX-COL and series SLC.

REFLECTOR COLUMNS SLD

The reflector columns **SLD-COLM** are used for the realization of two-side guarding's in combination with free-standing columns SLX-COL and series SLD.

OVERVIEW OF DEVICES

Type	Description	Part no.	P.U.
	Reflector column, persistant 1000 mm		
SLX-COLM-1000	Reflector column, persistant 1300 mm	R1.594.1000.0	1
SLX-COLM-1300	Reflector column, persistant 1600 mm	R1.594.1300.0	1
SLX-COLM-1600	Reflector column, persistant 1900 mm	R1.594.1600.0	1
SLX-COLM-1900	Reflector, length: 210 mm	R1.594.1900.0	1
SLX-MIR-0150	Reflector, length: 360 mm	R1.595.0150.0	1
SLX-MIR-0300	Reflector, length: 510 mm	R1.595.0300.0	1
SLX-MIR-0450	Reflector, length: 660 mm	R1.595.0450.0	1
SLX-MIR-0600	Reflector, length: 810 mm	R1.595.0600.0	1
SLX-MIR-0750	Reflector, length: 960 mm	R1.595.0750.0	1
SLX-MIR-0900	Reflector, length: 1110 mm	R1.595.0900.0	1
SLX-MIR-1050	Reflector, length: 1260 mm	R1.595.1050.0	1
SLX-MIR-1200	Reflector, length: 1410 mm	R1.595.1200.0	1
SLX-MIR-1350	Reflector, length: 1560 mm	R1.595.1350.0	1
SLX-MIR-1500	Reflector, length: 1710 mm	R1.595.1500.0	1
SLX-MIR-1650	Reflector, length: 1860 mm	R1.595.1650.0	1
SLX-MIR-1800	Bracket for SLX-MIR-reflector, 2 pcs.	R1.595.1800.0	1
SLX-MIR-FIX2	Reflector column, reflector distance: 500 mm; total heigth: 900 mm	R1.595.0002.0	1
SLD-COLM2-1060	Reflector column, reflector distance: 500 mm; total heigth: 1060 mm	R1.604.1060.0	1
SLD-COLM3-1360	Reflector column, reflector distance: 400 mm; total heigth: 1360 mm	R1.604.1363.0	1
SLD-COLM4-1360	Reflector column, reflector distance: 300 mm; total heigth: 1360 mm	R1.604.1364.0	1
SLD-MIR	Replacement reflector for SLD reflector columnn	R1.604.0001.0	1

SERIES SLC / SLD

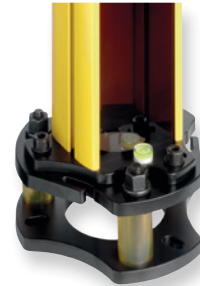
DEVICE COLUMNS



SLX-COL



The device columns **SLX-COL** are used for a free-standing installation of series SLC/SLD.



OVERVIEW OF DEVICES

Type	Description	Part no.	P.U.
SLX-COL-0900	Device column, profile height: 820 mm; total height: 900 mm	R1.593.0900.0	1
SLX-COL-1000	Device column, profile height: 980 mm; total height: 1060 mm	R1.593.1000.0	1
SLX-COL-1300	Device column, profile height: 1280 mm; total height: 1360 mm	R1.593.1300.0	1
SLX-COL-1600	Device column, profile height: 1580 mm; total height: 1660 mm	R1.593.1600.0	1
SLX-COL-1900	Device column, profile height: 1880 mm; total height: 1960 mm	R1.593.1900.0	1
SLX-COL-BASE	Replacement pedestal for columns with spring elements	R1.593.0001.0	1
SLX-COLP-0900	2 protective glasses for SLX-COL device column; length: 820 mm	R1.592.0900.0	1
SLX-COLP-1000	2 protective glasses for SLX-COL device column; length: 980 mm	R1.592.1000.0	1
SLX-COLP-1300	2 protective glasses for SLX-COL device column; length: 1280 mm	R1.592.1300.0	1
SLX-COLP-1600	2 protective glasses for SLX-COL device column; length: 1580 mm	R1.592.1600.0	1
SLX-COLP-1900	2 protective glasses for SLX-COL device column; length: 1880 mm	R1.592.1900.0	1

SERIES SLD / SLC

OTHER ACCESSORIES



SLX-ACC-LASER



SLX-ACC-LASERCOL

The external laser-alignment device **SLX-ACC-LASER** (for direct mounting on series SLX/SLD) and **SLX-ACC-LASERCOL** (for mounting on a device column SLX-COL) are used for the adjustment of the optical system of series SLC/SLD.



SLX-ACC-TEST

The test rods **SLX-ACC-TEST** are used for functional testing of protective areas realized by series SLC.

OVERVIEW OF DEVICES | PART NUMBERS

Type	Description	Part no.	P.U.
SLX-ACC-LASERCOL	External laser adjustment device, for fixing in device column	R1.596.0003.0	1
SLX-ACC-LASER	External laser adjustment device	R1.596.0002.0	1
SLX-ACC-TEST2040	Test bar, 20/40 mm	R1.596.2040.0	1
SLX-ACC-TEST1430	Test bar, 14/30 mm	R1.596.1430.0	1
SLX-ACC-MKEY	Magnet key for activation of laser adjustment device	R1.596.0001.0	1

SERIES SLC / SLD

MUTING ACCESSORIES



SLX-MUTC-SET2P

The Muting-Set **SLX-MUTC-SET2P** is used for realizing a 2-sensor cross muting e.g. in combination with device columns SLX-COL to be ordered separately or directly onto the SLD safety light grids.

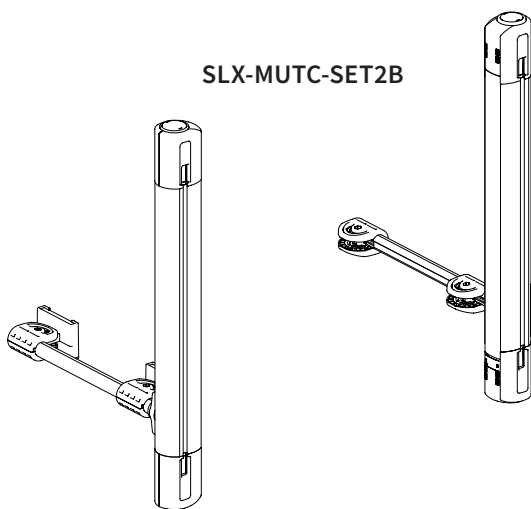
The Muting-Set **SLX-MUTC-SET4** (no figure) is used for realizing a 4-sensor-sequence-muting, e.g. in combination with device columns SLX-COL to be ordered separately or directly onto the SLD safety light grids.

The Muting-Set **SLX-MUTC-SET2B** (see figure below) is used for set-up a 2-sensor sequential muting system, e.g. in combination with the SLX-COL device columns to be ordered separately, or directly onto the SLD safety light grids.

OVERVIEW OF DEVICES

Type	Description	Part no.	P.U.
SLX-MUTC-SET2P	SLX-muting-sensor-set for 2-sensor-parallel-muting, incl. 2 sensor units, 2 reflector units, pre-assembled, distance 8 m, 2 m cable with plug M12	R1.597.0008.0	1
SLX-MUTC-SET4	SLX-muting-sensor-set for 4-sensor-sequential-muting, incl. 4 sensor units, 4 reflector units, pre-assembled, distance 8 m, 2 m cable with plug M12	R1.597.0007.0	1
SLX-MUTC-SET2B	SLX-muting-sensor-set for 2-sensor-sequential-muting, incl. 2 sensor units, 2 reflector units, pre-assembled, distance 8 m, 2 m cable with plug M12	R1.597.0006.0	1
SLX-MUT-REFLEX	Reflector	R1.597.0015.0	1
SLX-MUT-BOX4-BT	Sensor connector box for 4 muting sensors, with mounting plate	R1.597.0019.0	1
SLX-MUT-BOX4-BT-L	Sensor connector box for 4 muting sensors, with L-mounting bracket	R1.597.0021.0	1

Further muting accessories are available on request.



SLX-MUTC-SET2B

SLC/SLD SERIES

MUTING ACCESSORIES



OVERVIEW OF DEVICES

Type	Description	Part no.	P.U.
SLX-MUT-BOX2	SLD Professional sensor connection box for 2 muting sensors	R1.597.0017.0	1
SLX-ACC-CONF1	Display and acknowledgement unit	R1.596.0005.0	1

SERIES SNH

EMERGENCY STOP BUTTONS



APPLICATIONS

- Machine and plant manufacturing
- Logistics and automated guided vehicles

SAFETY LEVEL

- Up to PL e / Category 4 (EN ISO 13849-1)
- Up to SIL_{CL} 3 (EN 62061)

FEATURES

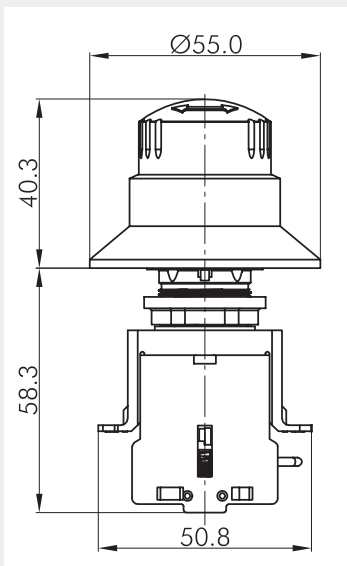
- For applications up to IP69K
- Tamper-proof according to EN 418/EN ISO 13850
- Modular design
- Turn-to-reset
- Integrated illumination (optional)
- Optical indication of the switching state

FUNCTION

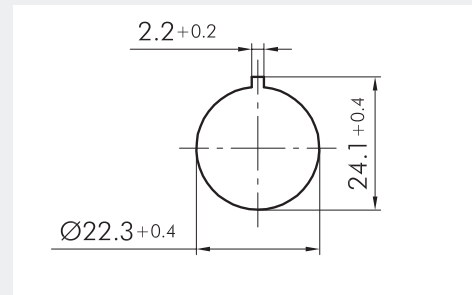
Emergency stop buttons of the SNH series are used on or near machines for the protection of persons. They serve the purpose of switching off / stopping machines and systems to avoid or reduce emerging or existing hazards to persons. Emergency stop buttons of the SNH series are also used to avoid damage to the machine or working material.

- **Modular design** – The emergency stop buttons of the SNH series have a modular design, various actuating elements can be freely combined with the chosen contact design.
- **Failure protection** – The emergency stop buttons of the SNH series have a special failure protection that automatically detects when a contact block is removed from the respective actuating element and then switches off safely.

DIMENSION DIAGRAM



CUT-OUT DIMENSIONS



SERIES SNH

EMERGENCY STOP BUTTONS

TECHNICAL DATA	
Function	
According to EN 418/EN ISO 13850	Emergency stop button
Actuator	
Housing material	Plastic
Protection degree	up to IP69
Operating ambient temperature	-30 – +70 °C (without illumination), -30 – +55 °C (with illumination)
Storage temperature	-50 – +85 °C
Switching cycles	> 50000
Max. torque	2.5 Nm
Installation diameter	22.3 mm
Contact blocks	
Contact type	NC contact NC contact with failure protection NO contact
Contact material	AgNi
Switching principle	Slow-action contact
Actuating travel	6 mm
Mechanical service life	1 x 10 ⁷ switching cycles
Electrical service life	1 x 10 ⁶ switching cycles
Application category	AC15 A600: 250 V, 3A DC13 Q600: 24 V, 2A
Protection class	II
Rated insulation voltage	600 V
Min. switching voltage	5 V
Min. switching current	1 mA
Thermal continuous current I _{th}	16 A
Max. through-type thermistor	20 mΩ
Max. bounce time	20 ms
Min. positive opening travel	3 mm
Operating ambient temperature	-30 – +85 °C
Storage temperature	-50 – +85 °C
Connection technology	Screw connection
Conductor cross-section	Max. 2,5 mm ²
Standards	EN 418 /EN ISO 13850
Approvals	TÜV, cULus
Safety related data	
B _{10D} (at DC -13; 24 V; I _{e2} = 0.1 A)	250.000 (SNH 0043 + SNH 1143: > 104.000)

SNH – EMERGENCY STOP BUTTONS

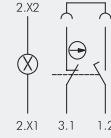
CONTACT BLOCKS



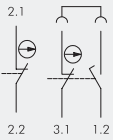
SNH 0001



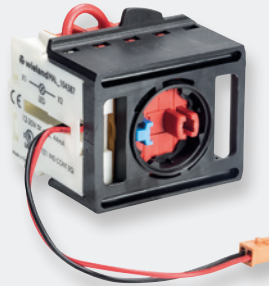
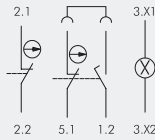
SNH 0002



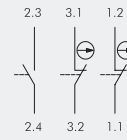
SNH 0003



SNH 0022



SNH 0023



SNH 0031

ACTUATING ELEMENTS



SNH 0100



SNH 0200



SNH 0300

(up to IP 69K)



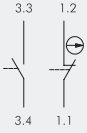
SNH 0500

SNH 0400 (WITH ILLUMINATION)

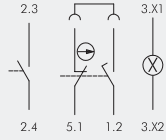


SNH – SAFE.

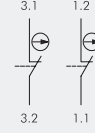
SNH – EMERGENCY STOP BUTTONS



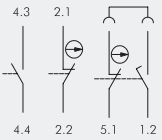
SNH 0011



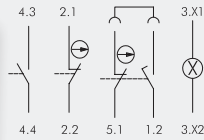
SNH 0013



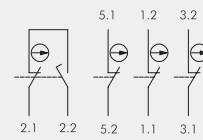
SNH 0021



SNH 0032



SNH 0033



SNH 0043



SNH 0600



SNH 0700

HOUSING



SNH 6001



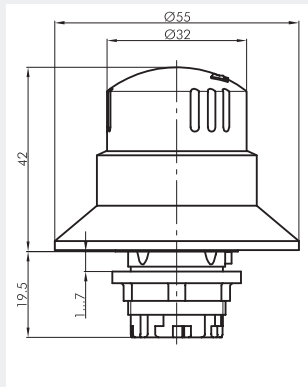
SIMPLE. MODULAR.

SERIES SNH

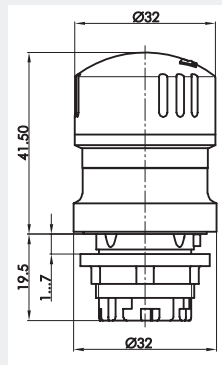
EMERGENCY STOP BUTTONS

DIMENSION DIAGRAM

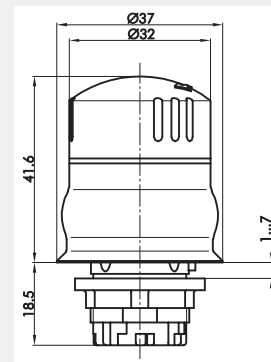
ACTUATING ELEMENTS



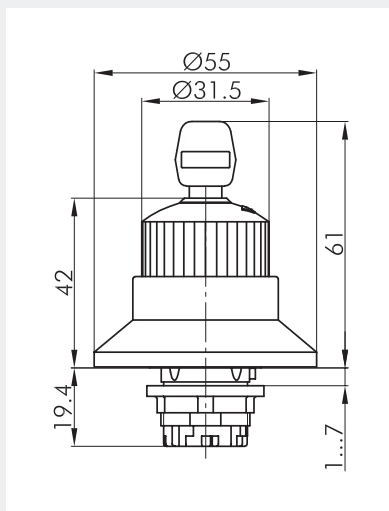
SNH 0100
SNH 0400



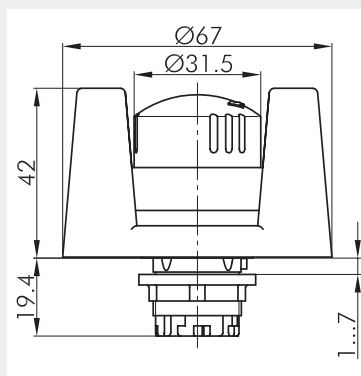
SNH 0200



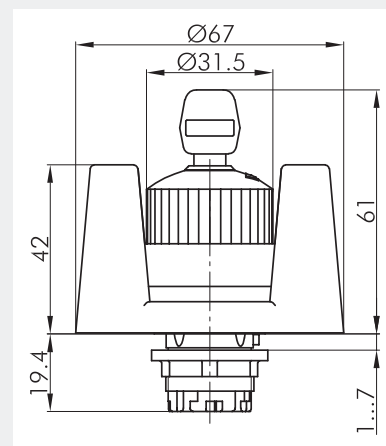
SNH 0300



SNH 0500

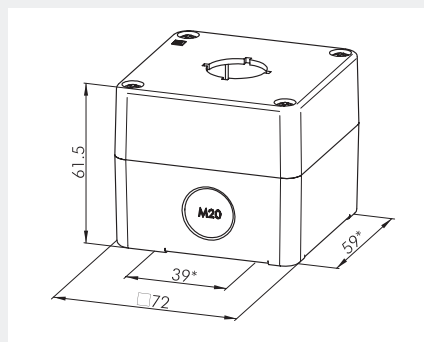


SNH 0600



SNH 0700

HOUSING



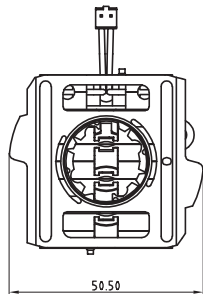
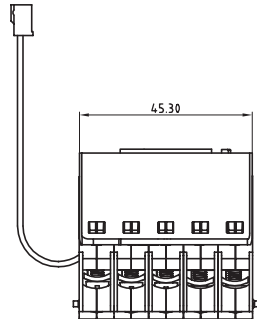
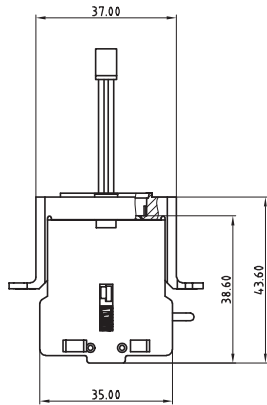
SNH 6001

SERIES SNH

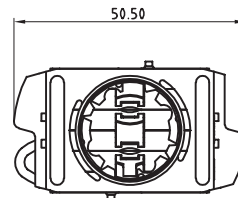
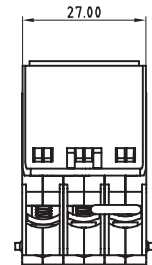
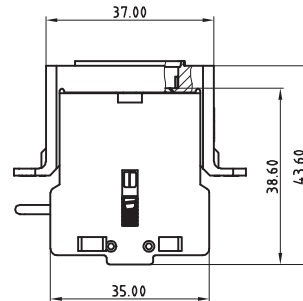
EMERGENCY STOP BUTTONS

DIMENSION DIAGRAM

CONTACT BLOCKS



SNH 0013
SNH 0023
SNH 0032
SNH 0033
SNH 0043



SNH 0001
SNH 0002
SNH 0003
SNH 0031
SNH 0011
SNH 0021
SNH 0022

OVERVIEW OF DEVICES

Type	Description	Part no.	P.U.
SNH 0001	Contact block, 1 NC	R1.200.0001.0	1
SNH 0002	Contact block, 1 NC (failure protection)	R1.200.0002.0	1
SNH 0003	Contact block, 1 NC (failure protection) / illumination	R1.200.0003.0	1
SNH 0011	Contact block, 1 NC / 1 NO	R1.200.0011.0	1
SNH 0013	Contact block, 1 NC (failure protection) / 1 NO / illumination	R1.200.0013.0	1
SNH 0021	Contact block, 2 NC	R1.200.0021.0	1
SNH 0022	Contact block, 2 NC (failure protection)	R1.200.0022.0	1
SNH 0023	Contact block, 2 NC (failure protection) / illumination	R1.200.0023.0	1
SNH 0031	Contact block, 2 NC / 1 NO	R1.200.0031.0	1
SNH 0032	Contact block, 2 NC (failure protection) / 1 NO	R1.200.0032.0	1
SNH 0033	Contact block, 2 NC (failure protection) / 1 NO / illumination	R1.200.0033.0	1
SNH 0043	Contact block, 4 NC (failure protection)	R1.200.0043.0	1
SNH 0200	Actuator (with actuation indication)	R1.200.0200.0	1
SNH 0300	Actuator IP69 (without actuation indication)	R1.200.0300.0	1
SNH 0100	Actuator (with actuation indication)	R1.200.0100.0	1
SNH 0400	Actuator (with actuation indication + illumination)	R1.200.0400.0	1
SNH 0500	Actuator (with actuation indication + key release)	R1.200.0500.0	1
SNH 0600	Actuator (with actuation indication + protective collar)	R1.200.0600.0	1
SNH 0700	Actuator (with actuation indication, protective collar and key release)	R1.200.0700.0	1
SNH 1101	Emergency stop button (SNH 0100, 1 NC)	R1.200.1101.0	1
SNH 1102	Emergency stop button (SNH 0100, 1 NC (failure protection))	R1.200.1102.0	1
SNH 1111	Emergency stop button (SNH 0100, 1 NC / 1 NO)	R1.200.1111.0	1
SNH 1121	Emergency stop button (SNH 0100, 2 NC)	R1.200.1121.0	1
SNH 1122	Emergency stop button (SNH 0100, 2 NC (failure protection))	R1.200.1122.0	1
SNH 1131	Emergency stop button (SNH 0100, 2 NC / 1 NO)	R1.200.1131.0	1
SNH 1132	Emergency stop button (SNH 0100, 2 NC (failure protection) / 1 NO)	R1.200.1132.0	1
SNH 1143	Emergency stop button (SNH 0100, 4 NC (failure protection))	R1.200.1143.0	1
SNH 6001	Housing IP67	R1.200.6001.0	1
SNH 6010	Emergency stop adhesive plate	R1.200.6010.0	10

SERIES SNH

EMERGENCY STOP BUTTONS M12



APPLICATIONS

- Mechanical engineering and plant construction
- Logistics and automated guided vehicles

SAFETY LEVEL

- Up to PL e / Category 4 (EN ISO 13849-1)
- Up to SIL_{CL} 3 (EN 62061)

FEATURES

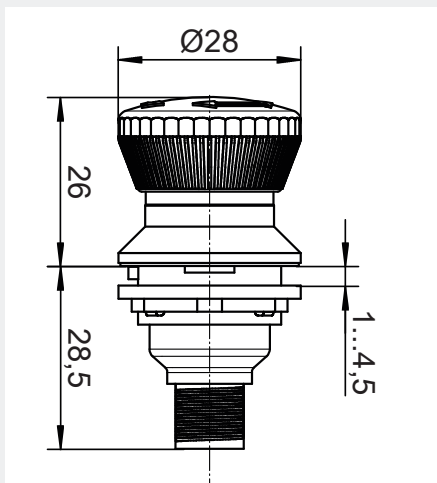
- Use up to IP67
- Tamper-proof according to EN 418/EN ISO 13850
- Rotary release
- Optical display of the switching status
- M12 connection, 5-pole A-coded

FUNCTION

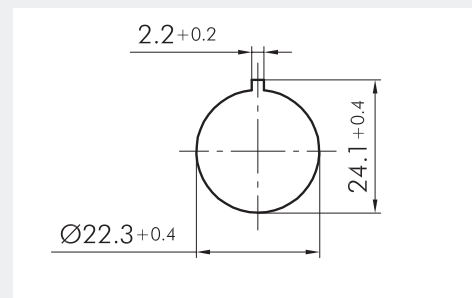
Emergency stop buttons M12 of the SNH series are used for the protection of persons at or near machines. They are used to shut down / stop machines and systems in order to avoid or reduce emerging or existing hazards to persons. M12 emergency stop buttons of the SNH series are also used to prevent damage to the machine or working material.

- **Plug and Play** – M12 emergency stop buttons of the SNH series are pre-assembled variants for quick and easy installation. The 5-pole M12 connection reduces the cabling effort and thus the probability of wiring errors.
- **Flexible use** – The emergency stop buttons of the SNH series have a special failure protection that automatically detects when a contact block is removed from the respective actuating element and then switches off safely.

DIMENSIONS DIAGRAMM SNH 2402 M12



CUT-OUT DIMENSIONS



SERIES SNH

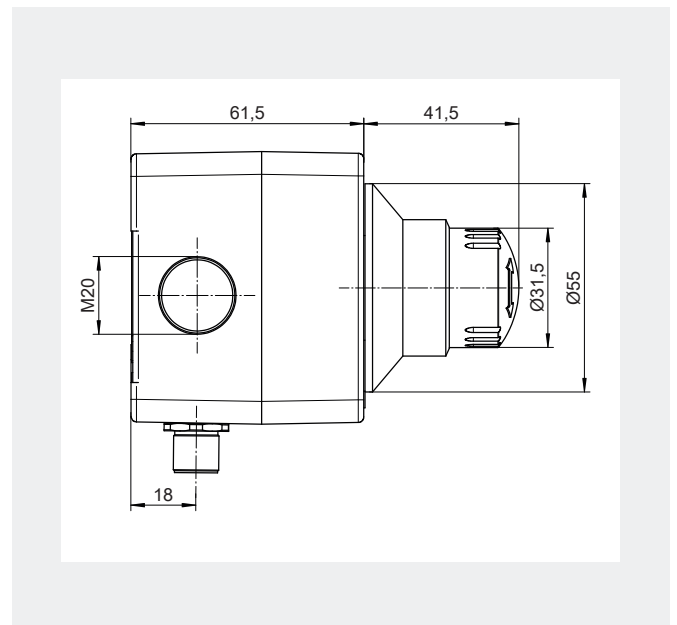
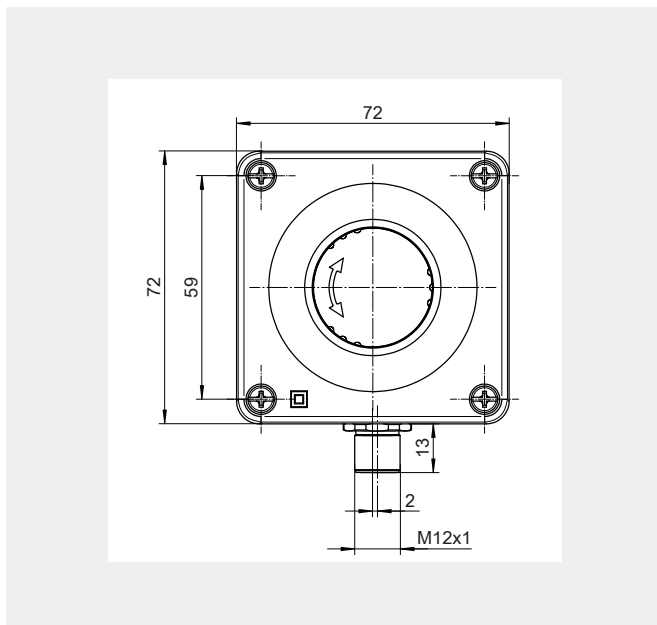
EMERGENCY STOP BUTTONS M12

TECHNICAL DATA		
Type	SNH 1102 M12	SNH 2402 M12
Function	Emergency stop button	
According to EN 418/EN ISO 13850	Emergency stop button	
Actuator		
Housing material	Plastic	
Protection degree	IP65/IP67 (from front) IP65/IP67 (from behind, with M12 connector connected)	IP65
Operating ambient temperature	-25°C – +70°C	-25°C – +60°C
Storage temperature	-40°C – +80°C	-25°C – +85°C
Max. torque	1.0 Nm ... 1.7 Nm	-
Installation diameter	22.3 mm	-
Contact blocks		
Contact type	Opener	
Contact material	AgNi	
Mechanical service life	50,000 switching cycles	
Electrical service life	50,000 switching cycles	
Application category	AC15: U _e 250 V; U _e 35 V; I _e 2 A DC13: U _e 250 V; U _e 35 V; I _e 2 A	DC13: U _e 60/24 V, I _e 1/2 A
Thermal continuous current I _{th}	2 A	4 A
Max. through-type thermistor	50 mΩ	30 mΩ
Max. bounce time	10 ms	9 ms
Connection technology	M12 connector (A-coded)	
Approvals	CE, TÜV, cURus, UKCA	
Safety related data		
B _{10D}	226.000	250.000

OVERVIEW OF DEVICES

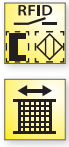
Type	Description	Part no.	P.U.
SNH 1102 M12	Emergency stop button, complete device, over-list safe with integrated M12 connector, 5-pole. A-coded, AIDA, rotary release left/right, switch position indicator, contact configuration 2 O, IP65/IP67	R1.210.1102.0	1
SNH 2402 M12	Emergency stop set, complete device in housing, fail-safe with integrated M12 connector, 5-pole. A-coded, AIDA, rotary release left/right, switch position indicator, contact configuration 2 O, IP65	R1.210.2402.0	1

DIMENSIONS DIAGRAMM SNH 2402 M12



SERIES STS

NON-CONTACT SAFETY SWITCHES WITH CODING



STS 01XX



APPLICATIONS

- Protection of people or machines
- Position monitoring of machine parts
- Position monitoring of doors and switches of isolating protective devices

SAFETY LEVEL

- Up to PL e / category 4 (EN ISO 13849-1)
- Up to SIL_{CL} 3 (EN 62061)

FEATURES

- Individual coding for maximum manipulation protection
- Up to 30 sensors can be cascaded
- Automatic or manual start
- LED and semiconductor output for diagnostics
- Switching distance of 8 mm / 10 mm
- Protection class IP67 / IP69K

FUNCTION

The non-contact safety switches from the STS series are used for monitoring the position of machine parts and the position of doors and switches of isolating protective devices.

The STS series features integrated evaluation and built-in manipulation protection.

In the event of a hazard, access is approved or the machine is shut down, for example, by a device from the **safe**RELAY series or the **samos**[®] / **samos**[®]PRO safety system or by the safety switch directly.

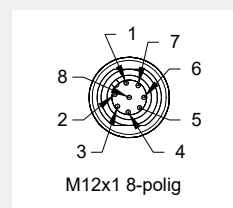
Safety switches from the STS series are also able to switch larger loads without wear via safe outputs (OSSDs).

CONNECTION ASSIGNMENT STS WITH CABLE CONNECTION

Function	Colour
UB	BN
Safety input 1	WH
GND	BU
Safety output 1	BK
Diagnostic output	GY
Safety input 2	PK
Safety output 2	VT
EDM-start input	OG

CONNECTION ASSIGNMENT STS WITH CONNECTION M12

Function	PIN
UB	1
Safety input 1	2
GND	3
Safety output 1	4
Diagnostic output	5
Safety input 2	6
Safety output 2	7
EDM-start input	8



SERIES STS

NON-CONTACT SAFETY SWITCHES WITH CODING

TAILOR-MADE MANIPULATION PROTECTION

Different applications require different solutions when it comes to existing manipulation protection.

Safety switches from the STS series have 3 different coding variations, which means that they can always offer the right solution.

Coded:

The safety switch accepts every STS actuator.

Fully coded:

The safety switch only accepts the programmed-in STS actuator.

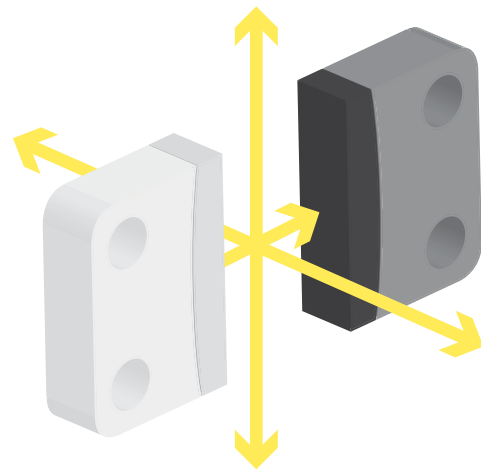
Unique:

The safety switch only accepts STS actuator delivered with it. An STS actuator cannot be programmed in.

DIVERSE INSTALLATION

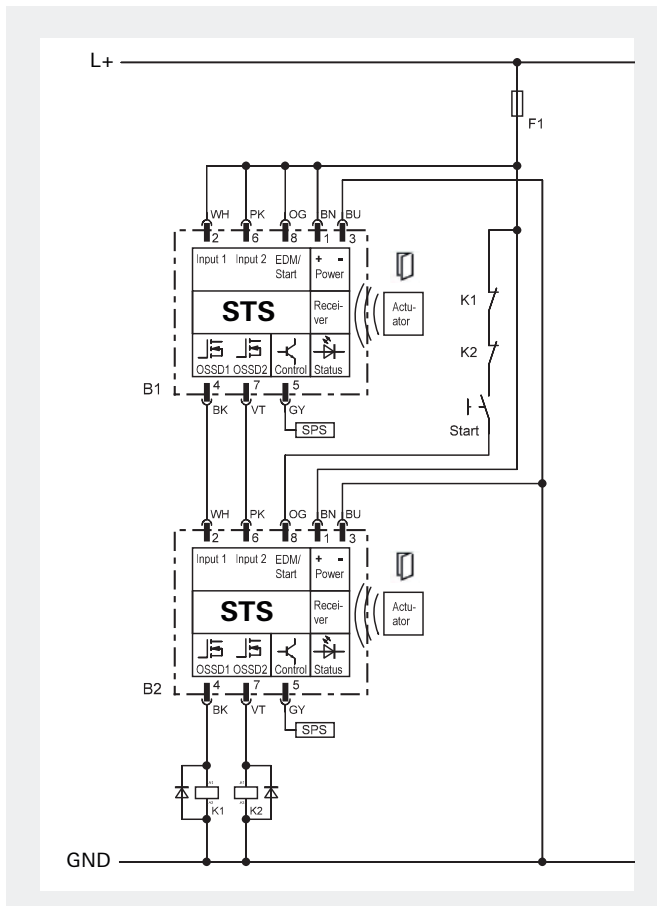
The 5 actuation directions of the STS series and the maximum displacement between the actuator and switch element of 8 mm make installation easy even when the protective device to be monitored has large mechanical tolerances.

The resulting advantage is that it can be used universally on removable, rotatable, or sideways-moving protective devices.

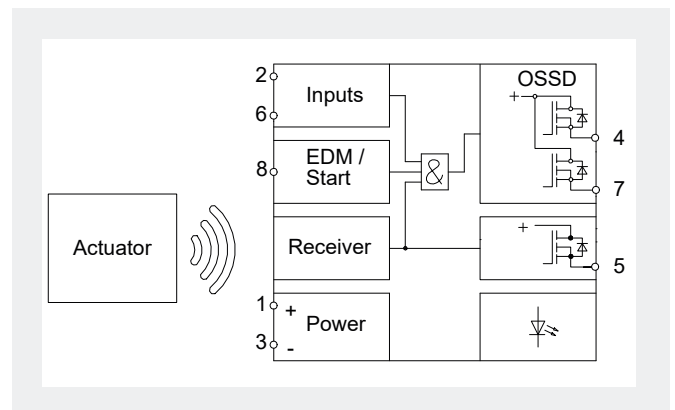


5 different actuation directions for universal use

APPLICATION



CIRCUIT DIAGRAM

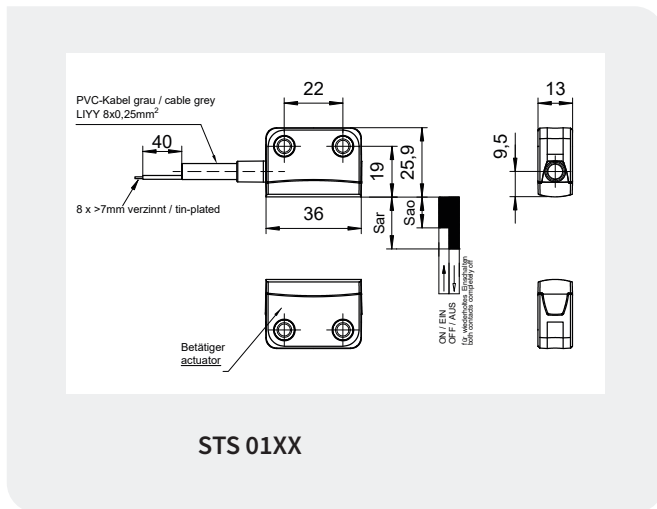


Serial wiring of 2 safety switches STS with manual start and EDM

SERIES STS

NON-CONTACT SAFETY SWITCHES WITH CODING

CIRCUIT DIAGRAM / SWITCHING FUNCTION



TECHNICAL DATA

Function Non-contact safety switch

Function display LED, three-colored

Supply circuit

Nominal voltage U_N 24 V DC

Operating voltage range U_B 0.9 - 1.1 x U_N

Galvanic isolation supply circuit - output circuit no

Control circuits

Number of safety inputs 2

EDM/start input 1

Input current, max. 2 mA

Output circuits

Number OSSD 2

Diagnostics 1

Short-circuit and cross-circuit detection yes

Switching current, max. OSSD 400 mA

Diagnostics 50 mA

Switching voltage, max. $U_B - 0.2 V$

Series connection max. 30 sensors

Switching behavior

Switching distance / (S_{ao} / S_{ar}) 8 mm / 18 mm

Hysteresis 2 mm

Actuator displacement, max. 8 mm

Switching frequency 3 Hz

General data

Creepage distances and clearances between the circuits EN 60664-1

Protection class as per EN 60529 IP67

Operating ambient temperature -25 °C - +70 °C

Connection M12 (8 pole) / cable (8 pole)

Standards EN ISO 13849-1, EN 62061

Certificates / Approvals TÜV, cULus

Storage temperature -25 °C - +70 °C

Safety related data

PL (EN ISO 13849-1) up to PL e

Category (EN ISO 13849-1) up to category 4

SIL (IEC 61508) up to SIL 3

SIL_{CL} (EN IEC 62061) up to SIL_{CL} 3

B_{10D} NA

PFH_D (EN IEC 61508-1) 2.24×10^{-9} 1/h

T_M 20 years

SERIES STS

NON-CONTACT SAFETY SWITCHES WITH CODING

OVERVIEW OF DEVICES

Type	Description	Coding	Part no.	P.U.
STS 0110	Switch-set, automatic start, connection M12-8	coded	R1.400.0110.0	1
STS 0113	Switch-set, automatic start, connection cable 3m	coded	R1.400.0113.0	1
STS 0114	Switch-set, automatic start, connection cable 5m	coded	R1.400.0114.0	1
STS 0116	Switch-set, automatic start, connection cable 10m	coded	R1.400.0116.0	1
STS 0130	Switch-set, automatic start, connection M12-8	fully-coded	R1.400.0130.0	1
STS 0133	Switch-set, automatic start, connection cable 3m	fully-coded	R1.400.0133.0	1
STS 0134	Switch-set, automatic start, connection cable 5m	fully-coded	R1.400.0134.0	1
STS 0136	Switch-set, automatic start, connection cable 10m	fully-coded	R1.400.0136.0	1
STS 0150	Switch-set, automatic start, connection M12-8	unique	R1.400.0150.0	1
STS 0153	Switch-set, automatic start, connection cable 3m	unique	R1.400.0153.0	1
STS 0154	Switch-set, automatic start, connection cable 5m	unique	R1.400.0154.0	1
STS 0156	Switch-set, automatic start, connection cable 10m	unique	R1.400.0156.0	1
STS 0120	Switch-set, manual start, connection M12-8	coded	R1.400.0120.0	1
STS 0123	Switch-set, manual start, connection cable 3m	coded	R1.400.0123.0	1
STS 0124	Switch-set, manual start, connection cable 5m	coded	R1.400.0124.0	1
STS 0126	Switch-set, manual start, connection cable 10m	coded	R1.400.0126.0	1
STS 0140	Switch-set, manual start, connection M12-8	fully-coded	R1.400.0140.0	1
STS 0143	Switch-set, manual start, connection cable 3m	fully-coded	R1.400.0143.0	1
STS 0144	Switch-set, manual start, connection cable 5m	fully-coded	R1.400.0144.0	1
STS 0146	Switch-set, manual start, connection cable 10m	fully-coded	R1.400.0146.0	1
STS 0160	Switch-set, manual start, connection M12-8	unique	R1.400.0160.0	1
STS 0163	Switch-set, manual start, connection cable 3m	unique	R1.400.0163.0	1
STS 0164	Switch-set, manual start, connection cable 5m	unique	R1.400.0164.0	1
STS 0166	Switch-set, manual start, connection cable 10m	unique	R1.400.0166.0	1
STS 3110	Actuator for STS 011x, 012x, 013x, 014x		R1.400.3110.0	1

SERIES STS

ACCESSORIES



STS-CON-448

T-Connector for serial wiring of STS-switches



STS-CON-TER

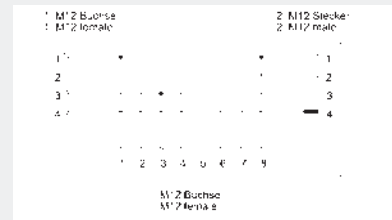
Terminal-connector of the serial wiring



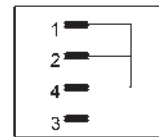
STS-CON-488

T-Connector for the extraction of the diagnostic output or coupling a restart signal into the switch (optional)

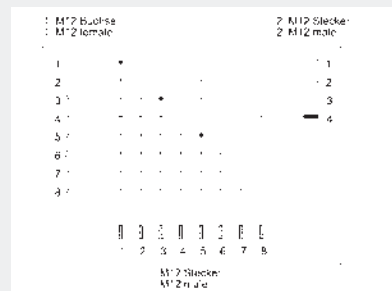
DIMENSIONS DIAGRAMM



STS-CON-448



STS-CON-TER



STS-CON-488

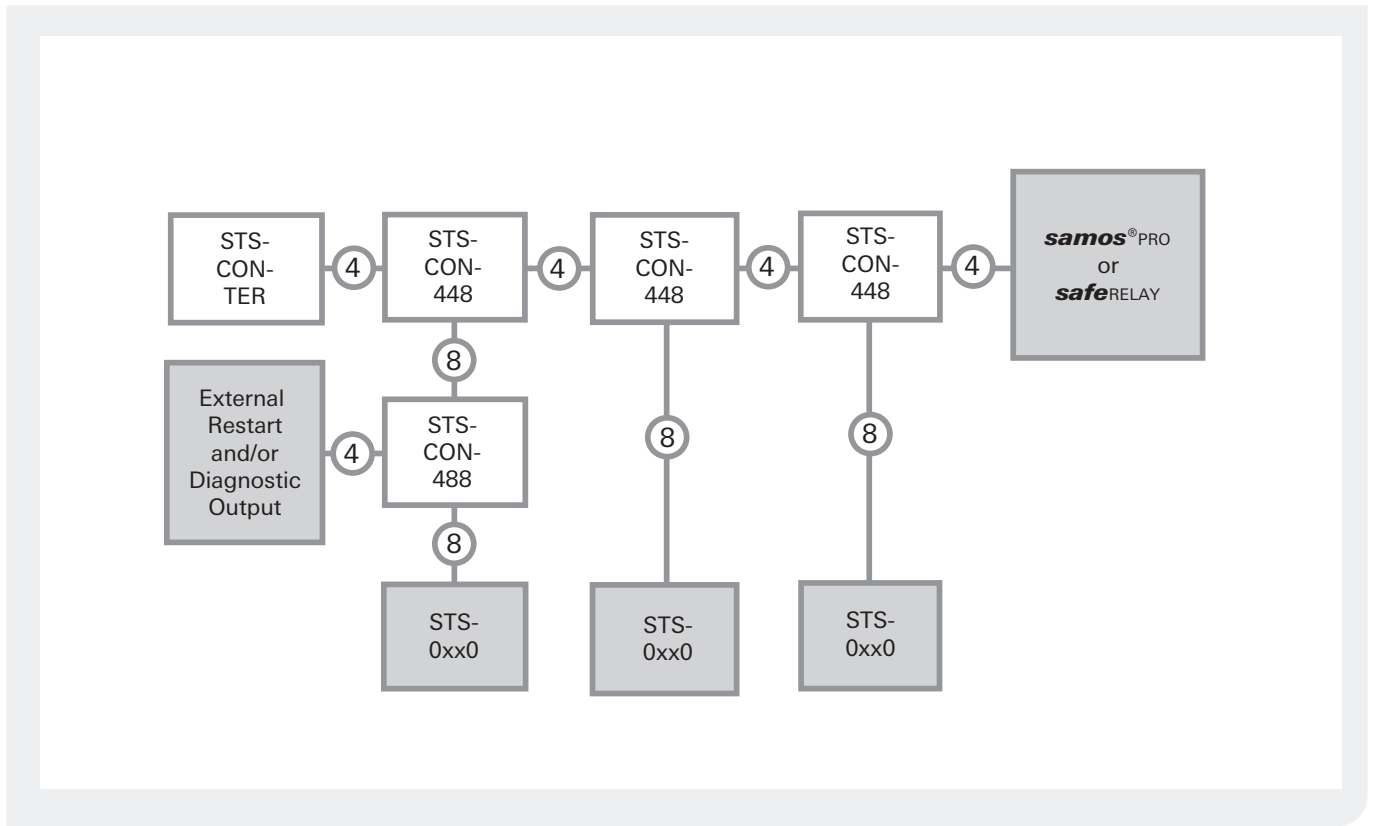
OVERVIEW OF DEVICES

Type	Description	Part no.	P.U.
STS-CON-448	STS connector, M12-4-4-8	R1.400.9448.0	1
STS-CON-488	STS connector, M12-4-8-8	R1.400.9488.0	1
STS-CON-TER	STS connector, M12 terminal	R1.400.9000.0	1

SERIES STS

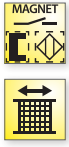
ACCESSORIES

APPLICATION



SERIES SMA

MAGNETIC SAFETY SWITCHES



SMA 01XX



APPLICATIONS

- Machine and plant manufacturing
- Packing machines
- Wood-processing machines

SAFETY LEVEL

- Can be used up to PL e / Category 4 (EN ISO 13849-1)

FEATURES

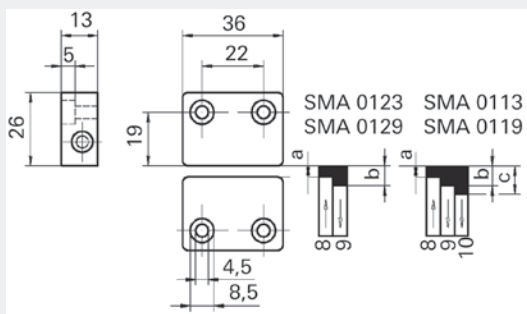
- Block-shaped design
- For harsh operating conditions
- Tamper proof
- Degree of Protection IP67

TECHNICAL DATA

Set	SMA 011x	SMA 012x
Dimensions / mm (L x W x H)	36 x 26 x 13 mm	
Actuating distance / (Sao / Sar)	8 / 17 mm	
Directions of actuation	Front - Front / Front - Side / Side - Side	
Protection degree	IP67	
Contact type	Reed	
Contact assignment	NC / NO	NO / NO
Switching current	0.2 A	
Maximum cable length	20 m	
Connection type or cable length see device overview		
Operating voltage	max. 30 V DC	
Operating ambient temperature	-25 °C - +75 °C	
Storage temperature	-40 °C - +80 °C	
Safety related data		
PL (EN ISO 13849-1)	up to PL e	
Category (EN ISO 13849-1)	up to category 4	
SIL (IEC 61508)	up to SIL 3	
SIL _{CL} (EN IEC 62061)	up to SIL _{CL} 3	
B _{10D} (EN ISO 13849-1; < 20% contact load)	20,000,000	
PFH _b (EN IEC 61508-1)	NA	
T _M	20 years	

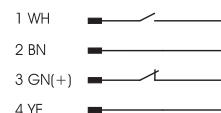
DIMENSION DIAGRAM / SWITCHING FUNCTION

SMA 011X / SMA 012X

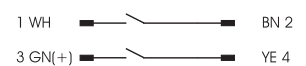


CIRCUIT DIAGRAM

SMA 011X



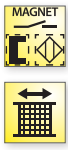
SMA 012X



Contacts are shown in non-operated state (magnet is out of actuating distance Sar)

SERIES SMA

MAGNETIC SAFETY SWITCHES



SMA 02XX
SMA 06XX



APPLICATIONS

- Machine and plant manufacturing
- Packing machines
- Wood-processing machines

SAFETY LEVEL

- Can be used up to PL e / Category 4 (EN ISO 13849-1)

FEATURES

- Rectangle-shaped design
- For harsh operating conditions
- Tamper proof
- Degree of Protection IP67

TECHNICAL DATA

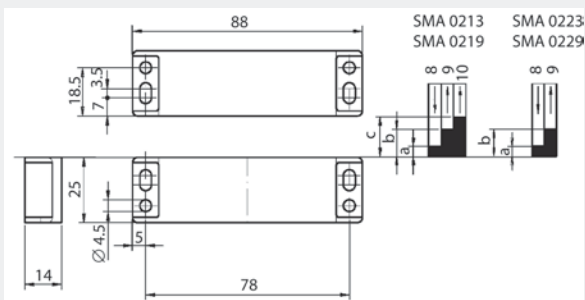
Set	SMA 021x	SMA 022x	SMA 023x	SMA 024x	SMA 061x	SMA 062x
Dimensions / mm (L x W x H)	88 x 25 x 14 mm					
Actuating distance / (Sao / Sar)	7 / 17 mm	7 / 18 mm	7 / 22 mm	7 / 22 mm	4 / 16 mm	4 / 17 mm
Directions of actuation	Front - Front / Front - Side / Side - Side					
Protection degree	IP67					
Contact type	Reed					
Contact assignment	NC / NO	NO / NO	NO / NO / NC	NO / NO / NC	NC / NO	NO / NO
Switching current	max. 0.2 A	max. 0.2 A	max. 0.2 A	max. 0.01 A	max. 0.2 A	max. 0.2 A
Maximum cable length	20 m					
Connection type or cable length	see device overview					
Operating voltage	max. 30 V DC				max. 28.8 V DC	
Operating ambient temperature	-25 °C - +70 °C					
Storage temperature	-40 °C - +80 °C					

Safety related data

PL (EN ISO 13849-1)	up to PL e
Category (EN ISO 13849-1)	up to category 4
SIL (IEC 61508)	up to SIL 3
SIL _{CL} (EN IEC 62061)	up to SIL _{CL} 3
B _{10D} (EN ISO 13849-1; < 20% contact load)	20,000,000
PFH _b (EN IEC 61508-1)	NA
T _M	20 years

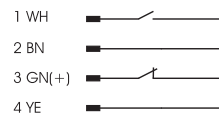
DIMENSION DIAGRAM / SWITCHING FUNCTION

SMA 021X / SMA 022X / SMA 023X / SMA 024X / SMA 061X / SMA 062X

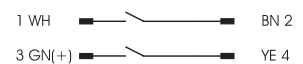


CIRCUIT DIAGRAM

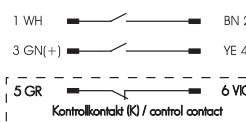
SMA 021X / SMA 0219



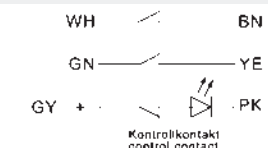
SMA 022X / SMA 0229



SMA 023X



SMA 024X (WITH LED)



Contacts are shown in non-operated state (magnet is out of actuating distance Sar)

SERIES SMA

MAGNETIC SAFETY SWITCHES



SMA 03XX



APPLICATIONS

- Machine and plant manufacturing
- Packing machines
- Wood-processing machines

SAFETY LEVEL

- Can be used up to PL e / Category 4 (EN ISO 13849-1)

FEATURES

- Round-shaped design
- For harsh operating conditions
- Tamper proof
- Degree of Protection IP67

TECHNICAL DATA

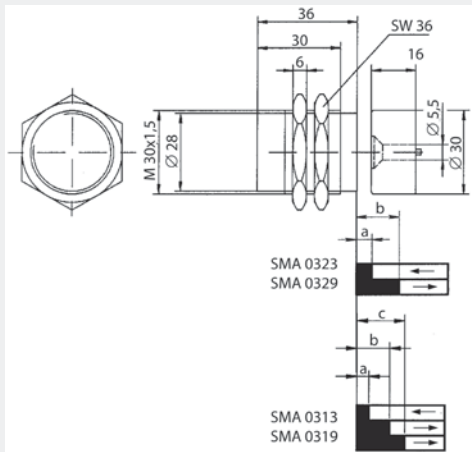
Set	SMA 031x	SMA 032x
Dimensions / mm (Ø x L)	M30 x 32 mm	
Actuating distance / (Sao / Sar)	7 / 20 mm	
Directions of actuation	Front - Front	
Protection degree	IP67	
Contact type	Reed	
Contact assignment	NC / NO	NO / NO
Switching current	0.2 A	
Maximum cable length	20 m	
Operating voltage	max. 30 V DC	
Operating ambient temperature	-25 °C - +75 °C	
Storage temperature	-40 °C - +80 °C	

Safety related data

PL (EN ISO 13849-1)	up to PL e
Category (EN ISO 13849-1)	up to category 4
SIL (IEC 61508)	up to SIL 3
SIL _{CL} (EN IEC 62061)	up to SIL _{CL} 3
B _{10D} (EN ISO 13849-1; < 20% contact load)	20,000,000
PFH _D (EN IEC 61508-1)	NA
T _M	20 years

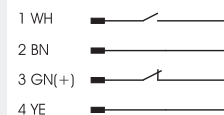
DIMENSION DIAGRAM / SWITCHING FUNCTION

SMA 031X / SMA 032X

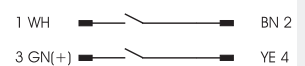


CIRCUIT DIAGRAM

SMA 031X



SMA 032X



Contacts are shown in non-operated state (magnet is out of actuating distance Sar)

SERIES SMA

MAGNETIC SAFETY SWITCHES

OVERVIEW OF DEVICES

Type	Description	Contact	Part no.	P.U.
SMA 0113	Switch-set with cable 3 m + magnet	NC / NO	R1.100.0113.0	1
SMA 0123	Switch-set with cable 3 m + magnet	NO / NO	R1.100.0123.0	1
SMA 0119	Switch-set mit with M8 connection + magnet	NC / NO	R1.100.0119.0	1
SMA 0129	Switch-set mit with M8 connection + magnet	NO / NO	R1.100.0129.0	1
SMA 0213	Switch-set with cable 3 m + magnet	NC / NO	R1.100.0213.0	1
SMA 0223	Switch-set with cable 3 m + magnet	NO / NO	R1.100.0223.0	1
SMA 0224	Switch-set with cable 5 m + magnet	NO / NO	R1.100.0224.0	1
SMA 0226	Switch-set with cable 10 m + magnet	NO / NO	R1.100.0226.0	1
SMA 0228	Switch-set with cable 20 m + magnet	NO / NO	R1.100.0228.0	1
SMA 0233	Switch-set with cable 3 m + magnet	NO / NO / NC	R1.100.0233.0	1
SMA 0243	Switch-set with cable 3 m, LED + magnet	NO / NO / NC	R1.100.0243.0	1
SMA 0249	Switch-set with M12 connection, LED + magnet	NO / NO / NC	R1.100.0249.0	1
SMA 0219	Switch-set with M8 connection + magnet	NC / NO	R1.100.0219.0	1
SMA 0229	Switch-set with M8 connection + magnet	NO / NO	R1.100.0229.0	1
SMA 0313	Switch-set with cable 3 m + magnet	NC / NO	R1.100.0313.0	1
SMA 0320	Switch-set with M8 pigtail + magnet	NO / NO	R1.100.0320.0	1
SMA 0323	Switch-set with cable 3 m + magnet	NO / NO	R1.100.0323.0	1
SMA 0324	Switch-set with cable 5 m + magnet	NO / NO	R1.100.0324.0	1
SMA 0319	Switch-set with M8 connection + magnet	NC / NO	R1.100.0319.0	1
SMA 0329	Switch-set with M8 connection + magnet	NO / NO	R1.100.0329.0	1
SMA 0613	Switch-set with cable 3 m + magnet	NC / NO	R1.100.0613.0	1
SMA 0623	Switch-set with cable 3 m + magnet	NO / NO	R1.100.0623.0	1
SMA 0626	Switch-set with cable 10 m + magnet	NO / NO	R1.100.0626.0	1
SMA 0619	Switch-set with M8 + magnet	NC / NO	R1.100.0619.0	1
SMA 0629	Switch-set with M8 + magnet	NO / NO	R1.100.0629.0	1

SERIE SMA

ACCESSORIES

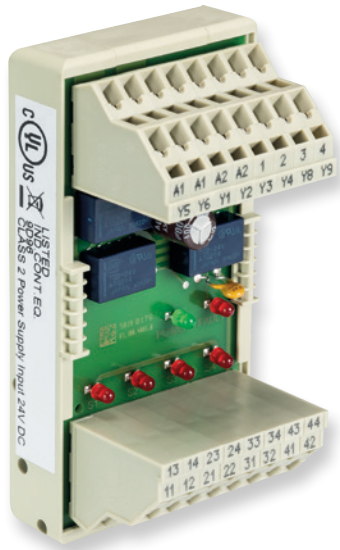
OVERVIEW OF DEVICES

Type	Description	Contact	Part no.	P.U.
SMA 3110	Magnet (NC / NO) for SMA 011x		R1.100.3110.0	5
SMA 3120	Magnet (NO / NO) for SMA 012x		R1.100.3120.0	5
SMA 3200	Magnet for SMA 02xx		R1.100.3200.0	5
SMA 3300	Magnet for SMA 03xx		R1.100.3300.0	5
SMA 4100	Washer for SMA 01xx		R1.100.4100.0	10
SMA 4200	Washer for SMA 02xx / SMA 06xx		R1.100.4200.0	10
SMA 5004	Cable, 5 m		R1.100.5004.0	1
SMA 5005	Cable, 10 m		R1.100.5005.0	1
SMA 5008	Cable, 15 m		R1.100.5008.0	1

Note: Suitable M12 cables (SLX-CAB) can be selected on P. 88

SMI 1001

MAGNETIC SWITCH INTERFACE



FUNCTION

The SMI 1001 connects safety switches / position switches in series. Several safety switches or position switches can be connected to safe RELAY safety switching devices or to samos® and samos®PRO safety systems and evaluated.

APPLICATIONS

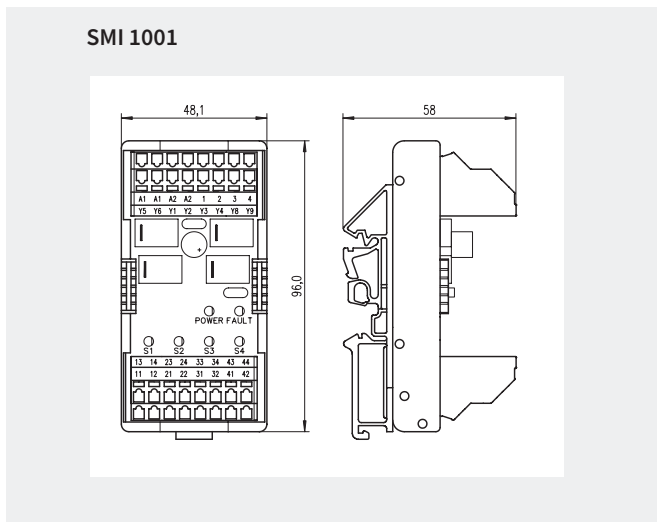
- Connecting in series of two-channel sensors with contact assignment NO/NO up to PL d / Kategorie 3 (EN ISO 13849-1)

FEATURES

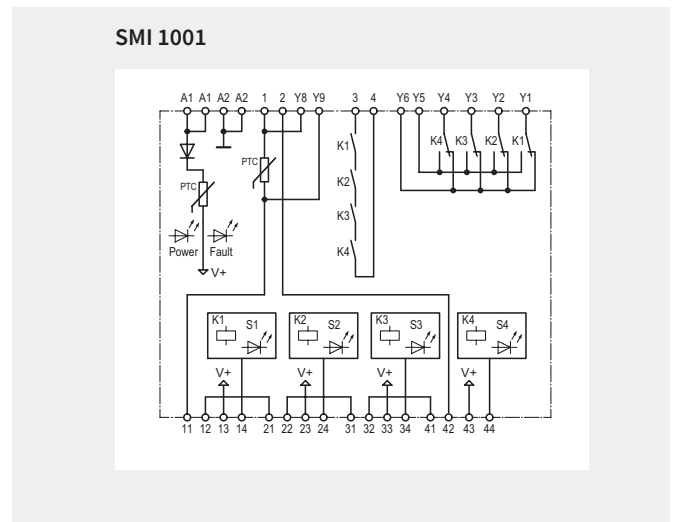
- Control via a maximum of 4 two-channel sensors
- Signal output for each sensor
- Optical indication of the switching state of each sensor

The SMI 1001 features status displays for the switching state of the NO circuits of the connected sensors as well as four diagnostics outputs for the display of the switching state of the NO circuits via external LEDs or a control.

DIMENSION DIAGRAM



CIRCUIT DIAGRAM



SMI 1001

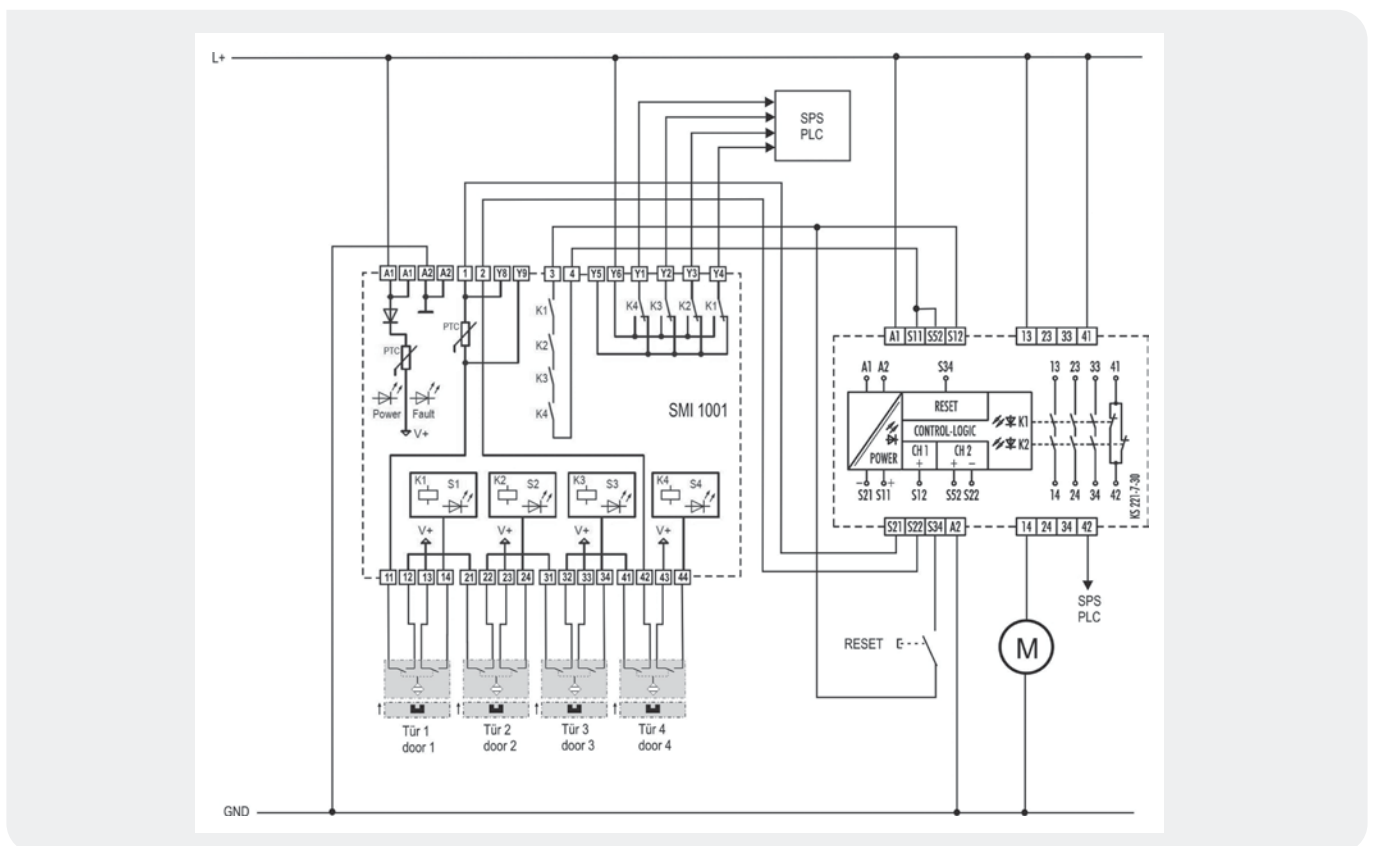
MAGNETIC SWITCH INTERFACE

OVERVIEW OF DEVICES

Type	Rated voltage	Terminals	Part no.	P.U.
SMI 1001	24 V DC	Push-in terminals, fixed	R1.100.4001.0	1

TECHNICAL DATA	
Function	
Function display	1 x LEDs green, 5 x LEDs red
Power supply circuit	
Rated voltage	24 V DC
Rated consumption	1.5 W
Control circuit	11 - 44
Max. cable length	30 m
Output circuit signal outputs Y1 – Y6	
Contact type	NO
Rated switching voltage	24 V DC
Max. switching current	0.5 A
Output circuit 1, 2, 3, 4	
Contact type	NO
Rated switching voltage	24 V DC
Max. switching current	150 mA
General data	
Creepage distances and clearances	according to EN 60664-1
Ambient temperature/ storage temperature	-25 °C - +55 °C / -25 °C - +70 °C
Wire ranges fine-stranded/ solid	0.08 - 2.5 mm ²
or fine-stranded with ferrules	0.08 - 1 mm ²
or fine-stranded with TWIN-ferrule	0.08 - 1.5 mm ²
Weight	0.1 kg
Approvals	cULus

APPLICATION



SERIES SIN

SAFETY SWITCH WITH SEPARATED ACTUATOR AND GUARD LOCKING



SIN 9005 M



SIN 9006 M



SIN 9007 M



APPLICATIONS

- Personnel protection on machines with dangerous machine parts which move after switching off
- Locking of a machine or an automatic process when the guard is open
- Position monitoring of guard and guard locking

FEATURES

- Suitable for locking devices in accordance with EN 14119
- Flexible use with 4 horizontal or 4 vertical actuating directions
- Integrated protection against simple bypassing
- Long service life thanks to dust- and water-proof housing and a broad operating temperature range of up to 70 °C
- Locking force 1,500 N

FUNCTION

The mechanical safety switches in the SIN series are suitable for the secure locking (guard locking) of safety doors until a hazardous machine process has ended.

The safety switches have two independent contact blocks which reflect the position of the actuator on the one hand and the position of the guard locking on the other.

The release of the entry or the shutdown of the machine in case of danger is done by the evaluation of the contact blocks by means of a suitable basic device of the **safe** RELAY series or one of the safety systems **samos**® or **samos**® PRO.

SPRING-ACTUATED LOCKING

The safety switch on the guard is locked automatically when the actuator reaches its end position.

The guard is unlocked by applying a current to the internal electromagnets in the safety switch.

MAGNET-ACTUATED LOCKING

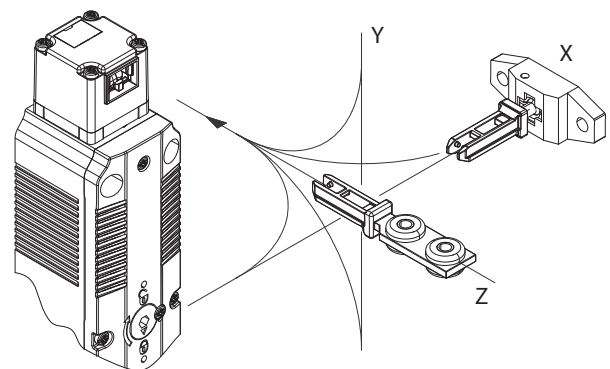
The safety switch on the guard is locked by energizing the internal electromagnet when the actuator reaches its end position.

When the current to the internal electromagnet is switched off, the guard locking is released and the guard can be opened.

VERSATILE INSTALLATION

Thanks to the adjustable actuator head and the large selection of actuators, the safety switch can be used to implement guard locking devices for all applications in machine construction.

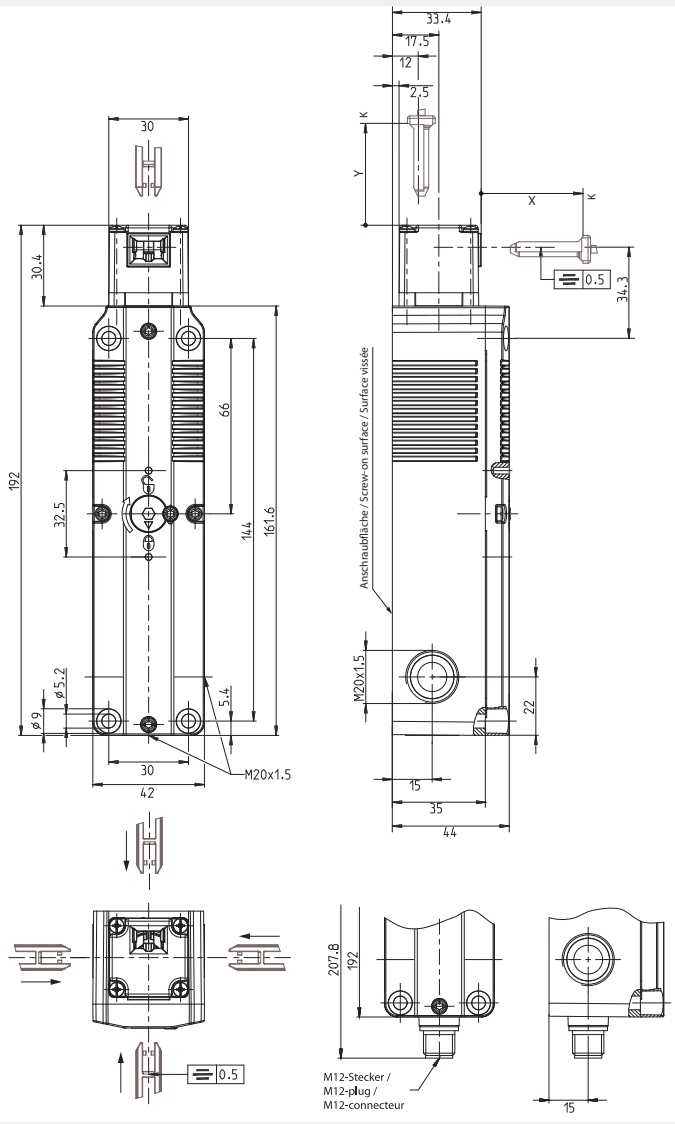
Universal use through 8 different actuating directions and 5 different actuators:

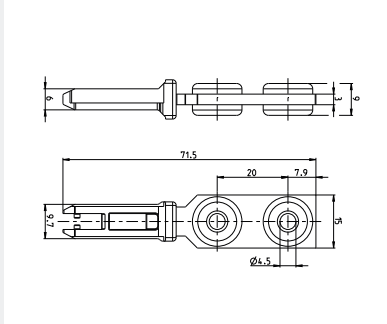


SERIES SIN

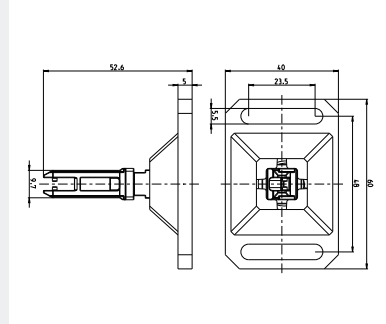
SAFETY SWITCH WITH SEPARATED ACTUATOR AND GUARD LOCKING

TECHNICAL DATA	
Function	
according EN 14119	Safety switch with separated actuator and guard locking
Power supply circuit	
Rated voltage	24 V AC/DC
Continuous output	4.4 VA
Output circuit	
Contact load of conv. thermal current I_{th}	5 A
Application category	AC-15: U_e 230V, I_e 2,5 A
Mechanical life	1×10^6 switching cycles (max. 600 switching cyclesh)
Short-circuit protection	lead fuse 4 A class gL
Mechanical data	
Guard locking force	1500 Nm
Extraction force	> 27 Nm
Approach speed	max. 0,5 m/s
Dimensions (L x W x H)	170 x 42.5 x 51 mm
Mounting	4 x M5
Cable entry point	3 x M20 x 1,5
General data	
Ambient temperature	-25 °C - +70 °C
Wire ranges push-in terminals	1 x 0.5 -1.5 mm ²
Protection degree according to EN 60529	IP 67
Weight	0,35 kg
Standards	EN 60947-1, EN 60947-5-1, EN ISO 13849-1, EN 62061, EN ISO 14119
Approvals	DGUV, c-CSA-us, CCC
Safety related data	
B_{10D} (at DC -13; 24 V; $I_{e2} = 0.1$ A)	2,000,000

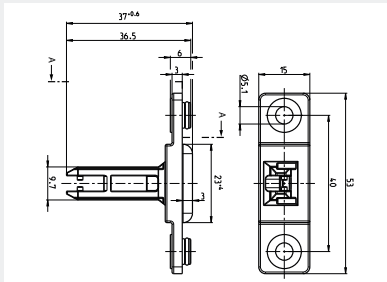




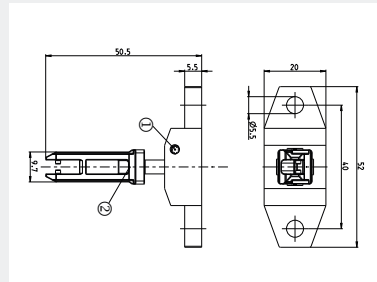
SIN 9001 M



SIN 9002 M



SIN 9003 M



SIN 9004 M

SERIES SIN

SAFETY SWITCH WITH SEPARATED ACTUATOR AND GUARD LOCKING



APPLICATIONS

- Personnel protection on machines with dangerous machine parts which move after switching off
- Locking of a machine or an automatic process when the guard is open
- Position monitoring of guard and guard locking

FEATURES

- Suitable for locking devices in accordance with EN 14119
- Flexible use with 4 horizontal or 4 vertical actuating directions
- Integrated protection against simple bypassing
- Long service life thanks to dust- and water-proof housing and a broad operating temperature range of up to 70 °C
- Locking force 1,500 N

FUNCTION

The mechanical safety switches in the SIN series are suitable for the secure locking (guard locking) of safety doors until a hazardous machine process has ended.

The safety switches have two independent contact blocks which reflect the position of the actuator on the one hand and the position of the guard locking on the other.

SPRING-ACTUATED LOCKING

The safety switch on the guard is locked automatically when the actuator reaches its end position.

The guard is unlocked by applying a current to the internal electromagnets in the safety switch.

MAGNET-ACTUATED LOCKING

The safety switch on the guard is locked by energizing the internal electromagnet when the actuator reaches its end position.

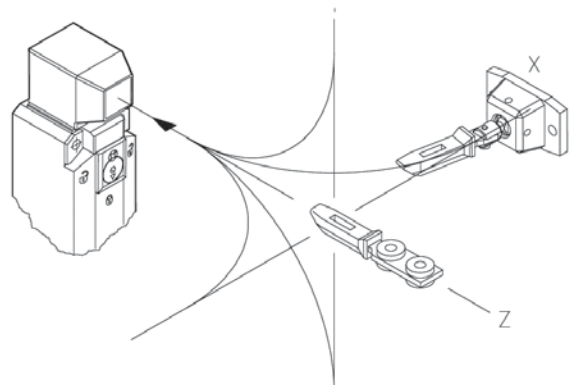
When the current to the internal electromagnet is switched off, the guard locking is released and the guard can be opened.

The release of the entry or the shutdown of the machine in case of danger is done by the evaluation of the contact blocks by means of a suitable basic device of the **safe** RELAY series or one of the safety systems **samos**[®] or **samos**[®] PRO.

VERSATILE INSTALLATION

Thanks to the adjustable actuator head and the large selection of actuators, the safety switch can be used to implement guard locking devices for all applications in machine construction.

Universal use through 8 different actuating directions and 5 different actuators:



SERIES SIN

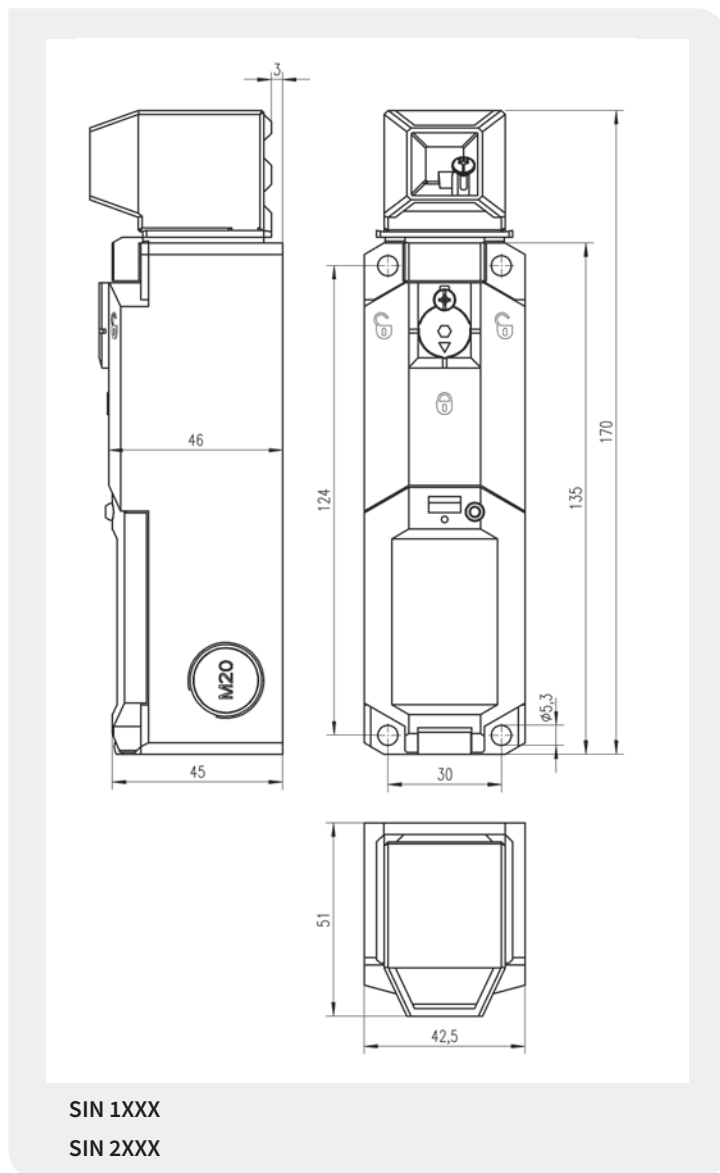
SAFETY SWITCH WITH SEPARATED ACTUATOR AND GUARD LOCKING

TECHNICAL DATA	
Function	
according EN 14119	Safety switch with separated actuator and guard locking
Power supply circuit	
Rated voltage	24 V AC/DC
Continuous output	4.4 VA
Output circuit	
Contact load of conv. thermal current I_{th}	5 A
Application category	AC-15: U_e 230V, I_e 2,5 A
Mechanical life	1×10^6 switching cycles (max. 600 switching cyclesh)
Short-circuit protection	lead fuse 4 A class gL
Mechanical data	
Guard locking force	1500 Nm
Extraction force	> 27 Nm
Approach speed	max. 0,5 m/s
Dimensions (L x W x H)	170 x 42.5 x 51 mm
Mounting	4 x M5
Cable entry point	3 x M20 x 1,5
General data	
Ambient temperature	-25 °C - +70 °C
Wire ranges push-in terminals	1 x 0.5 -1.5 mm ²
Protection degree according to EN 60529	IP 67
Weight	0,35 kg
Standards	EN 60947-1, EN 60947-5-1, EN ISO 13849-1, EN 62061, EN ISO 14119
Approvals	DGUV, c-CSA-us, CCC
Safety related data	
B_{10D} (at DC -13; 24 V; $I_e = 0.1$ A)	2,000,000

SERIES SIN

SAFETY SWITCH WITH SEPARATED ACTUATOR AND GUARD LOCKING

DIMENSIONS DIAGRAMM



OVERVIEW OF DEVICES SAFETY SWITCH

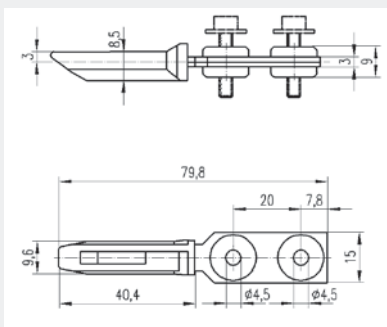
Type *	Locking principle	Contact assignment (actuator + guard locking)	Rated voltage	Additional features	Part. no.	P.U.
SIN 1120	Spring-actuated	2NC + 2NC	24 V AC/DC	Auxiliary release	R1.310.1120.0	1
SIN 1150	Spring-actuated	1NC/1NO + 1NC/1NO	24 V AC/DC	Auxiliary release	R1.310.1150.0	1
SIN 1130	Spring-actuated	2NC + 1NC/1NO	24 V AC/DC	Auxiliary release	R1.310.1130.0	1
SIN 1330	Spring-actuated	2NC + 1NC/1NO	24 V AC/DC	Auxiliary release, LED	R1.310.1330.0	1
SIN 1350	Spring-actuated	1NC/1NO + 1NC/1NO	24 V AC/DC	Auxiliary release, LED	R1.310.1350.0	1
SIN 2120	Magnet-actuated	2NC + 2NC	24 V AC/DC		R1.310.2120.0	1
SIN 2150	Magnet-actuated	1NC/1NO + 1NC/1NO	24 V AC/DC		R1.310.2150.0	1
SIN 2130	Magnet-actuated	2NC + 1NC/1NO	24 V AC/DC		R1.310.2130.0	1

* the associated actuator must be ordered separately

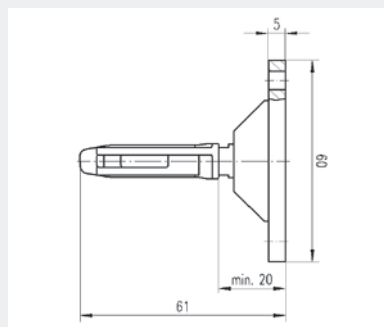
SERIES SIN

ACTUATOR

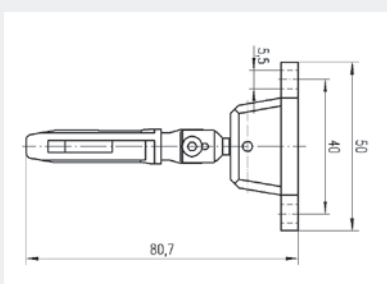
DIMENSIONS DIAGRAMM



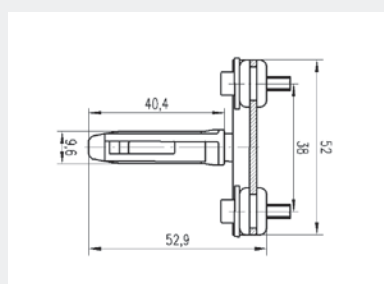
SIN 9001



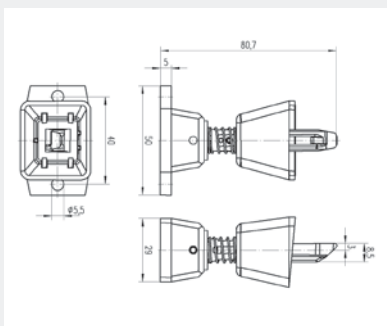
SIN 9004



SIN 9002



SIN 9005



SIN 9003

APPROACH RADII

SIN 9001, 9003, 9005: R min > 400mm

SIN 9004 R min > 350mm

SIN 9002 R min > 150mm

OVERVIEW OF DEVICES ACTUATOR

Type	Actuator	Part. no.	P.U.
SIN 9001	Standard actuator	R1.310.9001.0	1
SIN 9002	Radius actuator	R1.310.9002.0	1
SIN 9003	Radius actuator with dust protection	R1.310.9003.0	1
SIN 9004	Actuator, flexible	R1.310.9004.0	1
SIN 9005	Actuator, transverse	R1.310.9005.0	1

SERIES SMS

SAFETY SWITCH WITH SEPARATED ACTUATOR



SMS 4XXX



SMS 3XXX



SMS 2XXX



APPLICATIONS

- Access protection for operators of machines with dangerous machine parts which move after switching off
- Locking of a machine or an automatic process when the guard is open
- Position monitoring of movable guards

FEATURES

- Flexible use with 2 horizontal or 2 vertical actuating directions
- Protection against simple bypassing in accordance through multiple coding of the actuator
- Long service life thanks to dust- and water-proof housing and a broad operating temperature range of up to 80 °C.
- Increased extraction force up to 30 N
- Easy installation with adjustment via slots and final fixing via round holes

APPLICATIONS

- Access protection for operators of machines with dangerous machine parts which move after switching off
- Locking of a machine or an automatic process when the guard is open
- Position monitoring of movable guards

FEATURES

- Flexible use with 4 horizontal or 4 vertical actuating directions
- Slim design for installation on profile systems and in confined spaces
- Protection against simple bypassing in accordance through multiple coding of the actuator
- Long service life thanks to dust- and water-proof housing and a broad operating temperature range of up to 80 °C
- Increased extraction force up to 50 N

SERIES SMS

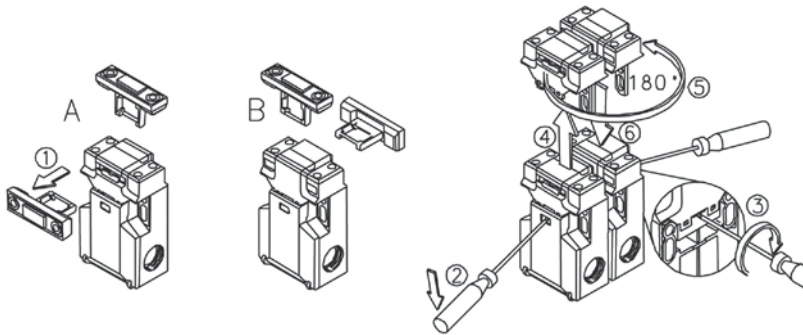
SAFETY SWITCH WITH SEPARATED ACTUATOR

FUNCTION

The mechanical safety switches in the SMS 2xxx, SMS 3xxx and SMS 4xxx series are suitable for the reliable position monitoring of movable guards (EN 60947-5-3).

If the associated guard on the machine is opened, the hazardous machine movement is switched off.

The machine is shut down in a hazardous situation by an analysis of the contacts carried out by a suitable basic device in the safe RELAY or by one of the samos® or samos®PRO safety systems.



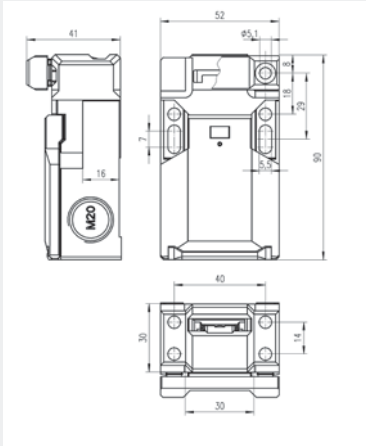
Simple installation and wiring in each application.

TECHNICAL DATA	
Function	according EN 14119
	Safety switch with separated actuator
Power supply circuit	
Max. continuous thermal current I_{th}	SMS 2xxx 10 A
	SMS 3xxx/SMS 4xxx 5 A (contact assignment 1 NC or 2 NC/1 NO)
	SMS 3xxx/SMS 4xxx 10 A (contact assignment 1 NC/1 NO or 2 NC)
Application category	AC-15: 240 V, 1.5 A (contact assignment 1 NC or 2 NC/1 NO)
	AC-15: 240 V, 3 A (contact assignment 1 NC/1 NO or 2 NC)
Mechanical life (B10d)	1 x 10 ⁶ bzw. 1 x 10 ⁵ with increased extraction force
Short-circuit protection	lead fuse 6 A class gL/gG (contact assignment 1 NC or 2 NC/1 NO)
	lead fuse 10 A class gL/gG (contact assignment 1 NC/1 NO)
Mechanical data	
Approach speed	≤ 0,2 m/s
Extraction force	SMS 2xxx 10 N (increased extraction force 50 N)
	SMS 3xxx / SMS 4xxx 10 N (increased extraction force 30 N)
Dimensions (L x W x H)	SMS 2xxx 100 x 31 x 30,5 mm
	SMS 3xxx 75 x 52 x 33 mm
	SMS 4xxx 90 x 52 x 33,5 mm
Mounting	2 x M5
Cable entry point	SMS 2xxx 1 x M20 x 1,5
	SMS 3xxx 3 x M16 x 1,5
	SMS 4xxx 3 x M20 x 1,5
General data	
Ambient temperature	-30°C - +80°C
Wire ranges screw terminals	1 x 0,5 - 1,5 mm ²
Protection degree according to EN 60529	IP 65
Weight	0.15 kg
Standards	EN 60947-1, EN 60947-5-1, DIN EN ISO 14119
Approvals	TÜV, UL, c-CSA-us
Safety related data	
B _{10D} (at DC -13; 24 V; I _{e2} = 0.1 A)	2,000,000 or 200,000 for increased extraction force

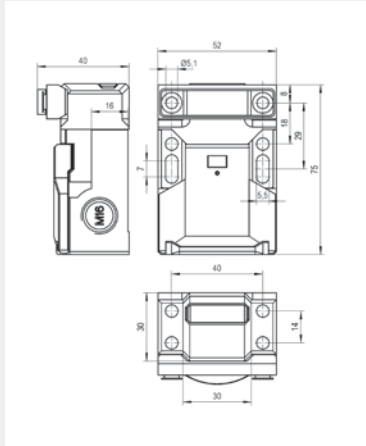
SERIES SMS

SAFETY SWITCH WITH SEPARATED ACTUATOR

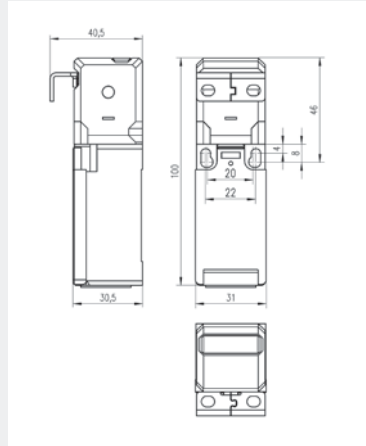
DIMENSIONS DIAGRAMM



SMS 4XXX



SMS 3XXX



SMS 2XXX

OVERVIEW OF DEVICES SAFETY SWITCH

Type	Actuator*	Contact assignment	Extraction force	Part no.	P.U.
SMS 3210	Actuator for increased force	1NC	30 N	R1.320.3210.0	1
SMS 4040	Standard actuator	1NC/1NO	10 N	R1.320.4040.0	1
SMS 4140	Radius actuator	1NC/1NO	10 N	R1.320.4140.0	1
SMS 4020	Standard actuator	2NC	10 N	R1.320.4020.0	1
SMS 4220	Actuator for increased force	2NC	30 N	R1.320.4220.0	1
SMS 4070	Standard actuator	2NC/1NO	10 N	R1.320.4070.0	1
SMS 4270	Actuator for increased force	2NC/1NO	30 N	R1.320.4270.0	1
SMS 4170	Radius actuator	2NC/1NO	10 N	R1.320.4170.0	1
SMS 2040	Standard actuator 2	1NC/1NO	10 N	R1.320.2040.0	1
SMS 2020	Standard actuator 2	2NC	10 N	R1.320.2020.0	1
SMS 2220	Actuator for increased force	2NC	50 N	R1.320.2220.0	1
SMS 2070	Standard actuator 2	2NC/1NO	10 N	R1.320.2070.0	1
SMS 2270	Actuator for increased force	2NC/1NO	50 N	R1.320.2270.0	1

* The relevant actuator is included in the scope of delivery

SERIES SMS

ACTUATOR



SMS 9001



SMS 9002

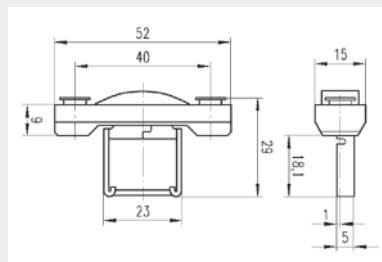


SMS 9003

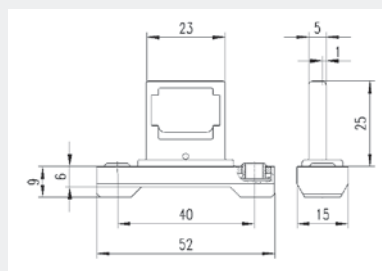


SMS 9004

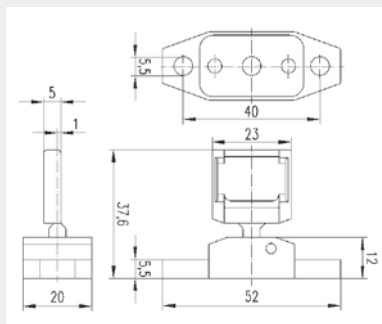
DIMENSIONS DIAGRAMM



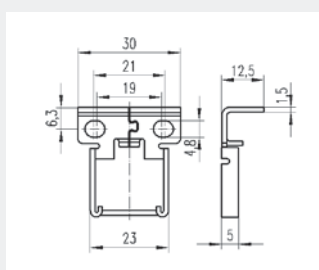
SMS 9001



SMS 9002



SMS 9003



SMS 9004

OVERVIEW OF DEVICES ACTUATOR

Type	Actuator	Part no.	P.U.
SMS 9001	Standard actuator	R1.320.9001.0	1
SMS 9002	Actuator for increased force	R1.320.9002.0	1
SMS 9003	Radius actuator	R1.320.9003.0	1
SMS 9004	Standard actuator 2	R1.320.9004.0	1

SERIES SLS

POSITION SWITCH



APPLICATIONS

- Monitoring of doors, hoods or flaps
- Position detection of moving machine parts
- Object detection in conveying systems
- End position monitoring of components
- Position detection of roller doors
- Monitoring of sliding doors

FEATURES

- Position switch to EN 50047
- Optimized contact safety: 1 mA at 24 V DC
- Tool-free rotation and replacement of actuating device
- Actuating device from metal
- Protection rating IP66 and IP67
- Self-cleaning contacts
- Mechanical service life: up to 30 million switching cycles
- Simple adjustment and wiring for any application

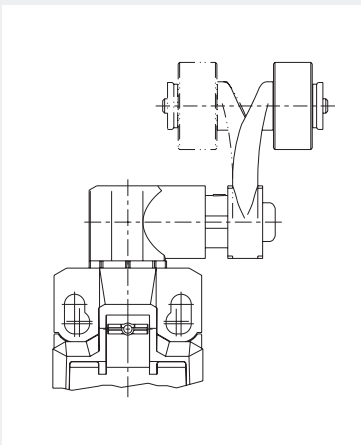
FUNCTION

SLS series mechanical safety switches are suitable for the safe position monitoring of movable guards (EN 60947-5-3).

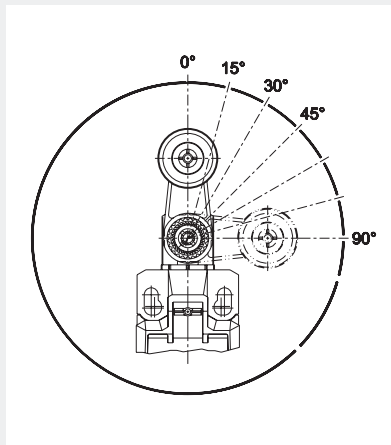
If the corresponding guard on a machine is opened, the hazardous machine movement is stopped.

In a hazardous situation, the machine is shut down when the contacts are evaluated by a suitable safe RELAY basic device or by either the samos® or samos® PRO safety system.

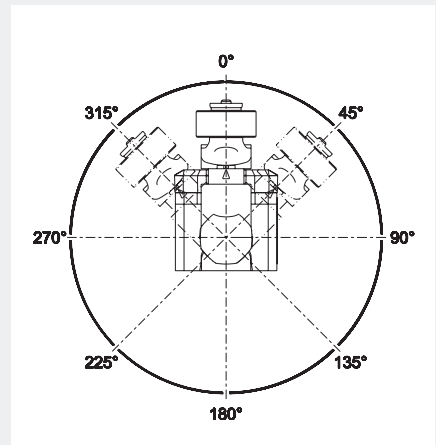
ROTATING LEVER



ADJUSTABLE LEVER



ADJUSTABLE ACTUATING DEVICE



SERIES SLS

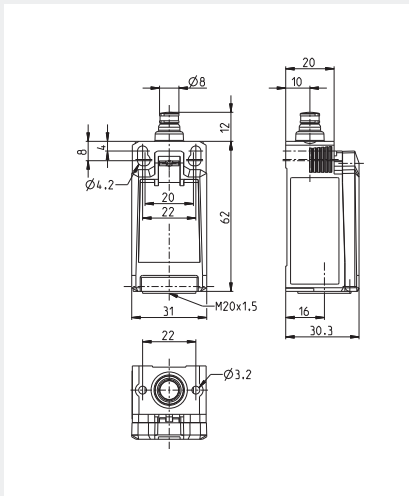
POSITION SWITCH

TECHNICAL DATA			
Function			
to EN 14119	Position switch		
Output circuit			
Rated operating voltage	240 V AC / 24 V DC		
Max. thermal continuous current I_{th}	5 A		
Min. continuous current (24 VDC)	1 mA		
Utility category	AC-15: 230 V, 3 A DC-13: 24 V, 4 A		
Mechanical life	10 x 10 ⁶		
Short-circuit protective device	4 A class gG fuse		
Mechanical data			
Housing	Thermoplastic GV (UL94-V0)		
Actuation speed	0.06 m/min ≤ V ≤ 30 m/min		
Operating cycles	≤ 60 / min		
Mounting	2 x M5		
Cable entry	1 x M20 x 1.5		
General data			
Operating ambient temperature	-30°C - +75°C		
Connection cross sections of screw terminal	1 x 0.34 - 1.5 mm ²		
Protection class as per EN 60529	IP66, IP67 / Type 4X		
Weight	≈ 0.06 kg		
Standards	EN 60947-1, EN 60947-5-1		
Approvals			
Safety related data	Part number	NC	NO
B _{10D} (at DC -13; 24 V; I _{e2} = 0.1 A)	R1.340.5150.0	20.000.000	1.000.000
B _{10D} (at DC -13; 24 V; I _{e2} = 0.1 A)	R1.340.6230.0	30.000.000	1.000.000
B _{10D} (at DC -13; 24 V; I _{e2} = 0.1 A)	R1.340.6350.0	30.000.000	1.000.000
B _{10D} (at DC -13; 24 V; I _{e2} = 0.1 A)	R1.340.6330.0	30.000.000	1.000.000
B _{10D} (at DC -13; 24 V; I _{e2} = 0.1 A)	R1.340.6550.0	30.000.000	1.000.000
B _{10D} (at DC -13; 24 V; I _{e2} = 0.1 A)	R1.340.6530.0	30.000.000	1.000.000
B _{10D} (at DC -13; 24 V; I _{e2} = 0.1 A)	R1.340.6650.0	20.000.000	1.000.000
B _{10D} (at DC -13; 24 V; I _{e2} = 0.1 A)	R1.340.6630.0	20.000.000	1.000.000
B _{10D} (at DC -13; 24 V; I _{e2} = 0.1 A)	R1.340.6950.0	20.000.000	1.000.000
B _{10D} (at DC -13; 24 V; I _{e2} = 0.1 A)	R1.340.6930.0	20.000.000	1.000.000

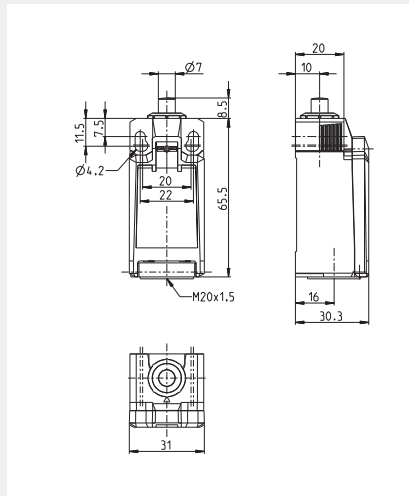
SERIES SLS

POSITION SWITCH

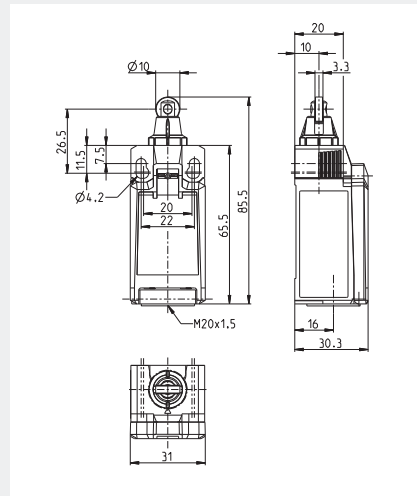
DIMENSIONS



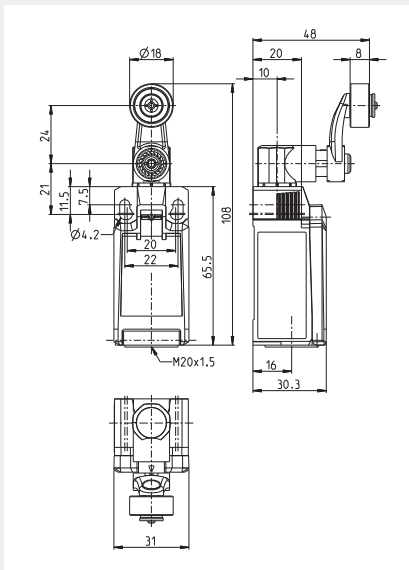
SLS 51XX



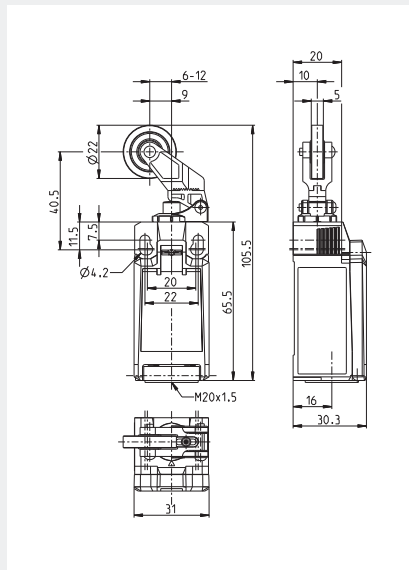
SLS 62XX



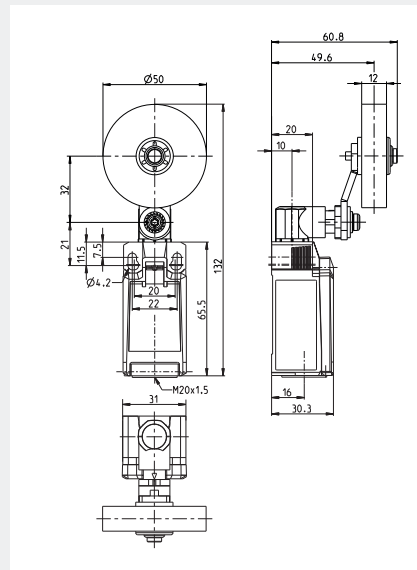
SLS 63XX



SLS 65XX



SLS 66XX



SLS 69XX

OVERVIEW OF DEVICES

Type	Function	Actuator	Contacts	Part number	P.U.
SLS 5150	Position switch	Plunger, plastic	Snap-action contact, 1 NC / 1 NO	R1.340.5150.0	1
SLS 5130	Position switch	Plunger, plastic	Snap-action contact, 2 NC	R1.340.5130.0	1
SLS 6250	Position switch	Plunger, metal	Snap-action contact, 1 NC / 1 NO	R1.340.6250.0	1
SLS 6230	Position switch	Plunger, metal	Snap-action contact, 2 NC	R1.340.6230.0	1
SLS 6350	Roller switch	Roller, plastic	Snap-action contact, 1 NC / 1 NO	R1.340.6350.0	1
SLS 6330	Roller switch	Roller, plastic	Snap-action contact, 2 NC	R1.340.6330.0	1
SLS 6550	Roller switch	Roller, plastic	Snap-action contact, 1 NC / 1 NO	R1.340.6550.0	1
SLS 6530	Roller switch	Roller, plastic	Snap-action contact, 2 NC	R1.340.6530.0	1
SLS 6650	Roller switch	Roller, plastic	Snap-action contact, 1 NC / 1 NO	R1.340.6650.0	1
SLS 6630	Roller switch	Roller, plastic	Snap-action contact, 2 NC	R1.340.6630.0	1
SLS 6950	Roller switch	Roller, rubber	Snap-action contact, 1 NC / 1 NO	R1.340.6950.0	1
SLS 6930	Roller switch	Roller, rubber	Snap-action contact, 2 NC	R1.340.6930.0	1

GLOSSARY



Emergency stop monitoring
Floating contacts



Protective gate monitoring
Floating contacts



Position monitoring
Magnetic switch



Safety light grid / -light curtain
acc. to EN 61496 BWS Type 4 / Type 2



Two-hand control
according to EN 574



Controlled Stop
according to EN 60204-1 stop category 1



Standstill and motion monitoring



Safety shut-off mat monitoring
(4-wire principle, short-circuiting)



Valve position monitoring



Contact expansion



Machine building industry



Press



Elevator systems
in accord. with EN 81-1



Combustion plants
according to EN 50156-1



Process technology
according to IEC 61511



Finger protection



Hand protection



Arm protection



Access protection



Personal protection



Single-channel input circuit
1 NC contact or semiconductor



Two-channel input circuit
2 NC contacts or semiconductors



Two-channel input circuit, antivalent
1 NO / 1 NC contacts or semiconductors



Cross monitoring
between two input circuits



Synchro-check
between two input circuits



Safe Start
Start command is accepted only when the input circuits are closed



Combi-reset
Automatic start possible after voltage failure, based on the risk analysis



Automatic Reset
after application of the voltage and/or after safety request



Manual Reset
in the case of a rising edge at the reset input



Reset button monitoring
in the case of a falling edge at the reset input



Contacts (NO/NC)
safe semiconductor outputs



Alarm contacts



Safe changeover contacts



Safe semi conductor outputs



Safe OFF-delay



Safe ON-delay



Monoflop
for rapid tactile applications



Reset of time lapse
for OFF-delayed contacts



Expanded diagnostics





INFO TO GO

All brochures from Wieland Electric are available for download on our website.



<https://www.wieland-electric.com/en/support/downloads>

Interesting for you

SAMOS® PRO COMPACT

Compact safety

Part No. 0881.1



SAFETY SERVICE

Training + Services for the safety of your machines

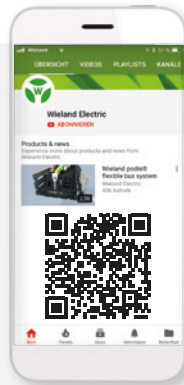
Part No. 0870.1



Wieland on YouTube

See our solutions in motion

<https://www.youtube.com/user/WielandElectric>



Technical consultation

Industry Solutions

Email: industry@wieland-electric.com

Worldwide: <https://wie.li/contactinternational>



ONLY ONE TAP AWAY

Our Wieland E-Shop

Over 25,000 products - anytime

In our online store you will find all the information about our products, prices, and technical data.

Order easily and conveniently online, and check availability.

<https://eshop.wieland-electric.com>



Scan QR code – view products in the E-Shop.





wieland

HEADQUARTERS

Wieland Electric GmbH
Brennerstraße 10 – 14
96052 Bamberg · Germany

Phone +49 951 9324-0
Fax +49 951 9324-198
info@wieland-electric.com



0860.1 Sch 04/24

Represented in over 70 countries worldwide:

www.wieland-electric.com